



4700 W. 160th St.
Cleveland, OH 44135
PH:800-321-9532
FX:800-321-9535
www.oatey.com

TECHNICAL SPECIFICATION

**FIRE – RATED ICE MAKER
OUTLET BOXES**



Engineering Specification: Oatey Fire-Rated Ice Maker Outlet Boxes can be used in applications requiring supply valves recessed into a fire-rated wall. Unit shall allow for the mounting of supply lines from top or bottom on the left or right side. Unit shall be available with ¼ turn brass ball valves in configurations with and without water hammer arrestors listed to ASSE 1010. Adjustable metal support bracket shall be installed on top and bottom of unit for support in stud wall.

Job Reference

Materials:

- **Outlet Box:** Bulk Molding Compound (BMC)
Thermoset fire-rated plastic
- **Adjustable Mounting Bracket:** Galvanized Steel
- **Box Pad:** UL Classified FyreWrap Insulation Material
FyreWrap is a registered trademark of Unifrax LLC.

LISTINGS and APPROVALS:

ASTM E814

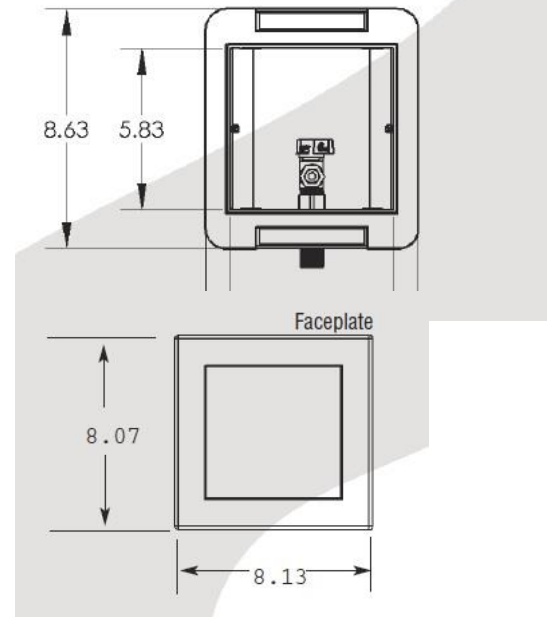
- 1-hour wall: 60 min. (F)
- 1-hour wall: 32 min. (T)
- 2-hour wall: 120 min. (F)
- 2-hour wall: 85 min. (T)

CAN/ULC S115

- 1-hour wall: 60 min. (F/FH)
- 1-hour wall: 32 min. (FT/FTH)
- 2-hour wall: 120 min. (F/FH)
- 2-hour wall: 85 min. (FT/FTH)

Adjustable mounting Bracket:

- Use nails or screws to secure into stud wall
- **Faceplate:** Snap –on faceplate accommodates up to Two layers of 5/8" gypsum



✓	Product No.	Description	PACK	CARTON WEIGHT
	38486	¼ Turn Brass Ball Valve, Copper Sweat, Standard Pack	6	9
	38487	¼ Turn Brass Ball Valve, CPVC, Standard Pack	6	9
	38488	¼ Turn Brass Ball Valve, ½" ASTM F1807 PEX, Standard Pack	6	9
	38489	¼ Turn Brass Ball Valve, ½" ASTM F1960 PEX, Standard Pack	6	9
	38490	¼ Turn Brass Ball Valve with Water Hammer Arrestor, Copper Sweat, Standard Pack	6	15
	38491	¼ Turn Brass Ball Valve with Water Hammer Arrestor, CPVC, Standard Pack	6	15
	38492	¼ Turn Brass Ball Valve with Water Hammer Arrestor, ½" ASTM F1807 PEX, Standard Pack	6	15
	38493	¼ Turn Brass Ball Valve with Water Hammer Arrestor, ½" ASTM F1960 PEX, Standard Pack	6	15
	39117	¼ Turn Brass Ball Valve-Low Lead-Copper Sweat- Standard Pack	6	25
	39118	¼ Turn Brass Ball Valve-Low Lead- CPVC- Standard Pack	6	25
	39119	¼ Turn Brass Ball Valve-Low Lead-1/2" ASTM F1807 PEX- Standard Pack	6	25
	39120	¼ Turn Brass Ball Valve-Low Lead- ½" ASTM F1960 PEX- Standard Pack	6	25
	39121	¼ Turn Brass Hammer Ball Valve-Low Lead- Copper Sweat Standard Pack	6	28
	39122	¼ Turn Brass Hammer Ball Valve-Low Lead- CPVC Standard Pack	6	28
	39123	¼ Turn Brass Hammer Ball Valve-Low Lead- ½" ASTM F1807 PEX- Standard Pack	6	28
	39124	¼ Turn Brass Hammer Ball Valve-Low Lead- ½" ASTM F1960 PEX- Standard Pack	6	28

Accessories				
✓	Product No.	Description	PACK	CARTON WEIGHT
	38495	Plain Fire Ice Maker Outlet Box, without faceplate or brackets	6	3
	38497	Ice Maker Outlet Box Faceplate	6	1
	38498	Adjustable Metal Support Bracket, 2-pieces	12	8