



4700 W. 160th St.  
Cleveland, OH 44135  
PH: 800-321-9532  
FX: 800-321-9535  
www.oatey.com

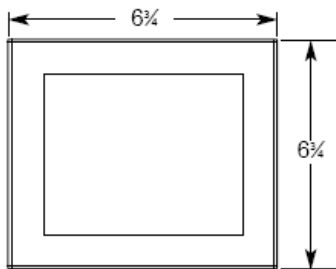
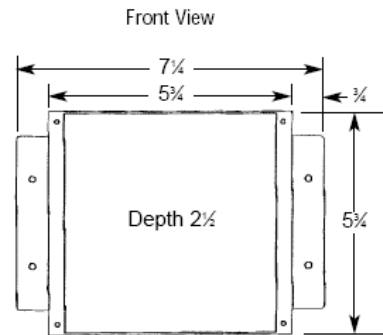
**TECHNICAL SPECIFICATION**

**METAL  
ICE MAKER BOX**

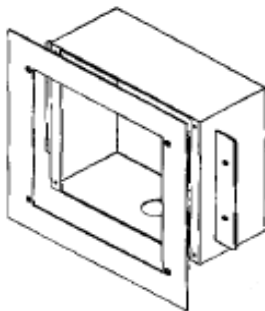


**Engineering Specification:** Oatey Metal Ice Maker boxes can be used in commercial or residential applications which require supply valves recessed into the wall. Box is made of galvanized steel with powder coat white finish. Metal box has flame spread rating 94 (per UL) and 94 HB (per ASTM).

**Job Reference**



Faceplate



(All dimensions in inches)

- ◆ All metal ice maker boxes are shipped 1 per carton
- ◆ Box made of 20 gauge steel
- ◆ Faceplate made of 28 gauge steel
- ◆ Nail support brackets
- ◆ Screw-on faceplate frame
- ◆ Valves comply with requirements of NSF Standard 61, Section 9
- ◆ Valves meet ASME A112.18.1
- ◆ Water Hammer Arrestor complies with ASSE Standard 1010

✓	Product No.	Description	PACK	CARTON WEIGHT
	38687	Plain Box – No Valves – Standard Pack	1	3 lbs.
	38689	1/4" Turn Brass Ball Valve – Copper Sweat – Standard Pack	1	3 lbs.
	38688	1/4" Turn Brass Ball Hammer Valve – Copper Sweat – Standard Pack	1	4 lbs.
	39141	Metal 1/4" Turn, Copper, Low Lead- Standard Pack	1	5 lbs.
	39140	Metal 1/4" Turn, Copper, Hammer, Low Lead – Standard Pack	1	
<b>Accessories</b>				
	38686	Metal Faceplate for Metal IMB	1	1 lbs.



IAPMO Listed

Data is subject to manufacturing tolerances.