



4700 W. 160th St.  
Cleveland, Ohio 44135  
Ph: (800) 321-9532  
Fax: (800) 321-9535  
www.oatey.com

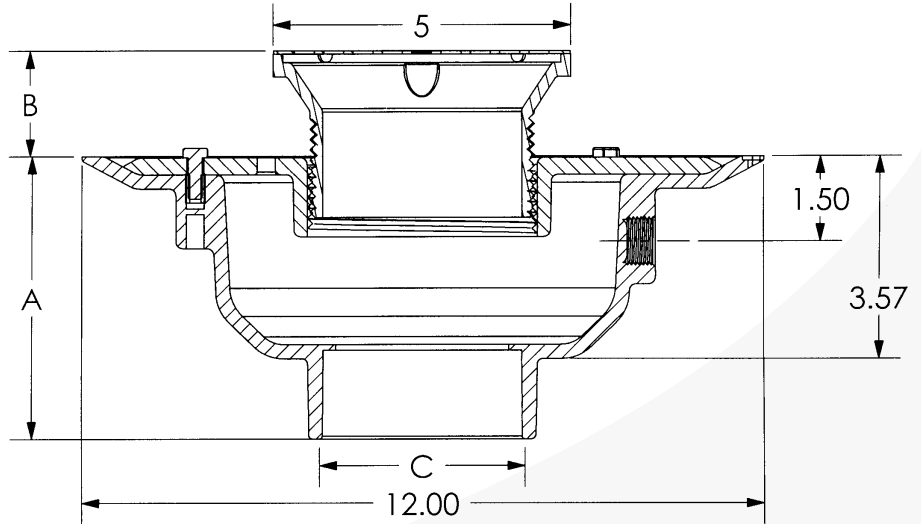
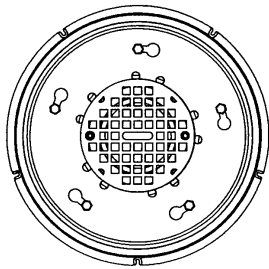
## 72000 Series PVC Adjustable Commercial Drain PVC Barrel With 5" Round Grate



### SUBMITTAL SPECIFICATION

**Engineering Specification:** Oatey commercial grade floor drains are used for general service in restaurants, restrooms and other commercial applications where traffic is expected. Barrel assembly is completely adjustable to meet the finished floor height.

Job Reference



(All dimensions in inches)

- Barrel diameter is 3-1/2 in. IPS thread.
- Primer tap knock-out is 1/2 in. FIP thread.

✓	Socket Size (C)	Base Material	Grate Finish	Part Number
	2 in.	PVC	Stainless	72012
	2 in.	PVC	Brass	72022
	2 in.	PVC	Nickel	72052
	2 in.	PVC	Chrome	72082
	3 in.	PVC	Stainless	72013
	3 in.	PVC	Brass	72023
	3 in.	PVC	Nickel	72053
	3 in.	PVC	Chrome	72083
	4 in.	PVC	Stainless	72014
	4 in.	PVC	Brass	72024
	4 in.	PVC	Nickel	72054
	4 in.	PVC	Chrome	72084
	6 in.	PVC	Stainless	72016
	6 in.	PVC	Brass	72026
	6 in.	PVC	Nickel	72056
	6 in.	PVC	Chrome	72086

	Dimensional Data		
	A	B	C
2 in.*	5.25 in.	1.00– 3.75 in.	2 in. Hub
3 in.	5.00 in.	1.00– 3.75 in.	3 in. Hub
4 in.	5.25 in.	1.00– 3.75 in.	4 in. Hub
6 in.	6.00 in.	1.00– 3.75 in.	6 in. Hub

\*2 in. base includes 3 in. x 2 in. bushing.

Grate Properties		
Finish	Open Area	Load*
300 Series Stainless Steel	6.84 in. <sup>2</sup>	Light
Brass	5.47 in. <sup>2</sup>	Medium
Nickel	5.47 in. <sup>2</sup>	Medium
Chrome	5.47 in. <sup>2</sup>	Medium

\*Load is defined by ASME A112.21.1M.  
Light Duty – Safe live load under 2000 lbs.  
Medium Duty – Safe live load between 2000 lbs. and 4999 lbs.



4700 W. 160th St.  
Cleveland, Ohio 44135  
Ph: (800) 321-9532  
Fax: (800) 321-9535  
www.oatey.com

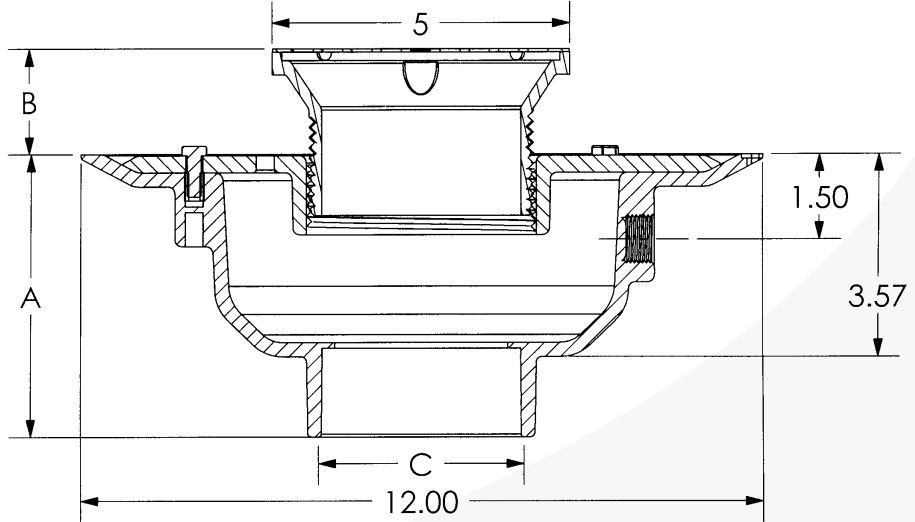
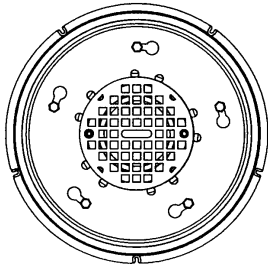
**SUBMITTAL SPECIFICATION**

**82000 Series  
ABS Adjustable Commercial Drain  
PVC Barrel With 5" Round Grate**



**Engineering Specification:** Oatey commercial grade floor drains are used for general service in restaurants, restrooms and other commercial applications where traffic is expected. Barrel assembly is completely adjustable to meet the finished floor height.

Job Reference



(All dimensions in inches)

- Barrel diameter is 3-1/2 in. IPS thread.
- Primer tap knock-out is 1/2 in. FIP thread.

✓	Socket Size (C)	Base Material	Grate Finish	Part Number
	2 in.	ABS	Stainless	82012
	2 in.	ABS	Brass	82022
	2 in.	ABS	Nickel	82052
	2 in.	ABS	Chrome	82082
	3 in.	ABS	Stainless	82013
	3 in.	ABS	Brass	82023
	3 in.	ABS	Nickel	82053
	3 in.	ABS	Chrome	82083
	4 in.	ABS	Stainless	82014
	4 in.	ABS	Brass	82024
	4 in.	ABS	Nickel	82054
	4 in.	ABS	Chrome	82084
	6 in.	ABS	Stainless	82016
	6 in.	ABS	Brass	82026
	6 in.	ABS	Nickel	82056
	6 in.	ABS	Chrome	82086

	Dimensional Data		
	A	B	C
2 in.*	5.25 in.	1.00– 3.75 in.	2 in. Hub
3 in.	5.00 in.	1.00– 3.75 in.	3 in. Hub
4 in.	5.25 in.	1.00– 3.75 in.	4 in. Hub
6 in.	6.00 in.	1.00– 3.75 in.	6 in. Hub

\*2 in. base includes 3 in. x 2 in. bushing.

Grate Properties		
Finish	Open Area	Load*
300 Series Stainless Steel	6.84 in. <sup>2</sup>	Light
Brass	5.47 in. <sup>2</sup>	Medium
Nickel	5.47 in. <sup>2</sup>	Medium
Chrome	5.47 in. <sup>2</sup>	Medium

\*Load is defined by ASME A112.21.1M.  
Light Duty – Safe live load under 2000 lbs.  
Medium Duty – Safe live load between 2000 lbs. and 4999 lbs.