



4700 W. 160th St.  
Cleveland, Ohio 44135  
Ph: (800) 321-9532  
Fax: (800) 321-9535  
www.oatey.com

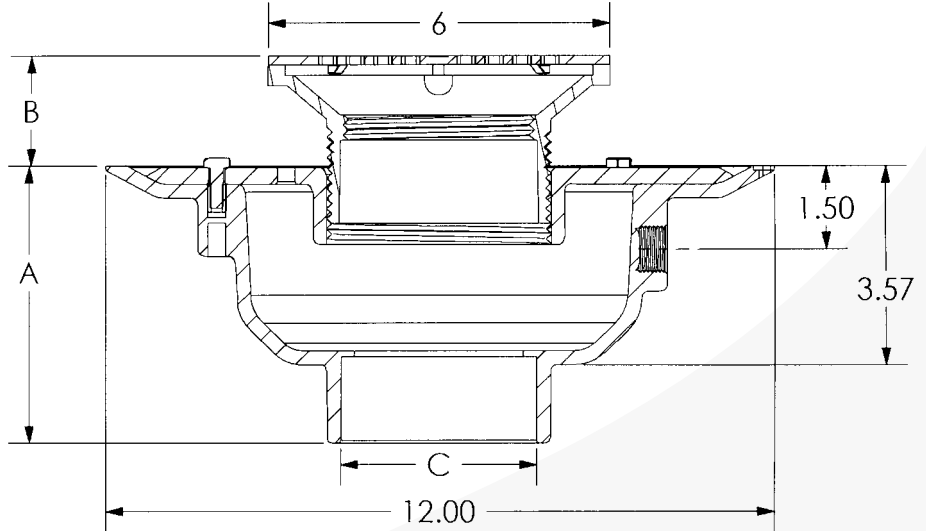
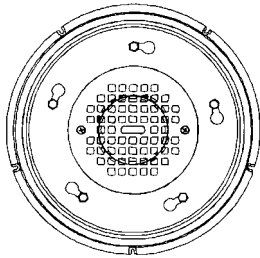
## 72000 Series PVC Adjustable Commercial Drain PVC Barrel With 6" Round Grate



### SUBMITTAL SPECIFICATION

**Engineering Specification:** Oatey commercial grade floor drains are used for general service in restaurants, restrooms and other commercial applications where traffic is expected. Barrel assembly is completely adjustable to meet the finished floor height.

Job Reference



(All dimensions in inches)

- Barrel diameter is 3-1/2 in. IPS thread.
- Primer tap knock-out is 1/2 in. FIP thread.

✓	Socket Size (C)	Base Material	Grate Finish	Part Number
	2 in.	PVC	Stainless	72112
	2 in.	PVC	Brass	72122
	2 in.	PVC	Nickel	72152
	2 in.	PVC	Chrome	72182
	3 in.	PVC	Stainless	72113
	3 in.	PVC	Brass	72123
	3 in.	PVC	Nickel	72153
	3 in.	PVC	Chrome	72183
	4 in.	PVC	Stainless	72114
	4 in.	PVC	Brass	72124
	4 in.	PVC	Nickel	72154
	4 in.	PVC	Chrome	72184
	6 in.	PVC	Stainless	72116
	6 in.	PVC	Brass	72126
	6 in.	PVC	Nickel	72156
	6 in.	PVC	Chrome	72186

	Dimensional Data		
	A	B	C
2 in.*	5.25 in.	1.00 – 3.75 in.	2 in. Hub
3 in.	5.00 in.	1.00 – 3.75 in.	3 in. Hub
4 in.	5.25 in.	1.00 – 3.75 in.	4 in. Hub
6 in.	6.00 in.	1.00 – 3.75 in.	6 in. Hub

\*2 in. base includes 3 in. x 2 in. bushing.

Grate Properties		
Finish	Open Area	Load*
300 Series Stainless Steel	7.10 in. <sup>2</sup>	Light
Brass	7.10 in. <sup>2</sup>	Medium
Nickel	7.10 in. <sup>2</sup>	Medium
Chrome	7.10 in. <sup>2</sup>	Medium

\*Load is defined by ASME A112.21.1M.  
Light Duty – Safe live load under 2000 lbs.  
Medium Duty – Safe live load between 2000 lbs. and 4999 lbs.



4700 W. 160th St.  
Cleveland, Ohio 44135  
Ph: (800) 321-9532  
Fax: (800) 321-9535  
www.oatey.com

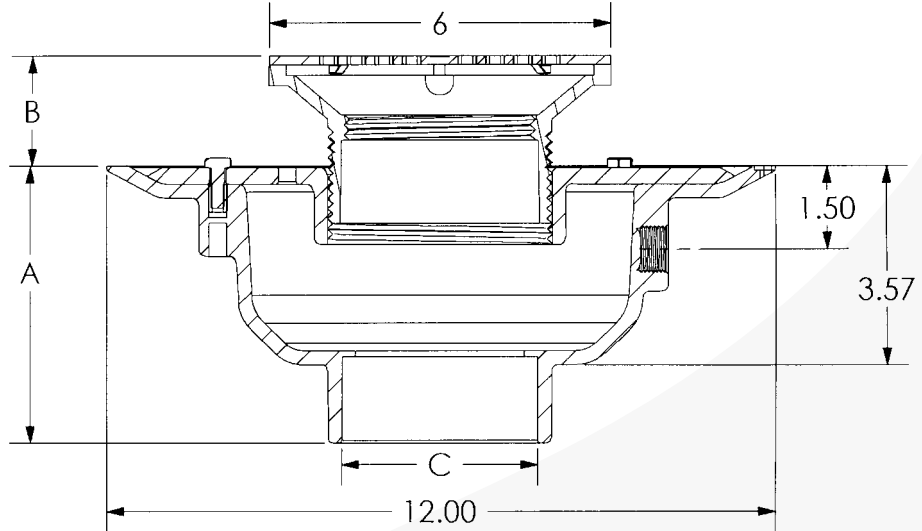
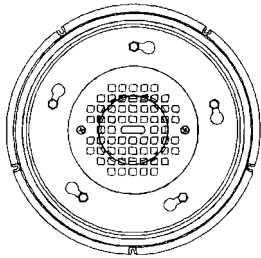
## 82000 Series ABS Adjustable Commercial Drain PVC Barrel With 6" Round Grate



### SUBMITTAL SPECIFICATION

**Engineering Specification:** Oatey commercial grade floor drains are used for general service in restaurants, restrooms and other commercial applications where traffic is expected. Barrel assembly is completely adjustable to meet the finished floor height.

Job Reference



(All dimensions in inches)

- Barrel diameter is 3-1/2 in. IPS thread.
- Primer tap knock-out is 1/2 in. FIP thread.

✓	Socket Size (C)	Base Material	Grate Finish	Part Number
	2 in.	ABS	Stainless	82112
	2 in.	ABS	Brass	82122
	2 in.	ABS	Nickel	82152
	2 in.	ABS	Chrome	82182
	3 in.	ABS	Stainless	82113
	3 in.	ABS	Brass	82123
	3 in.	ABS	Nickel	82153
	3 in.	ABS	Chrome	82183
	4 in.	ABS	Stainless	82114
	4 in.	ABS	Brass	82124
	4 in.	ABS	Nickel	82154
	4 in.	ABS	Chrome	82184
	6 in.	ABS	Stainless	82116
	6 in.	ABS	Brass	82126
	6 in.	ABS	Nickel	82156
	6 in.	ABS	Chrome	82186

	Dimensional Data		
	A	B	C
2 in.*	5.25 in.	1.00 – 3.75 in.	2 in. Hub
3 in.	5.00 in.	1.00 – 3.75 in.	3 in. Hub
4 in.	5.25 in.	1.00 – 3.75 in.	4 in. Hub
6 in.	6.00 in.	1.00 – 3.75 in.	6 in. Hub

\*2 in. base includes 3 in. x 2 in. bushing.

Grate Properties		
Finish	Open Area	Load*
300 Series Stainless Steel	7.10 in. <sup>2</sup>	Light
Brass	7.10 in. <sup>2</sup>	Medium
Nickel	7.10 in. <sup>2</sup>	Medium
Chrome	7.10 in. <sup>2</sup>	Medium

\*Load is defined by ASME A112.21.1M.

Light Duty – Safe live load under 2000 lbs.

Medium Duty – Safe live load between 2000 lbs. and 4999 lbs.