



4700 W. 160th St.
Cleveland, Ohio 44135
Ph: (800) 321-9532
Fax: (800) 321-9535
www.oatey.com

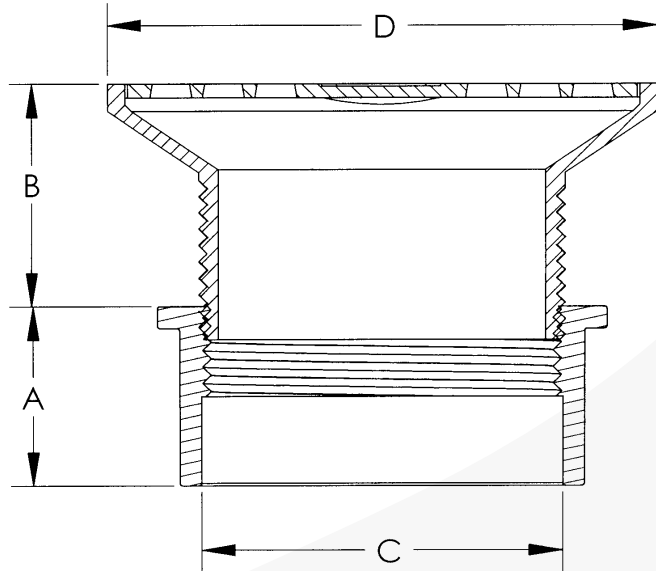
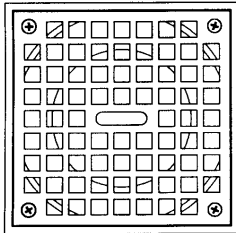
72000 Series PVC Adjustable General Purpose Drain Cast Barrel With Square Grate In Square Top



SUBMITTAL SPECIFICATION

Engineering Specification: Oatey adjustable general purpose floor drains are used for general service in restaurants, restrooms and other commercial applications where traffic is expected. Barrel assembly is completely adjustable to meet the finished floor height.

Job Reference



(All dimensions in inches)

- Barrel diameter is 3-1/2 in. IPS thread.
- Primer tap knock-out is 1/2 in. FIP thread.

✓	Socket Size (C)	Base Material	Barrel/Grate Finish	Grate Size	Part Number
	3 or 4 in. Pipe Fit	PVC	Nickel	4 in.	72217
	3 or 4 in. Pipe Fit	PVC	Nickel	5 in.	72237
	3 or 4 in. Pipe Fit	PVC	Nickel	6 in.	72257
	3 or 4 in. Pipe Fit	PVC	Chrome	4 in.	72227
	3 or 4 in. Pipe Fit	PVC	Chrome	5 in.	72247
	3 or 4 in. Pipe Fit	PVC	Chrome	6 in.	72267
	4 in. Pipe Fit	PVC	Nickel	4 in.	72218
	4 in. Pipe Fit	PVC	Nickel	5 in.	72238
	4 in. Pipe Fit	PVC	Nickel	6 in.	72258
	4 in. Pipe Fit	PVC	Chrome	4 in.	72228
	4 in. Pipe Fit	PVC	Chrome	5 in.	72248
	4 in. Pipe Fit	PVC	Chrome	6 in.	72268
	4 in. Hub Fit	PVC	Nickel	4 in.	72219
	4 in. Hub Fit	PVC	Nickel	5 in.	72239
	4 in. Hub Fit	PVC	Nickel	6 in.	72259
	4 in. Hub Fit	PVC	Chrome	4 in.	72229
	4 in. Hub Fit	PVC	Chrome	5 in.	72249
	4 in. Hub Fit	PVC	Chrome	6 in.	72269

	Dimensional Data			
	A	B	C	D
3 in.	4.75 in.	1.00 – 3.75 in.	3 in. Hub, 4 in. Pipe	4.00, 5.00 or 6.00 in.
4 in.	5.00 in.	1.00 – 3.75 in.	4 in. Pipe	4.00, 5.00 or 6.00 in.
4 in.	2.00 in.	1.00 – 3.75 in.	4 in. Hub	4.00, 5.00 or 6.00 in.

Grate Properties			
Size	Finish	Open Area	Load*
4 in.	Nickel	5.94 in. ²	Medium
4 in.	Chrome	5.94 in. ²	Medium
5 in.	Nickel	10.26 in. ²	Light
5 in.	Chrome	10.26 in. ²	Light
6 in.	Nickel	13.49 in. ²	Light
6 in.	Chrome	13.49 in. ²	Light

*Load is defined by ASME A112.21.1M.
Light Duty – Safe live load under 2000 lbs.
Medium Duty – Safe live load between 2000 lbs. and 4999 lbs.

Primer tap knock-out option available on 3" or 4" Pipe Fit and 4" Pipe Fit bases. 4" Hub Fit base does not include primer tap.



4700 W. 160th St.
Cleveland, Ohio 44135
Ph: (800) 321-9532
Fax: (800) 321-9535
www.oatey.com

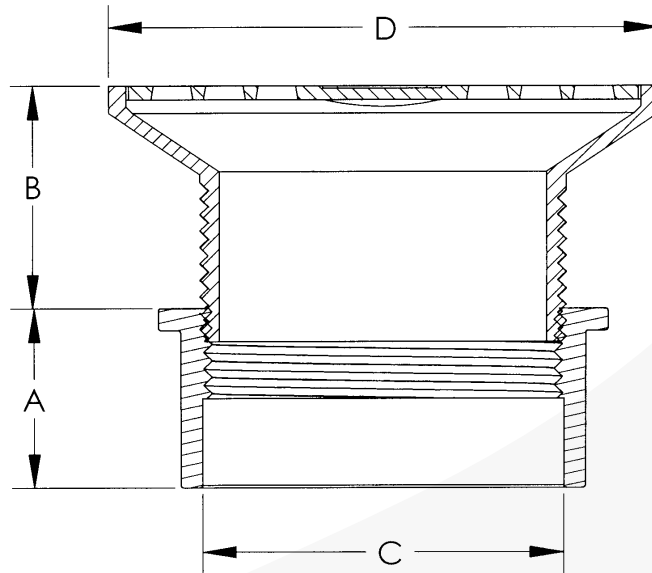
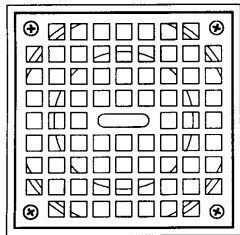
SUBMITTAL SPECIFICATION

**82000 Series
ABS Adjustable General Purpose Drain
Cast Barrel With Square Grate In Square Top**



Engineering Specification: Oatey adjustable general purpose floor drains are used for general service in restaurants, restrooms and other commercial applications where traffic is expected. Barrel assembly is completely adjustable to meet the finished floor height.

Job Reference



(All dimensions in inches)

- Barrel diameter is 3-1/2 in. IPS thread.
- Primer tap knock-out is 1/2 in. FIP thread.

✓	Socket Size (C)	Base Material	Barrel/Grate Finish	Grate Size	Part Number
	3 or 4 in. Pipe Fit	ABS	Nickel	4 in.	82217
	3 or 4 in. Pipe Fit	ABS	Nickel	5 in.	82237
	3 or 4 in. Pipe Fit	ABS	Nickel	6 in.	82257
	3 or 4 in. Pipe Fit	ABS	Chrome	4 in.	82227
	3 or 4 in. Pipe Fit	ABS	Chrome	5 in.	82247
	3 or 4 in. Pipe Fit	ABS	Chrome	6 in.	82267
	4 in. Pipe Fit	ABS	Nickel	4 in.	82218
	4 in. Pipe Fit	ABS	Nickel	5 in.	82238
	4 in. Pipe Fit	ABS	Nickel	6 in.	82258
	4 in. Pipe Fit	ABS	Chrome	4 in.	82228
	4 in. Pipe Fit	ABS	Chrome	5 in.	82248
	4 in. Pipe Fit	ABS	Chrome	6 in.	82268
	4 in. Hub Fit	ABS	Nickel	4 in.	82219
	4 in. Hub Fit	ABS	Nickel	5 in.	82239
	4 in. Hub Fit	ABS	Nickel	6 in.	82259
	4 in. Hub Fit	ABS	Chrome	4 in.	82229
	4 in. Hub Fit	ABS	Chrome	5 in.	82249
	4 in. Hub Fit	ABS	Chrome	6 in.	82269

	Dimensional Data			
	A	B	C	D
3 in.	4.75 in.	1.00 – 3.75 in.	3 in. Hub, 4 in. Pipe	4.00, 5.00 or 6.00 in.
4 in.	5.00 in.	1.00 – 3.75 in.	4 in. Pipe	4.00, 5.00 or 6.00 in.
4 in.	2.00 in.	1.00 – 3.75 in.	4 in. Hub	4.00, 5.00 or 6.00 in.

Grate Properties			
Size	Finish	Open Area	Load*
4 in.	Nickel	5.94 in. ²	Medium
4 in.	Chrome	5.94 in. ²	Medium
5 in.	Nickel	10.26 in. ²	Light
5 in.	Chrome	10.26 in. ²	Light
6 in.	Nickel	13.49 in. ²	Light
6 in.	Chrome	13.49 in. ²	Light

*Load is defined by ASME A112.21.1M.
Light Duty – Safe live load under 2000 lbs.
Medium Duty – Safe live load between 2000 lbs. and 4999 lbs.

Primer tap knock-out option available on 3" or 4" Pipe Fit and 4" Pipe Fit bases. 4" Hub Fit base does not include primer tap.