



**Dearborn®
Brass**

4675 W. 160th St.
Cleveland, Ohio 44135
Ph: (800) 321-9532
Fax: (800) 321-9535
www.dearbornbrass.com

SUBMITTAL SPECIFICATION

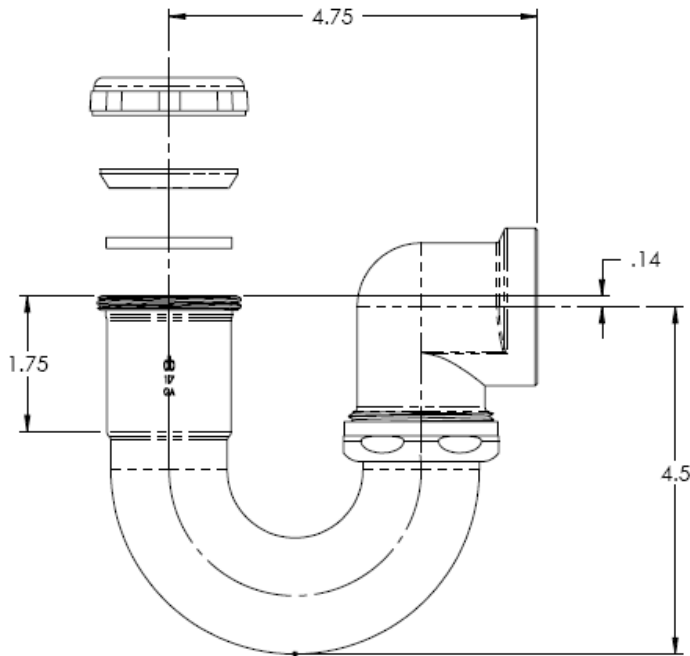
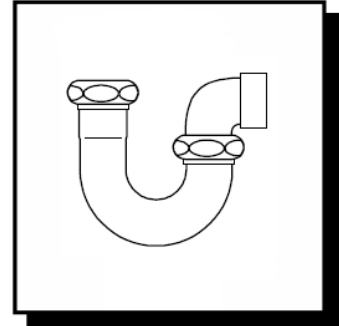
**BRASS TUBULAR
1-½" SINK TRAP WITH WASHER JOINT**

Engineering Specification: Dearborn Brass 1-½" Brass Tubular Sink Trap with Washer Joint is designed for use in tubular drain applications. Available in 17 or 20 Gauge Brass.

Job Reference

DESCRIPTION

- Chrome Finished
- 1-½" Sink Trap with Washer Joint
 - Cast Brass Sink Trap
 - J-Bend
 - Brass Nut
 - Zinc Nut
 - (2) Rubber Washers
 - (1) Reducing Washer



✓	Product No.	Description	Carton Quantity	Carton Weight (lbs)
	738W-1	1-½" Sink Trap with Washer Joint NPT – 20 Gauge	10	10
	740W-1	1-½" Sink Trap with Washer Joint NPT – 17 Gauge	10	12

Data is subject to manufacturing tolerances.