



Dearborn®
Brass

SUBMITTAL SPECIFICATION

4675 W. 160th St.
Cleveland, Ohio 44135
Ph: (800) 321-9532
Fax: (800) 321-9535
www.dearbornbrass.com

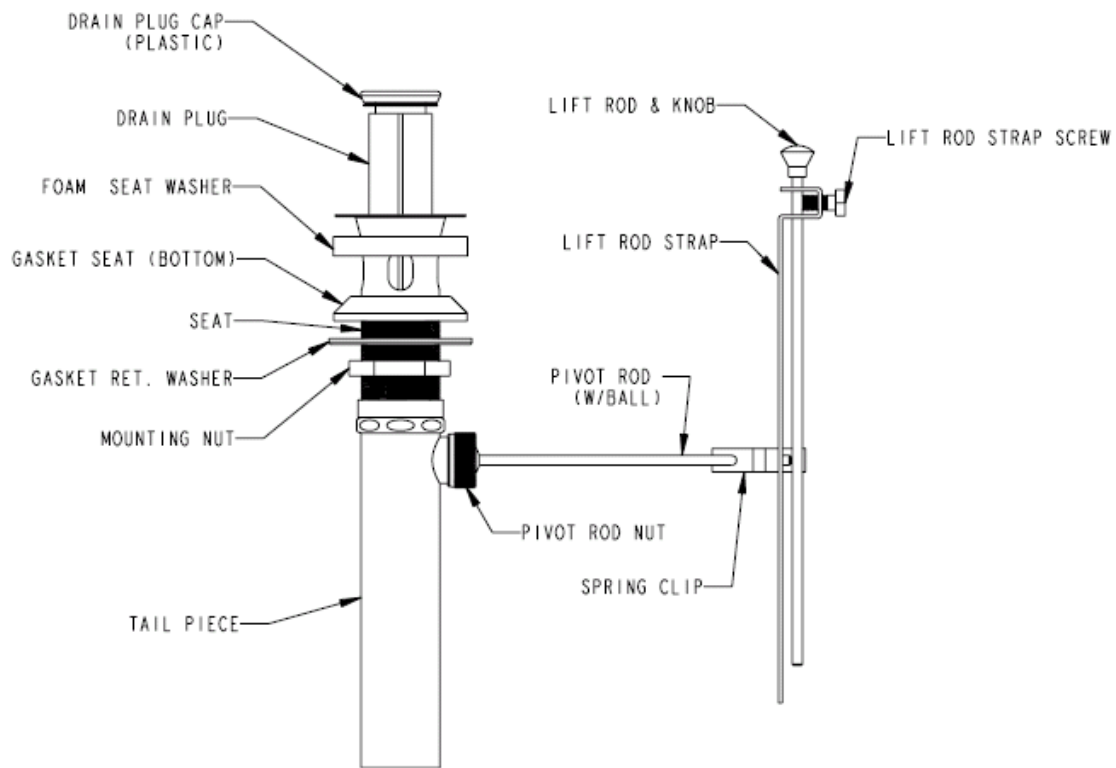
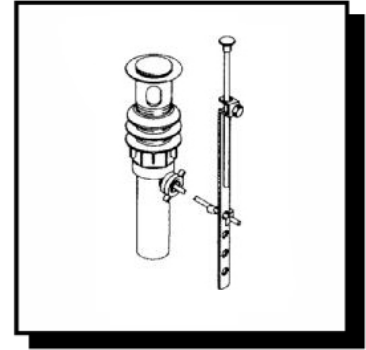
BRASS TUBULAR TWO PIECE POP UP ASSEMBLY

Engineering Specification: Dearborn Brass Two Piece Pop Up Assembly is designed for use in tubular drain applications with lavatory sinks. Two piece design allows overflow to flow to drain. Available in Chrome or Polished Brass Finish.

Job Reference

DESCRIPTION

- Chrome or Polished Brass Finish
- 20 Gauge Brass
- Two Piece assembly



✓	Product No.	Description	Carton Quantity	Carton Weight (lbs)
	758-1	1-1/4" Pop Up Assembly – 2 Piece – Chrome – 20 Gauge	10	10
	758U-3	1-1/4" Pop Up Assembly – 2 Piece – Polished Brass – 20 Gauge	10	10

Data is subject to manufacturing tolerances.