



**Dearborn®  
Brass**

4675 W. 160th St.  
Cleveland, Ohio 44135  
Ph: (800) 321-9532  
Fax: (800) 321-9535  
www.dearbornbrass.com

**SUBMITTAL SPECIFICATION**

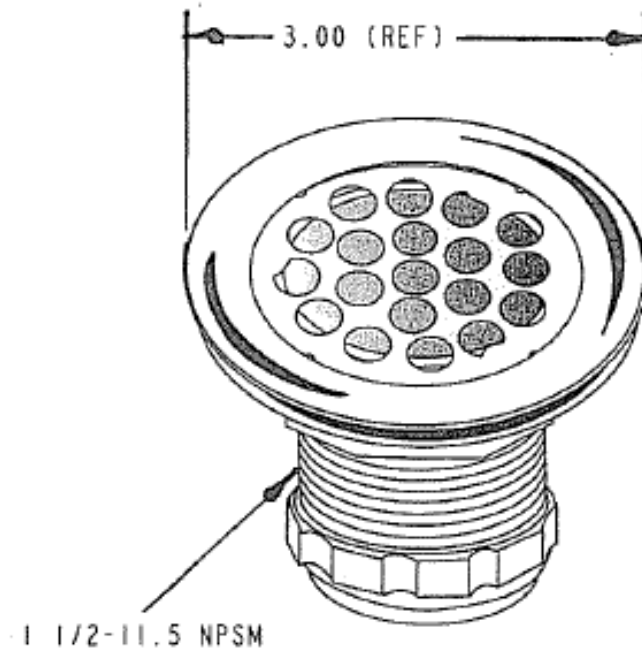
## 774 DUPLEX SINK STRAINER

**Engineering Specification:** Dearborn Brass 774 Duplex Sink Strainer is manufactured from Chrome plated cast brass body and flat stainless steel strainer. This product is ideal for use on 2" duplex sinks.

**Job Reference**

### DESCRIPTION

- 774 Duplex Sink Strainer Assembly
  - BODY: Chrome-plated brass
  - STRAINER: Stainless steel, flat
- Heavy chrome plated, solid brass body
- Fits 2-½" opening



✓	Product No.	Description	Carton Quantity	Carton Weight (lbs)
	774	Duplex Sink Strainer	12	5
	774BN	Duplex Sink Strainer with Brass Nuts	12	5
	774T	Duplex Sink Strainer with 4" Chrome Plated Tailpiece	12	12

Data is subject to manufacturing tolerances.