



4700 W. 160th St.
Cleveland, Ohio 44135
Ph: (800) 321-9532
Fax: (800) 321-9535
www.oatey.com

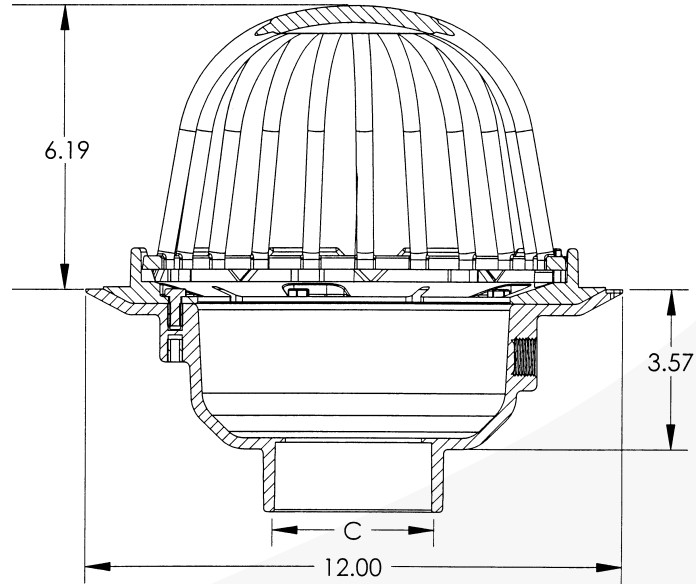
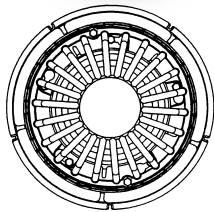
78000 Series PVC Roof Drains With Dome And Gravel Guard



SUBMITTAL SPECIFICATION

Engineering Specification: The Oatey Roof Drain offers superior drainage with robust debris protection. A dome free-flow area over 200 square inches, available in cast iron or plastic domes with gravel guard.

Job Reference



(All dimensions in inches)

• Primer tap knock-out is 1/2 in. FIP thread.

✓	Socket Size (C)	Base Material	Dome Material	Part Number
	2 in.*	PVC	ABS Plastic	78012
	2 in.*	PVC	Cast Iron	78022
	3 in.	PVC	ABS Plastic	78013
	3 in.	PVC	Cast Iron	78023
	4 in.	PVC	ABS Plastic	78014
	4 in.	PVC	Cast Iron	78024
	6 in.	PVC	ABS Plastic	78016
	6 in.	PVC	Cast Iron	78026

*2 in. base includes 3 in. x 2 in. bushing.

Dome Properties	
Finish	Open Area
ABS Plastic	200.00 in. ²
Cast Iron	200.00 in. ²



4700 W. 160th St.
Cleveland, Ohio 44135
Ph: (800) 321-9532
Fax: (800) 321-9535
www.oatey.com

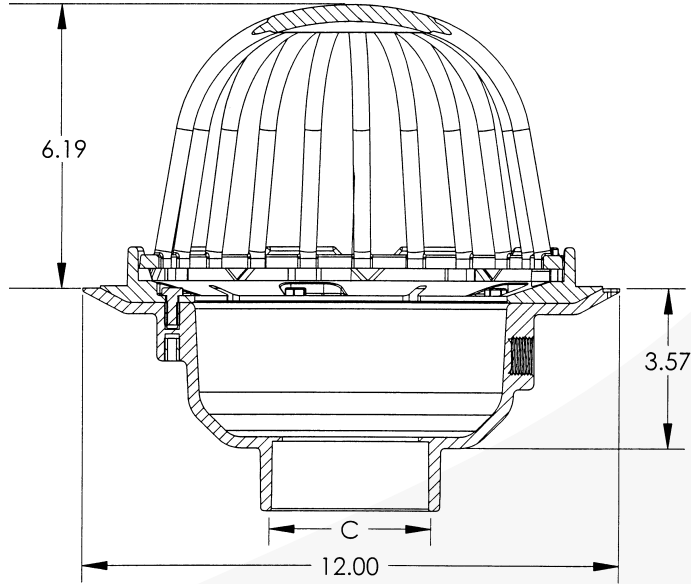
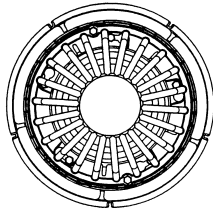
SUBMITTAL SPECIFICATION

**88000 Series
ABS Roof Drains
With Dome And Gravel Guard**



Engineering Specification: The Oatey Roof Drain offers superior drainage with robust debris protection. A dome free-flow area over 200 square inches, available in cast iron or plastic domes with gravel guard.

Job Reference



(All dimensions in inches)

• Primer tap knock-out is 1/2 in. FIP thread.

✓	Socket Size (C)	Base Material	Dome Material	Part Number
	2 in.*	ABS	ABS Plastic	88012
	2 in.*	ABS	Cast Iron	88022
	3 in.	ABS	ABS Plastic	88013
	3 in.	ABS	Cast Iron	88023
	4 in.	ABS	ABS Plastic	88014
	4 in.	ABS	Cast Iron	88024
	6 in.	ABS	ABS Plastic	88016
	6 in.	ABS	Cast Iron	88026

*2 in. base includes 3 in. x 2 in. bushing.

Dome Properties	
Finish	Open Area
ABS Plastic	200.00 in. ²
Cast Iron	200.00 in. ²