



**Dearborn®  
Brass**

4675 W. 160th St.  
Cleveland, Ohio 44135  
Ph: (800) 321-9532  
Fax: (800) 321-9535  
www.dearbornbrass.com

**SUBMITTAL SPECIFICATION**

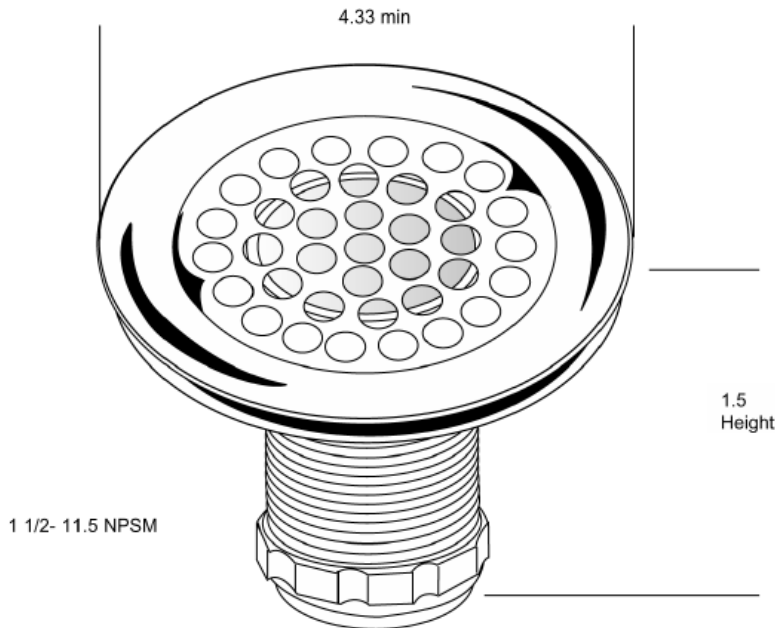
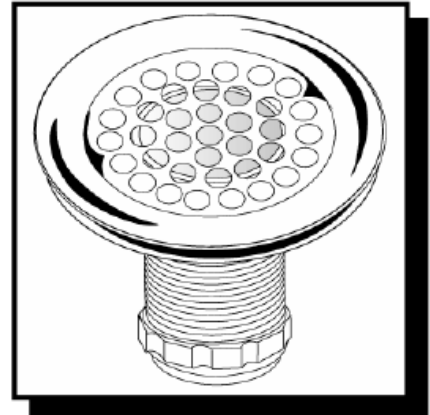
**815 FLAT TOP  
SINK BASKET STRAINER**

**Engineering Specification:** Dearborn Brass 815 Flat Top Sink Basket Strainer is manufactured from Chrome Plated Cast Brass with a flat stainless steel strainer. This product is ideal for installation in a 3-½" sink drain.

**Job Reference**

**DESCRIPTION**

- 815 Flat Top Sink Strainer Assembly
  - BODY: Chrome-plated brass
  - STRAINER: Stainless steel, flat
- Heavy chrome plated, solid brass body
- Fits 3-½" Sink Drain



✓	Product No.	Description	Carton Quantity	Carton Weight (lbs)
	815B	Flat Top Sink Basket Strainer	12	5
	815BT	Flat Top Sink Basket Strainer with 4" Chrome Plated Tailpiece	12	7
	4202-2-3	Replacement Rubber Washer for 815	1	.04

Data is subject to manufacturing tolerances.