



4700 W. 160th St.
Cleveland, Ohio 44135
Ph: (800) 321-9532
Fax: (800) 321-9535
www.oatey.com

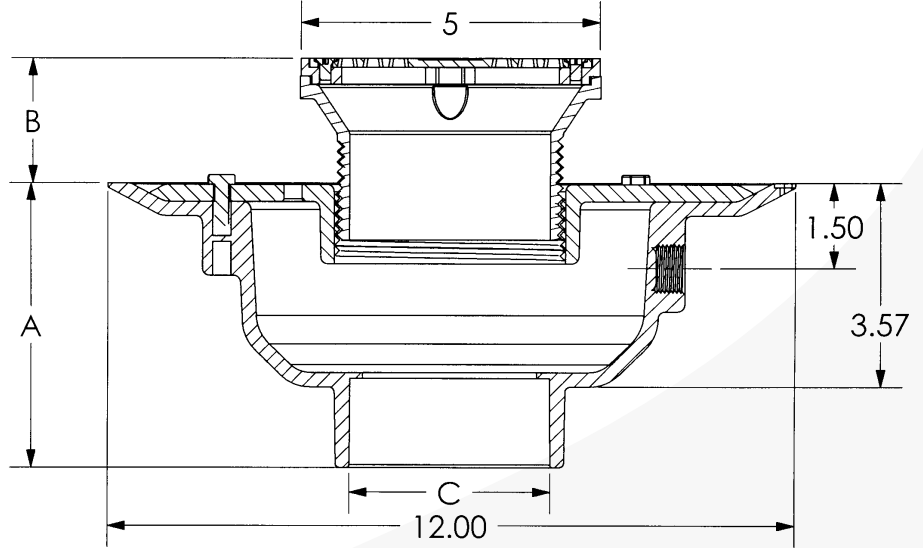
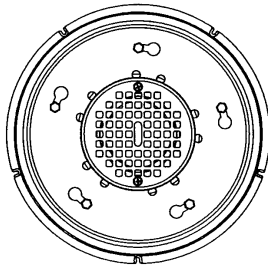
72000 Series PVC Adjustable Commercial Drain PVC Barrel With 5" Round Grate With Round Ring



SUBMITTAL SPECIFICATION

Engineering Specification: Oatey commercial grade floor drains are used for general service in restaurants, restrooms and other commercial applications where traffic is expected. Barrel assembly is completely adjustable to meet the finished floor height.

Job Reference



(All dimensions in inches)

- Barrel diameter is 3-1/2 in. IPS thread.
- Primer tap knock-out is 1/2 in. FIP thread.

✓	Socket Size (C)	Base Material	Grate Finish	Part Number
	2 in.	PVC	Brass	72032
	2 in.	PVC	Nickel	72062
	2 in.	PVC	Chrome	72092
	3 in.	PVC	Brass	72033
	3 in.	PVC	Nickel	72063
	3 in.	PVC	Chrome	72093
	4 in.	PVC	Brass	72034
	4 in.	PVC	Nickel	72064
	4 in.	PVC	Chrome	72094
	6 in.	PVC	Brass	72036
	6 in.	PVC	Nickel	72066
	6 in.	PVC	Chrome	72096

	Dimensional Data		
	A	B	C
2 in.*	5.25 in.	1.25 – 4.00 in.	2 in. Hub
3 in.	5.00 in.	1.25 – 4.00 in.	3 in. Hub
4 in.	5.25 in.	1.25 – 4.00 in.	4 in. Hub
6 in.	6.00 in.	1.25 – 4.00 in.	6 in. Hub

*2 in. base includes 3 in. x 2 in. bushing.

Grate Properties		
Finish	Open Area	Load*
Brass	6.00 in. ²	Medium
Nickel	6.00 in. ²	Medium
Chrome	6.00 in. ²	Medium

*Load is defined by ASME A112.21.1M.
Light Duty – Safe live load under 2000 lbs.
Medium Duty – Safe live load between 2000 lbs. and 4999 lbs.



4700 W. 160th St.
Cleveland, Ohio 44135
Ph: (800) 321-9532
Fax: (800) 321-9535
www.oatey.com

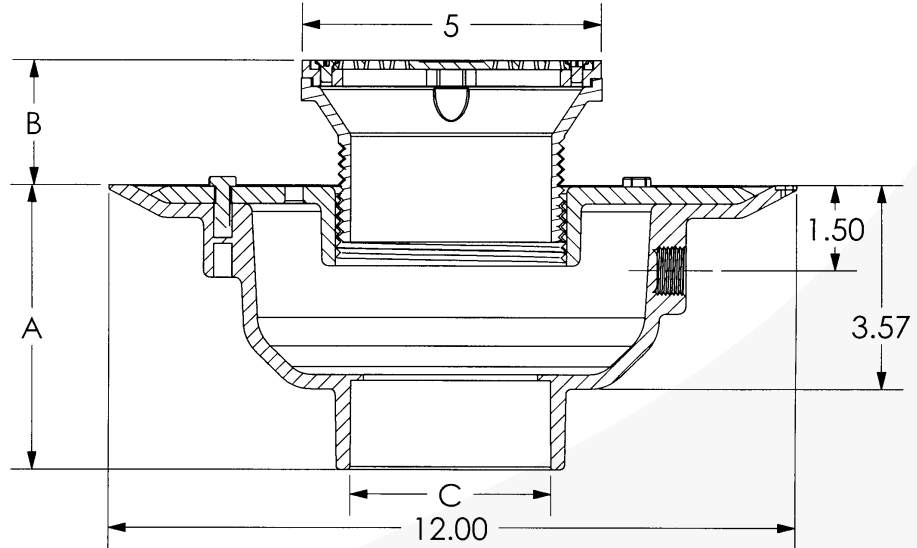
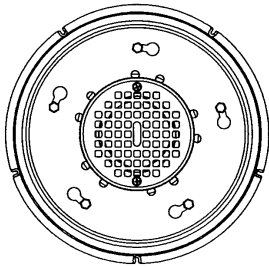
SUBMITTAL SPECIFICATION

**82000 Series
ABS Adjustable Commercial Drain
PVC Barrel With 5" Round Grate With Round Ring**



Engineering Specification: Oatey commercial grade floor drains are used for general service in restaurants, restrooms and other commercial applications where traffic is expected. Barrel assembly is completely adjustable to meet the finished floor height.

Job Reference



(All dimensions in inches)

- Barrel diameter is 3-1/2 in. IPS thread.
- Primer tap knock-out is 1/2 in. FIP thread.

✓	Socket Size (C)	Base Material	Grate Finish	Part Number
	2 in.	ABS	Brass	82032
	2 in.	ABS	Nickel	82062
	2 in.	ABS	Chrome	82092
	3 in.	ABS	Brass	82033
	3 in.	ABS	Nickel	82063
	3 in.	ABS	Chrome	82093
	4 in.	ABS	Brass	82034
	4 in.	ABS	Nickel	82064
	4 in.	ABS	Chrome	82094
	6 in.	ABS	Brass	82036
	6 in.	ABS	Nickel	82066
	6 in.	ABS	Chrome	82096

	Dimensional Data		
	A	B	C
2 in.*	5.25 in.	1.25 – 4.00 in.	2 in. Hub
3 in.	5.00 in.	1.25 – 4.00 in.	3 in. Hub
4 in.	5.25 in.	1.25 – 4.00 in.	4 in. Hub
6 in.	6.00 in.	1.25 – 4.00 in.	6 in. Hub

*2 in. base includes 3 in. x 2 in. bushing.

Grate Properties		
Finish	Open Area	Load*
Brass	6.00 in. ²	Medium
Nickel	6.00 in. ²	Medium
Chrome	6.00 in. ²	Medium

*Load is defined by ASME A112.21.1M.

Light Duty – Safe live load under 2000 lbs.

Medium Duty – Safe live load between 2000 lbs. and 4999 lbs.