



4700 W. 160th St.
Cleveland, Ohio 44135
Ph: (800) 321-9532
Fax: (800) 321-9535
www.oatey.com

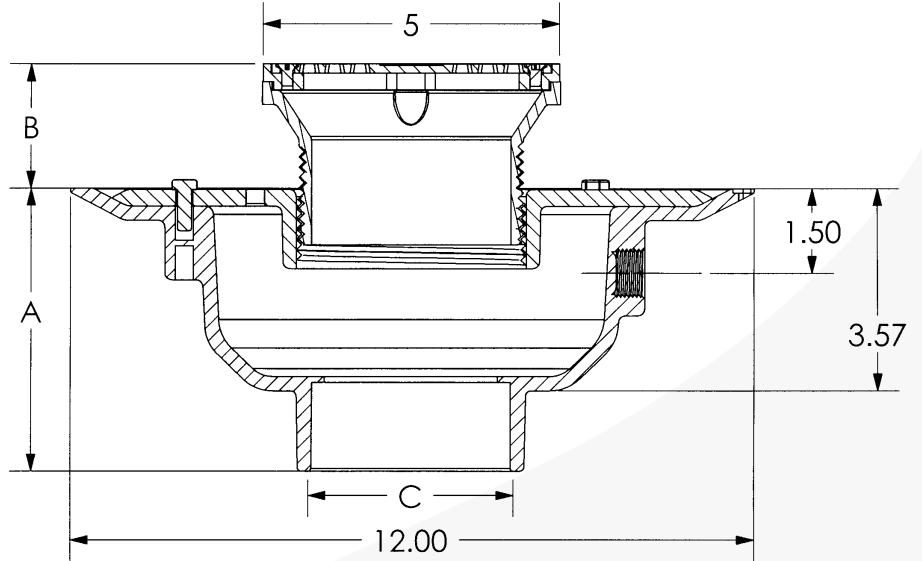
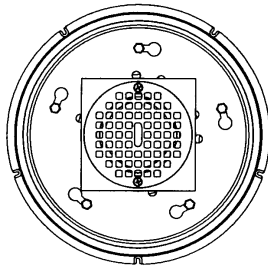
72000 Series PVC Adjustable Commercial Drain PVC Barrel With 5" Round Grate With Square Ring



SUBMITTAL SPECIFICATION

Engineering Specification: Oatey commercial grade floor drains are used for general service in restaurants, restrooms and other commercial applications where traffic is expected. Barrel assembly is completely adjustable to meet the finished floor height.

Job Reference



(All dimensions in inches)

- Barrel diameter is 3-1/2 in. IPS thread.
- Primer tap knock-out is 1/2 in. FIP thread.

✓	Socket Size (C)	Base Material	Grate Finish	Part Number
	2 in.	PVC	Brass	72042
	2 in.	PVC	Nickel	72072
	2 in.	PVC	Chrome	72102
	3 in.	PVC	Brass	72043
	3 in.	PVC	Nickel	72073
	3 in.	PVC	Chrome	72103
	4 in.	PVC	Brass	72044
	4 in.	PVC	Nickel	72074
	4 in.	PVC	Chrome	72104
	6 in.	PVC	Brass	72046
	6 in.	PVC	Nickel	72076
	6 in.	PVC	Chrome	72106

	Dimensional Data		
	A	B	C
2 in.*	5.25 in.	1.25 – 4.00 in.	2 in. Hub
3 in.	5.00 in.	1.25 – 4.00 in.	3 in. Hub
4 in.	5.25 in.	1.25 – 4.00 in.	4 in. Hub
6 in.	6.00 in.	1.25 – 4.00 in.	6 in. Hub

*2 in. base includes 3 in. x 2 in. bushing.

Grate Properties		
Finish	Open Area	Load*
Brass	6.00 in. ²	Medium
Nickel	6.00 in. ²	Medium
Chrome	6.00 in. ²	Medium

*Load is defined by ASME A112.21.1M.
Light Duty – Safe live load under 2000 lbs.
Medium Duty – Safe live load between 2000 lbs. and 4999 lbs.



4700 W. 160th St.
Cleveland, Ohio 44135
Ph: (800) 321-9532
Fax: (800) 321-9535
www.oatey.com

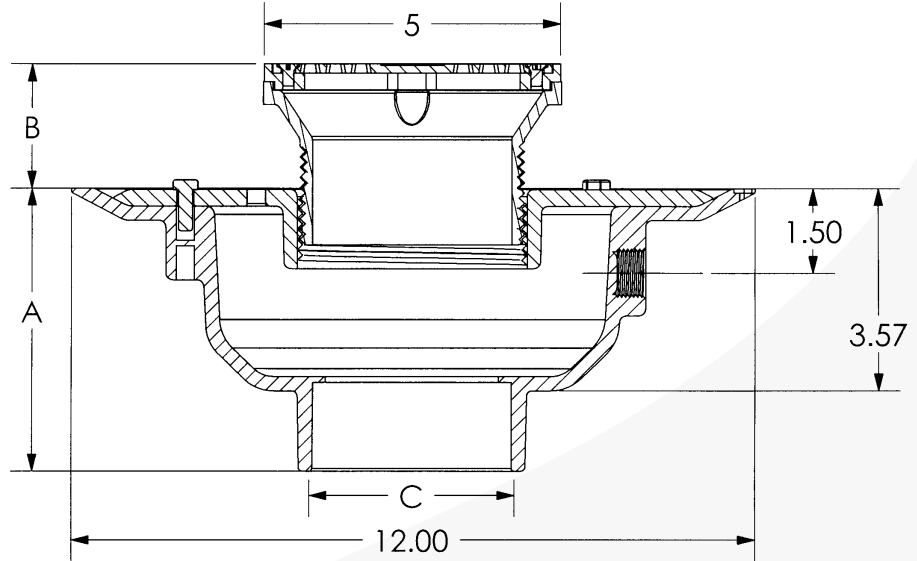
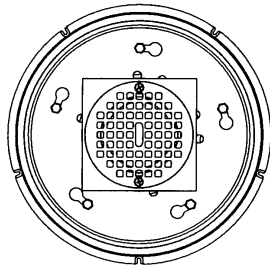
SUBMITTAL SPECIFICATION

**82000 Series
ABS Adjustable Commercial Drain
PVC Barrel With 5" Round Grate With Square Ring**



Engineering Specification: Oatey commercial grade floor drains are used for general service in restaurants, restrooms and other commercial applications where traffic is expected. Barrel assembly is completely adjustable to meet the finished floor height.

Job Reference



(All dimensions in inches)

- Barrel diameter is 3-1/2 in. IPS thread.
- Primer tap knock-out is 1/2 in. FIP thread.

✓	Socket Size (C)	Base Material	Grate Finish	Part Number
	2 in.	ABS	Brass	82042
	2 in.	ABS	Nickel	82072
	2 in.	ABS	Chrome	82102
	3 in.	ABS	Brass	82043
	3 in.	ABS	Nickel	82073
	3 in.	ABS	Chrome	82103
	4 in.	ABS	Brass	82044
	4 in.	ABS	Nickel	82074
	4 in.	ABS	Chrome	82104
	6 in.	ABS	Brass	82046
	6 in.	ABS	Nickel	82076
	6 in.	ABS	Chrome	82106

	Dimensional Data		
	A	B	C
2 in.*	5.25 in.	1.25 – 4.00 in.	2 in. Hub
3 in.	5.00 in.	1.25 – 4.00 in.	3 in. Hub
4 in.	5.25 in.	1.25 – 4.00 in.	4 in. Hub
6 in.	6.00 in.	1.25 – 4.00 in.	6 in. Hub

*2 in. base includes 3 in. x 2 in. bushing.

Grate Properties		
Finish	Open Area	Load*
Brass	6.00 in. ²	Medium
Nickel	6.00 in. ²	Medium
Chrome	6.00 in. ²	Medium

*Load is defined by ASME A112.21.1M.

Light Duty – Safe live load under 2000 lbs.

Medium Duty – Safe live load between 2000 lbs. and 4999 lbs.