



4700 W. 160th St.
Cleveland, Ohio 44135
Ph: (800) 321-9532
Fax: (800) 321-9535
www.oatey.com

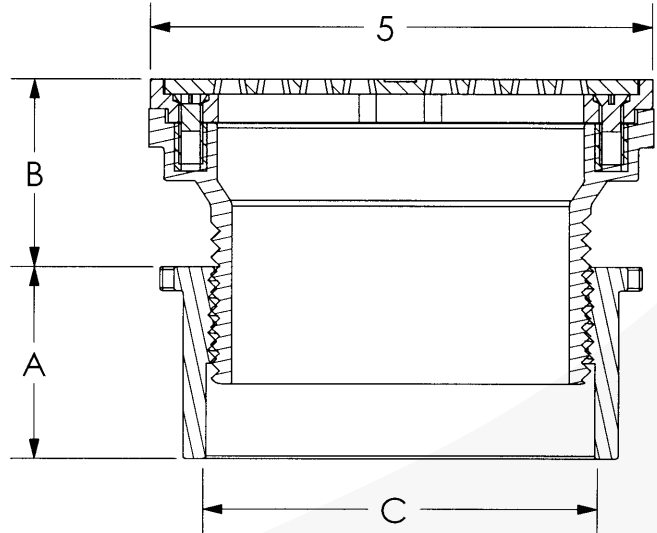
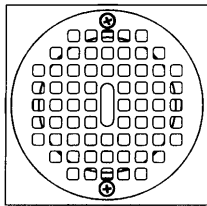
72000 Series PVC Adjustable General Purpose Drain PVC Barrel With 5" Round Grate With Square Ring



SUBMITTAL SPECIFICATION

Engineering Specification: Oatey adjustable general purpose floor drains are used for general service in restaurants, restrooms and other commercial applications where traffic is expected. Barrel assembly is completely adjustable to meet the finished floor height.

Job Reference



(All dimensions in inches)

- Barrel diameter is 3-1/2 in. IPS thread.
- Primer tap knock-out is 1/2 in. FIP thread.

✓	Socket Size (C)	Base Material	Grate Finish	Part Number
	3 or 4 in. Pipe Fit	PVC	Brass	72047
	3 or 4 in. Pipe Fit	PVC	Nickel	72077
	3 or 4 in. Pipe Fit	PVC	Chrome	72107
	4 in. Pipe Fit	PVC	Brass	72048
	4 in. Pipe Fit	PVC	Nickel	72078
	4 in. Pipe Fit	PVC	Chrome	72108
	4 in. Hub Fit	PVC	Brass	72049
	4 in. Hub Fit	PVC	Nickel	72079
	4 in. Hub Fit	PVC	Chrome	72109

Primer tap knock-out option available on 3" or 4" Pipe Fit and 4" Pipe Fit bases. 4" Hub Fit base does not include primer tap.

	Dimensional Data		
	A	B	C
3 in.	4.75 in.	1.25 – 2.75 in.	3 in. Hub, 4 in. Pipe
4 in.	5.00 in.	1.25 – 2.75 in.	4 in. Pipe
4 in.	2.00 in.	1.25 – 2.75 in.	4 in. Hub

Grate Properties		
Finish	Open Area	Load*
Brass	6.00 in. ²	Medium
Nickel	6.00 in. ²	Medium
Chrome	6.00 in. ²	Medium

*Load is defined by ASME A112.21.1M.
Light Duty – Safe live load under 2000 lbs.
Medium Duty – Safe live load between 2000 lbs. and 4999 lbs.



4700 W. 160th St.
Cleveland, Ohio 44135
Ph: (800) 321-9532
Fax: (800) 321-9535
www.oatey.com

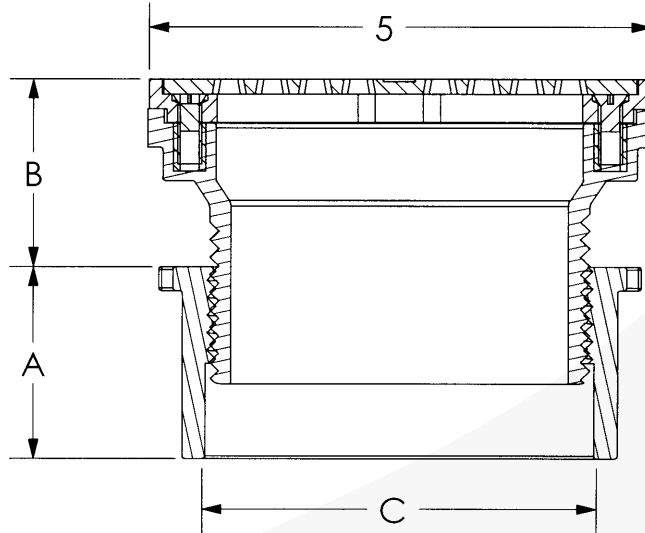
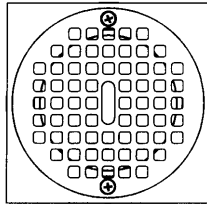
SUBMITTAL SPECIFICATION

**82000 Series
ABS Adjustable General Purpose Drain
PVC Barrel With 5" Round Grate With Square Ring**



Engineering Specification: Oatey adjustable general purpose floor drains are used for general service in restaurants, restrooms and other commercial applications where traffic is expected. Barrel assembly is completely adjustable to meet the finished floor height.

Job Reference



(All dimensions in inches)

- Barrel diameter is 3-1/2 in. IPS thread.
- Primer tap knock-out is 1/2 in. FIP thread.

✓	Socket Size (C)	Base Material	Grate Finish	Part Number
	3 or 4 in. Pipe Fit	ABS	Brass	82047
	3 or 4 in. Pipe Fit	ABS	Nickel	82077
	3 or 4 in. Pipe Fit	ABS	Chrome	82107
	4 in. Pipe Fit	ABS	Brass	82048
	4 in. Pipe Fit	ABS	Nickel	82078
	4 in. Pipe Fit	ABS	Chrome	82108
	4 in. Hub Fit	ABS	Brass	82049
	4 in. Hub Fit	ABS	Nickel	82079
	4 in. Hub Fit	ABS	Chrome	82109

Primer tap knock-out option available on 3" or 4" Pipe Fit and 4" Pipe Fit bases. 4" Hub Fit base does not include primer tap.

	Dimensional Data		
	A	B	C
3 in.	4.75 in.	1.25 – 2.75 in.	3 in. Hub, 4 in. Pipe
4 in.	5.00 in.	1.25 – 2.75 in.	4 in. Pipe
4 in.	2.00 in.	1.25 – 2.75 in.	4 in. Hub

Finish	Grate Properties	
	Open Area	Load*
Brass	6.00 in. ²	Medium
Nickel	6.00 in. ²	Medium
Chrome	6.00 in. ²	Medium

*Load is defined by ASME A112.21.1M.
Light Duty – Safe live load under 2000 lbs.
Medium Duty – Safe live load between 2000 lbs. and 4999 lbs.