



4700 W. 160th St.  
Cleveland, Ohio 44135  
Ph: (800) 321-9532  
Fax: (800) 321-9535  
www.oatey.com

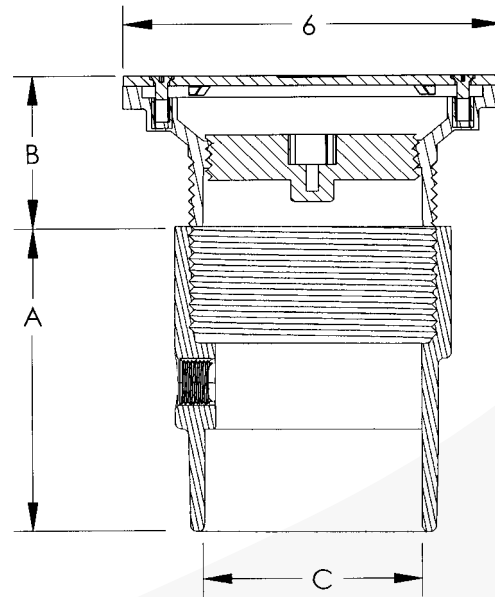
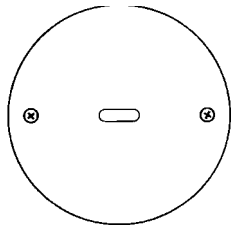
## 74000 Series PVC Adjustable General Purpose Cleanout PVC Barrel With 6" Round Cover



### SUBMITTAL SPECIFICATION

**Engineering Specification:** Oatey adjustable general purpose cleanouts are used for general service in restaurants, restrooms and other commercial applications where traffic is expected. Barrel assembly is completely adjustable to meet the finished floor height.

Job Reference



(All dimensions in inches)

- Barrel diameter is 3-1/2 in. IPS thread.
- Primer tap knock-out is 1/2 in. FIP thread.

✓	Socket Size (C)	Base Material	Cover Finish	Part Number
	3 or 4 in. Pipe Fit	PVC	Brass	74127
	3 or 4 in. Pipe Fit	PVC	Nickel	74157
	3 or 4 in. Pipe Fit	PVC	Chrome	74187
	4 in. Pipe Fit	PVC	Brass	74128
	4 in. Pipe Fit	PVC	Nickel	74158
	4 in. Pipe Fit	PVC	Chrome	74188
	4 in. Hub Fit	PVC	Brass	74129
	4 in. Hub Fit	PVC	Nickel	74159
	4 in. Hub Fit	PVC	Chrome	74189

	Dimensional Data		
	A	B	C
3 in.	4.75 in.	1.00 – 2.50 in.	3 in. Hub, 4 in. Pipe
4 in.	5.00 in.	1.00 – 2.50 in.	4 in. Pipe
4 in.	2.00 in.	1.00 – 2.50 in.	4 in. Hub

\*3 in. plug included in barrel.

Cover Properties	
Finish	Load*
Brass	Medium
Nickel	Medium
Chrome	Medium

\*Load is defined by ASME A112.21.1M.  
Light Duty – Safe live load under 2000 lbs.  
Medium Duty – Safe live load between 2000 lbs. and 4999 lbs.



4700 W. 160th St.  
Cleveland, Ohio 44135  
Ph: (800) 321-9532  
Fax: (800) 321-9535  
www.oatey.com

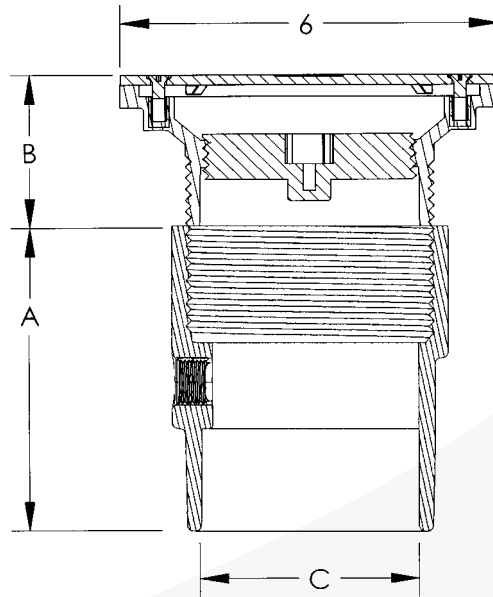
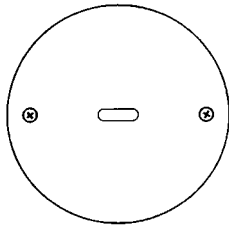
## 84000 Series ABS Adjustable General Purpose Cleanout PVC Barrel With 6" Round Cover



### SUBMITTAL SPECIFICATION

**Engineering Specification:** Oatey adjustable general purpose cleanouts are used for general service in restaurants, restrooms and other commercial applications where traffic is expected. Barrel assembly is completely adjustable to meet the finished floor height.

Job Reference



(All dimensions in inches)

- Barrel diameter is 3-1/2 in. IPS thread.
- Primer tap knock-out is 1/2 in. FIP thread.

✓	Socket Size (C)	Base Material	Cover Finish	Part Number
	3 or 4 in. Pipe Fit	ABS	Brass	84127
	3 or 4 in. Pipe Fit	ABS	Nickel	84157
	3 or 4 in. Pipe Fit	ABS	Chrome	84187
	4 in. Pipe Fit	ABS	Brass	84128
	4 in. Pipe Fit	ABS	Nickel	84158
	4 in. Pipe Fit	ABS	Chrome	84188
	4 in. Hub Fit	ABS	Brass	84129
	4 in. Hub Fit	ABS	Nickel	84159
	4 in. Hub Fit	ABS	Chrome	84189

	Dimensional Data		
	A	B	C
3 in.	4.75 in.	1.00 – 2.50 in.	3 in. Hub, 4 in. Pipe
4 in.	5.00 in.	1.00 – 2.50 in.	4 in. Pipe
4 in.	2.00 in.	1.00 – 2.50 in.	4 in. Hub

\*3 in. plug included in barrel.

Cover Properties	
Finish	Load*
Brass	Medium
Nickel	Medium
Chrome	Medium

\*Load is defined by ASME A112.21.1M.

Light Duty – Safe live load under 2000 lbs.

Medium Duty – Safe live load between 2000 lbs. and 4999 lbs.