



**Dearborn®
Brass**

4675 W. 160th St.
Cleveland, Ohio 44135
Ph: (800) 321-9532
Fax: (800) 321-9535
www.dearbornbrass.com

SUBMITTAL SPECIFICATION

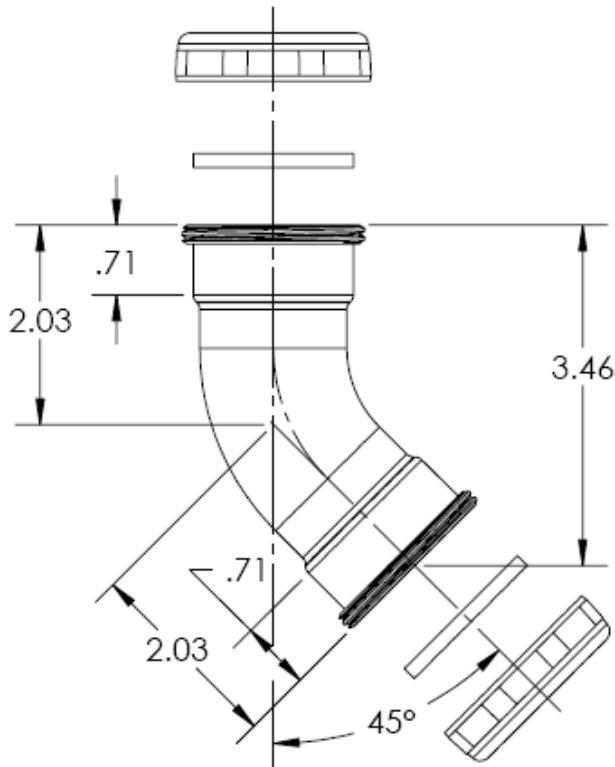
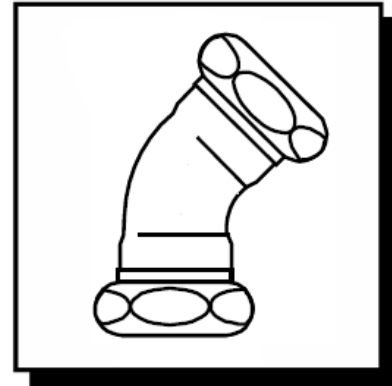
**BRASS TUBULAR
1-½" 45° SLIP JOINT ELBOW**

Engineering Specification: Dearborn Brass 1-½" Brass Tubular 45° Slip Joint Elbows are designed for use in tubular drain applications.

Job Reference

DESCRIPTION

- Chrome Finish
- 20 Gauge Brass
- 45° Slip Joint Elbow
 - Elbow
 - (2) Zinc Nuts
 - (2) Rubber Washers



✓	Product No.	Description	Carton Quantity	Carton Weight (lbs)
	8478	1-½" Slip Joint 45° Elbow – 20 Gauge, Chrome	5	2

Data is subject to manufacturing tolerances.