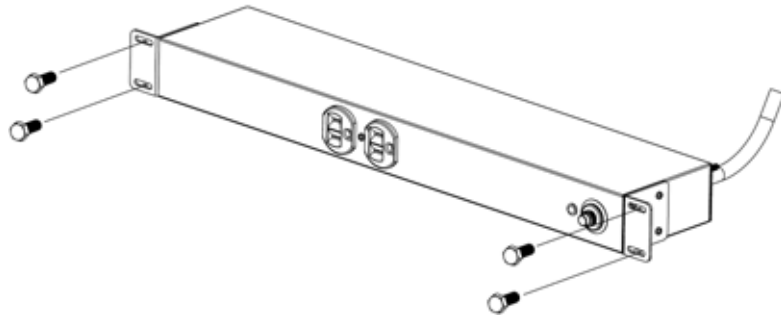


# PDU Installation Instructions

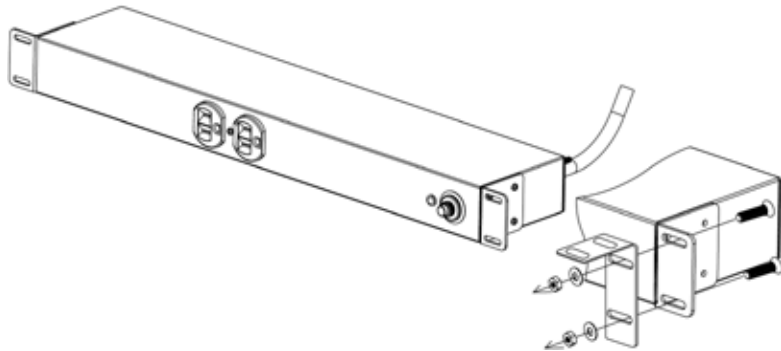
## 1U and 2U Horizontal Installation

1. Install the PDU into the rack and attach with the retaining screws (not provided).
2. The installation is complete. See Connecting the Equipment.



## 1U and 2U Vertical Mounting

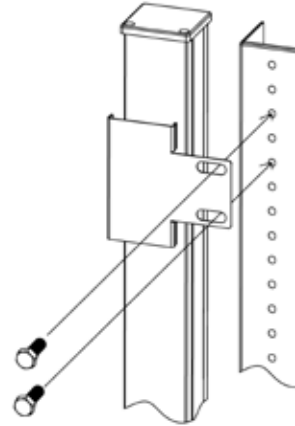
1. Attach the Vertical mounting brackets to the Horizontal rackmount brackets on each end of the PDU with the retaining screws (provided) as shown.
2. Attach the PDU to the side of the rack with the retaining screws (not provided).
3. The installation is complete. See Connecting the Equipment.



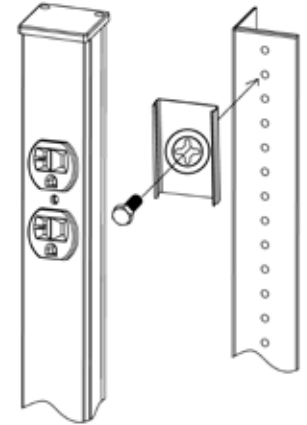
## 0 (zero) U Vertical Mounting

### Side Mounting:

1. Snap on the 0U mounting brackets to the backside of the PDU as shown.
2. Orient the PDU to the desired position and then attach the PDU to the rack with the retaining screws (not provided) as shown.
3. The installation is complete. See Connecting the Equipment.



Side Mounting



Flush Mounting

### Flush Mounting:

1. Align the center hole of the 0U mounting brackets (backside) to the mounting hole on the rack. Attach the 0U mounting bracket to the rack with the retaining screws (not provided).
2. Snap the PDU into the 0U mounting bracket.
3. The installation is complete. See Connecting the Equipment.

## Connecting the Equipment

Do not use extension cords, adapter plugs or surge strips on the input or the output of the PDU. Ensure that the load does not exceed the maximum output rating of the PDU (refer to the information label on the PDU).

1. Verify that the voltage and frequency ratings match that of the Utility power, and then connect the AC Input power cord into a two-pole, three-wire grounded receptacle only. The receptacle shall be installed near to the PDU and shall be easily accessible. The PDU has an external ground stud for attaching an external ground wire from the rack to the PDU.
2. The Power On LED (green) will illuminate indicating that the PDU is on and providing power to the connected equipment.
3. Turn on the connected equipment.
4. The installation is complete and the PDU is ready for normal operation.