

Product leaflet

Product
Half mask SR 100 M/L
P100/OV/SD/CL/HC/HF

Model
Pro Pack

Ordering No.
H05-5721

Product Description

The Pro Pack contains a SR 100 M/L half mask Air Purifying Respirator (APR), a particulate filter SR 510/P100 and a chemical cartridge SR 232 OV/SD/CL/HC/HF.

This combination of filters provides protection against all types of particulate pollutants (SR 510/P100) and from certain levels of organic vapor/acid gases suitable for protection during spray painting, pesticides, agriculture, construction and transportation.

All delivered in a suitable storage box.

This type of protection gives you a Protection factor of 10 specified by OSHA and applies generally to all Half mask Air Purifying Respirators (APR) when the employer implements a continuing, effective respirator program as required by this section (29 CFR 1910.134).

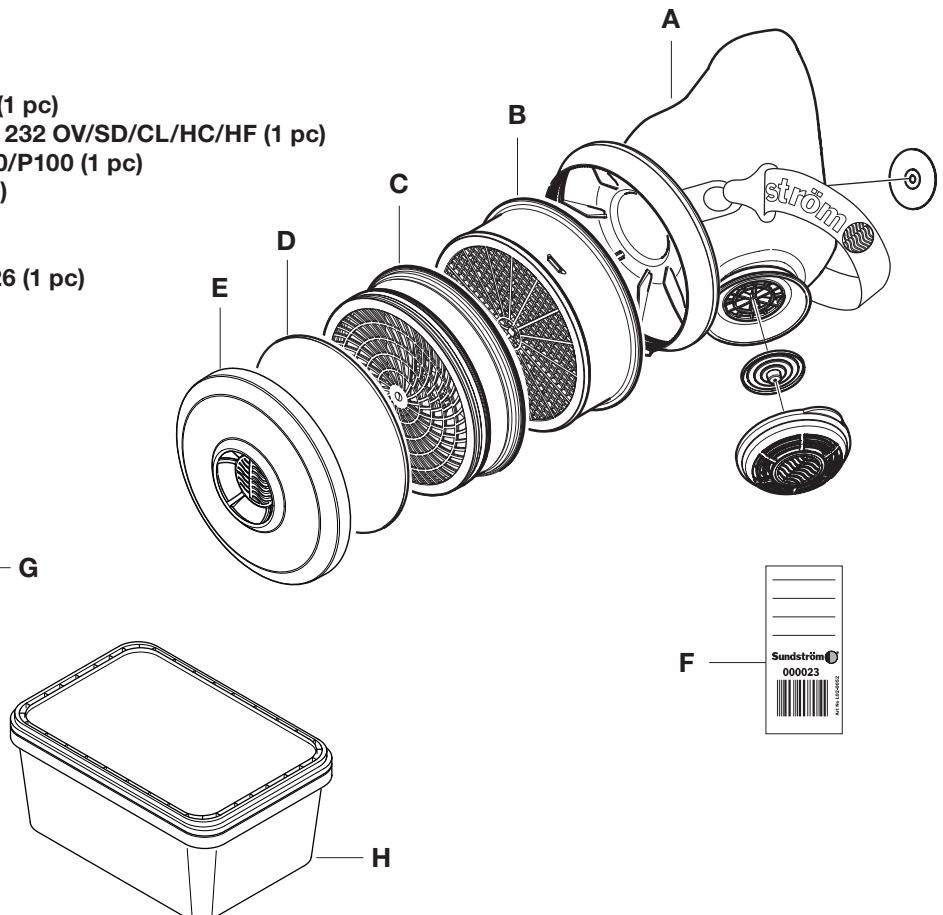
	SR 100/SR 510/SR 232	42 CFR part 84
Assigned protection factor ¹⁾	10	-
Inhalation resistance ²⁾ at 85 l/min	≈ 14.5 MM H ₂ O (145 Pa)	≤ 35 MM H ₂ O (343 Pa)
Inhalation resistance ³⁾ at 85 l/min	≈ 29.1 MM H ₂ O (291 Pa)	≤ 40 MM H ₂ O (393 Pa)
Exhalation resistance at 85 l/min	≈ 5.2 MM H ₂ O (51 Pa)	≤ 25 MM H ₂ O (245 Pa)
Service temperature	14 to 131 °F (-10 to +55 °C), < 90 % RH	-
Storage temperature	4 to 104 °F (-20 to +40 °C), < 90 % RH	-
Approval	NIOSH 42 CFR part 84	

1) Specified by OSHA and applies generally to all Half mask Air Purifying Respirators (APR) when the employer implements a continuing, effective respirator program as required by this section (29 CFR 1910.134).

2) With Particulate filter SR 510 P100.

3) With Chemical Cartridge SR 232.

- A. Half mask SR 100 M/L (1 pc)**
- B. Chemical cartridge SR 232 OV/SD/CL/HC/HF (1 pc)**
- C. Particulate filter SR 510/P100 (1 pc)**
- D. Pre-filter SR 221 (5 pcs)**
- E. Pre-filter holder (1 pc)**
- F. ID label**
- G. Cleaning tissue SR 5226 (1 pc)**
- H. Storage box**



Sundstrom Safety Inc.
20 North Blossom St.
East Providence, RI 02914
Office: 1-401-434-7300
Toll Free: 1-877-SUNDSTROM
Fax: 1-401-434-8300
info@srsafety.com
www.srsafety.com

Sundström 
www.srsafety.com