

Product leaflet

Product	Model No.	Ordering No.
Supplied Air Respirator (SAR) Full Face Mask	SR 200 Airline, PC visor	H03-1021
	SR 200 Airline, glass visor	H03-1221

Product Description

The Sundström SR 200 Airline Supplied Air Respirator Full Face Mask (SAR) is a Supplied Air Respirator (SAR) in Continuous Flow mode (CF) and is designed for connection to a compressed air supply. The unique feature of the SR 200 Airline (SAR) is the scope it provides for filter/cartridge back up. The breathing hose can be released from both the facepiece and the control valve. The equipment can then be used as an Air Purifying Respirator (APR). The SR 200 Airline (SAR) can be used as an alternative to Air Purifying Respirators in all situations in which the latter are recommended. This applies especially if the user is doing hard or sustained work, and if the pollutants have poor warning properties or are particularly toxic.

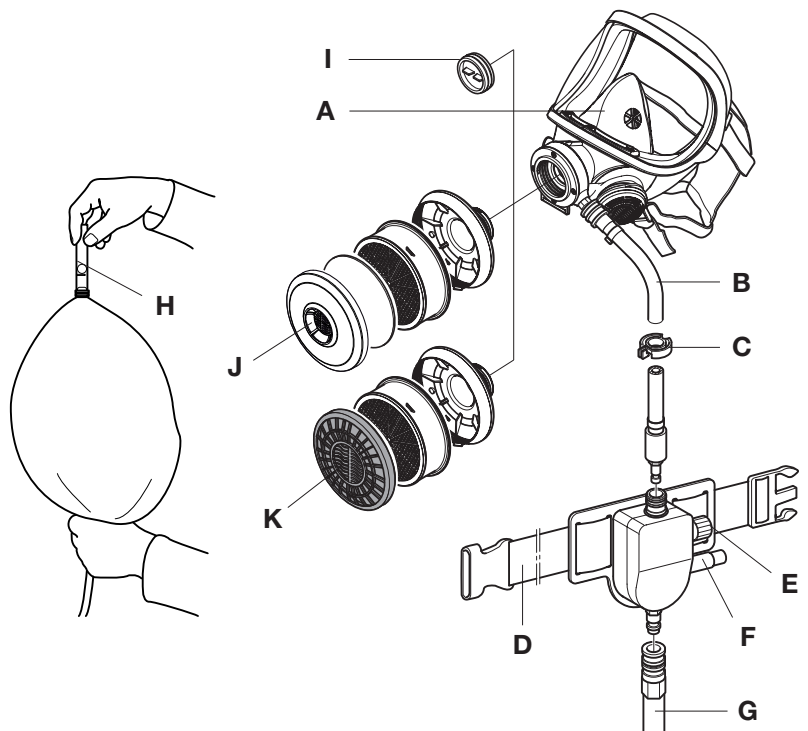
The SR 200 Airline (SAR) is made of materials that are not liable to give rise to sparking when subjected to friction, which enables the device to be used in an explosive or fire-hazardous environment. Control valve, flow meter and warning whistle for temporary and continuous monitoring of the air flow are included.

Technical specification

	SR 200 Airline	42 CFR part 84
Working pressure	58-102 PSI (4-7 bar)	-
Air flow rate	5.3 CFM (150 l/min) to 13.8 CFM (390 l/min)	≥ 4.1 CFM (115 l/min)
Storage temperature	4 to 104 °F (-20 to +40 °C), < 90 % RH	-
Service temperature	14 to 131 °F (-10 to +55 °C), < 90 % RH	-
Weight without control valve	≈ 25 Ounce (710 g)	-
Low flow warning level	5.3 CFM (150 l/min)	-
Protection factor ¹	1000	-
Approvals	NIOSH 42 CFR part 84	

1) Specified by OSHA and applies generally to all Full Face Masks Supplied Air Respirator Continuous flow mode (SAR) when the employer implements a continuing, effective respirator program as required by this section (29 CFR 1910.134).

- A. Full-face mask
- B. Breathing hose with check valve
- C. Retaining clip
- D. Belt
- E. Control valve
- F. Warning whistle
- G. Compressed air hose
- H. Flow meter
- I. Sealing plug
- J. Filter
- K. Filter with sealing cover



Sundstrom Safety Inc.
 20 North Blossom St.
 East Providence, RI 02914
 Office: 1-401-434-7300
 Toll Free: 1-877-SUNDSTROM
 Fax: 1-401-434-8300
 info@srsafety.com
 www.srsafety.com

Sundström 
 www.srsafety.com