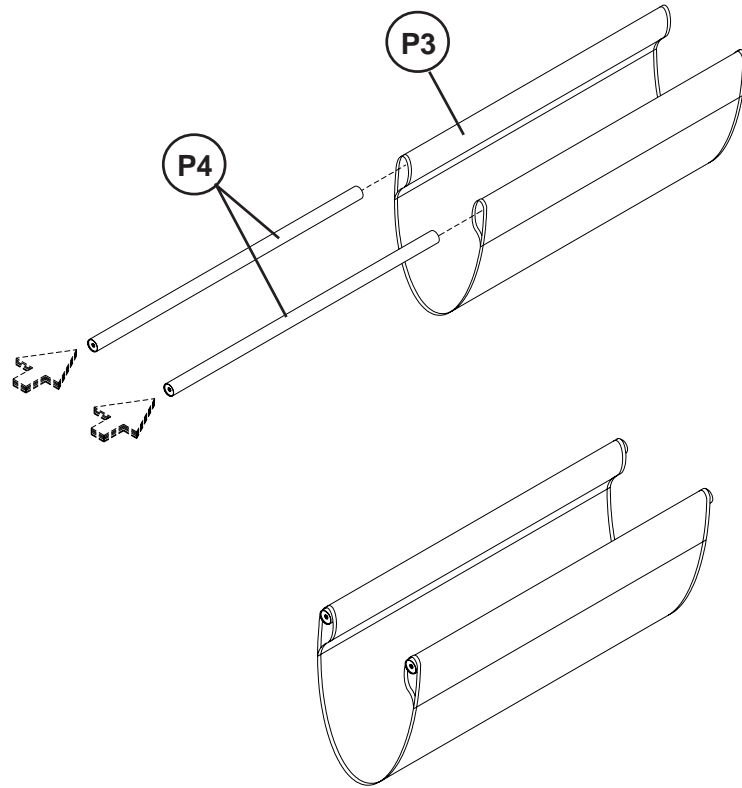
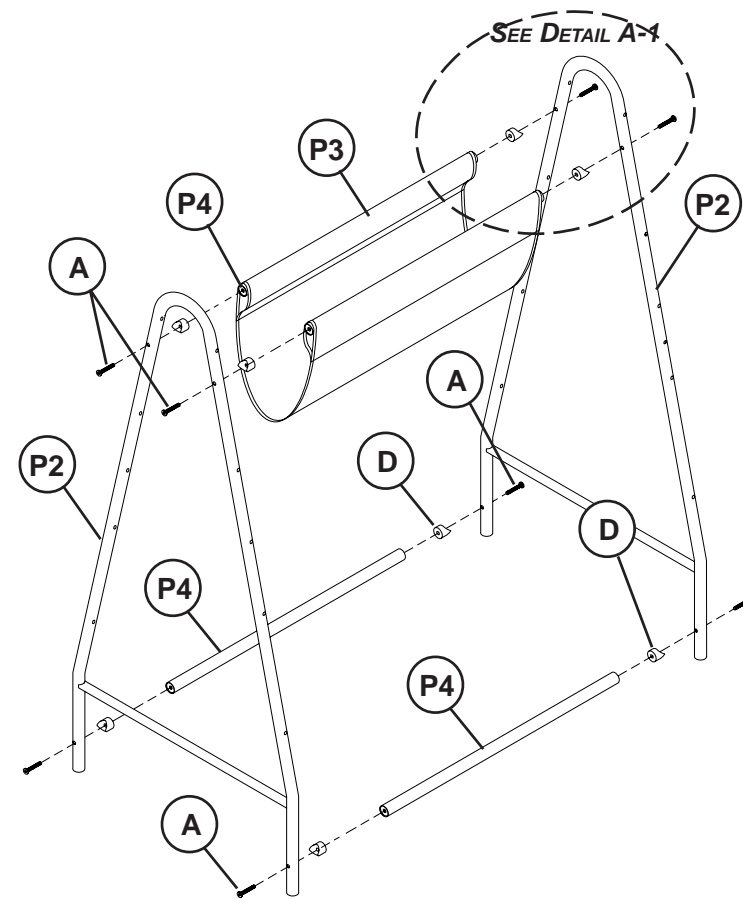


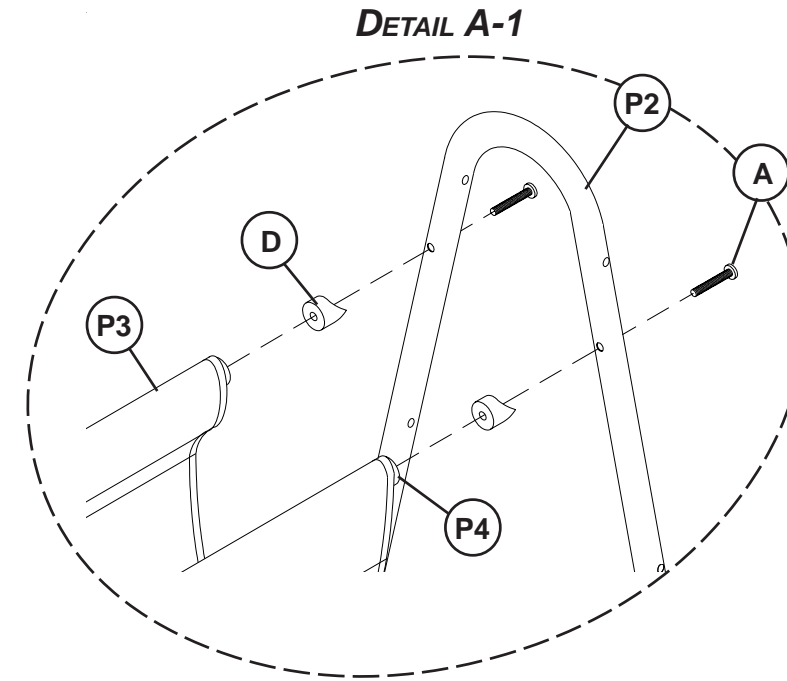
1 Insert 2 Crossbraces (P4) Through Nylon Shelf(P3) as shown



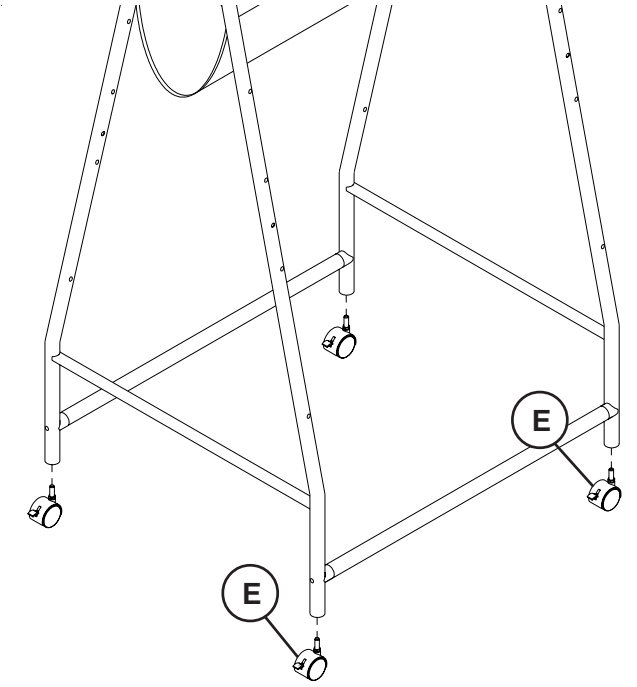
2 Attach 4 Crossbraces (P4), 2 with Nylon Shelf (P3) to Leg Assemblies (P2).



3 Use 8 Plastic Tube Connectors (D)

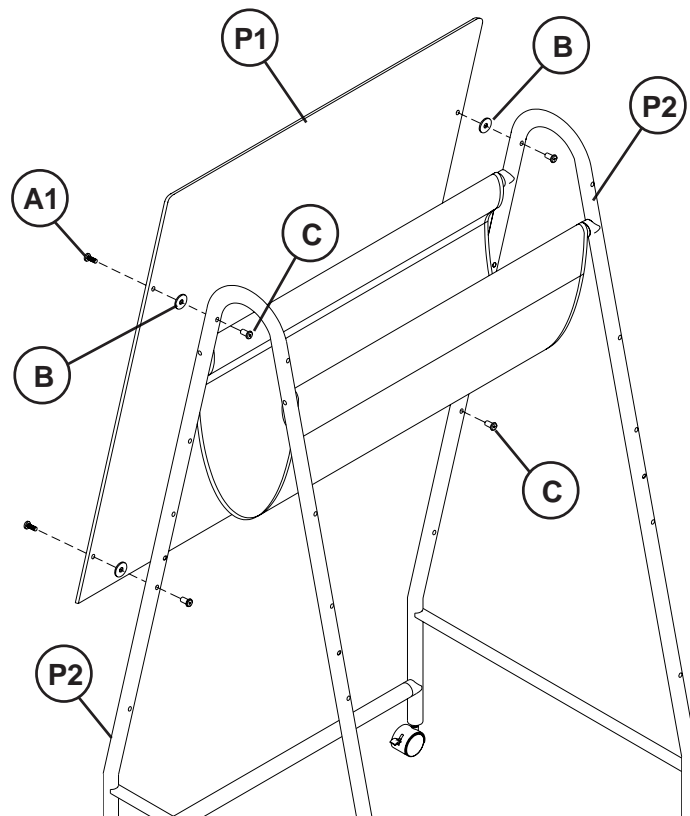


4 Install 4 Locking Casters(D). Use Caster Wrench (G) to tighten casters.



5 Attach Markerboard (P1).

Tighten screws using Allen Wrench (F).



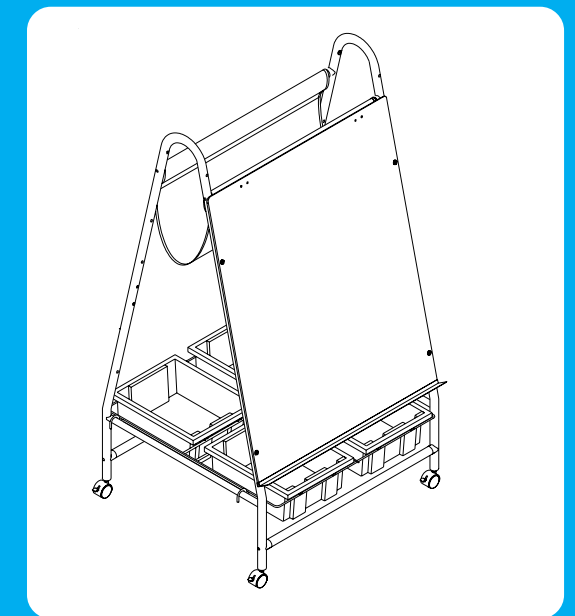
Parts List			
P1		Board	1 EA
P2		Leg	2 EA
P3		Nylon Shelf	1 EA
P4		Crossbrace	4 EA
P5		Wire Rack	1 EA
P6		Storage Tub	4 EA

Hardware List			
A		Screw M6 X 46mm	8 EA
A1		Screw M6 X 25mm	4 EA
B		Flat Washer 22mm	4 EA
C		Interior Threaded Post M6 X 18mm	4 EA
D		Plastic Tube Connector	4 EA
E		2" Locking Caster	4 EA
F		Allen Wrench	2 EA
G		Caster Wrench	1 EA

BRT-storwheasel_10/06/05

BEST-RITE®
"It's A Better Board"

**Storage Wheasel
Markerboard**

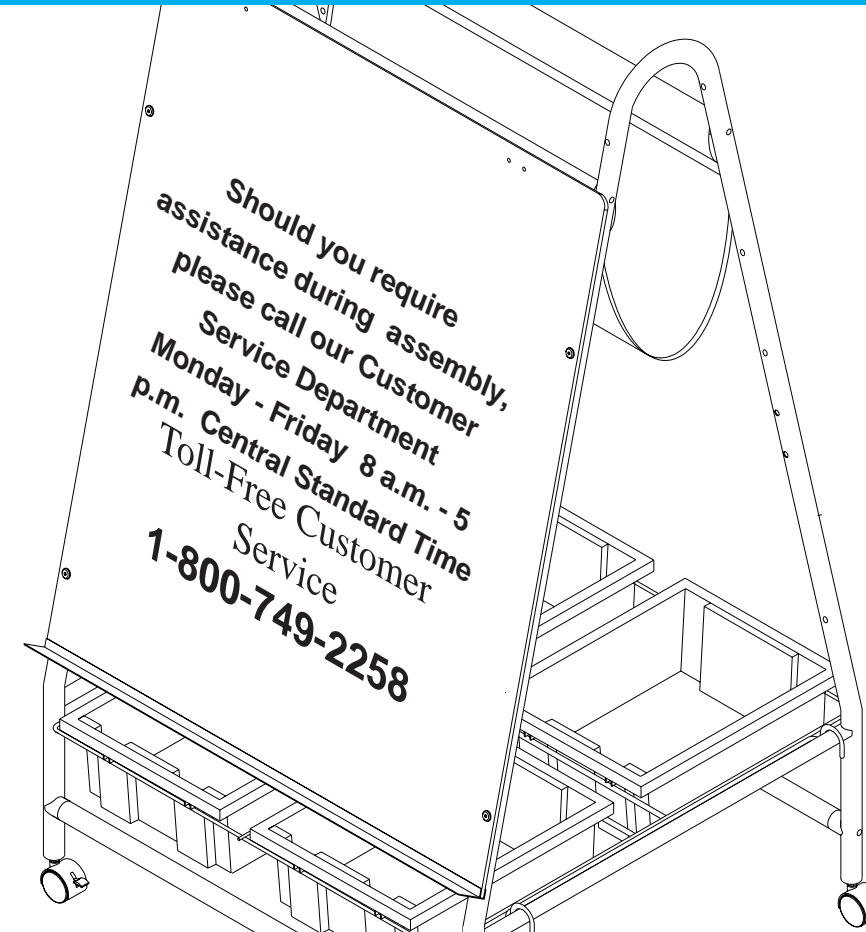
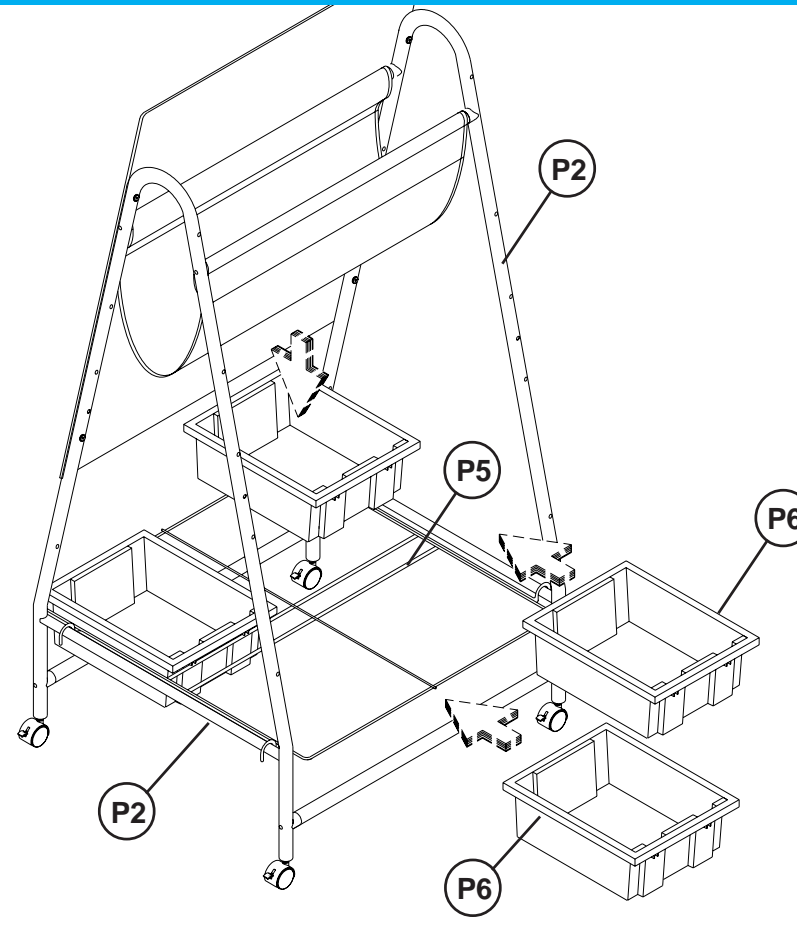
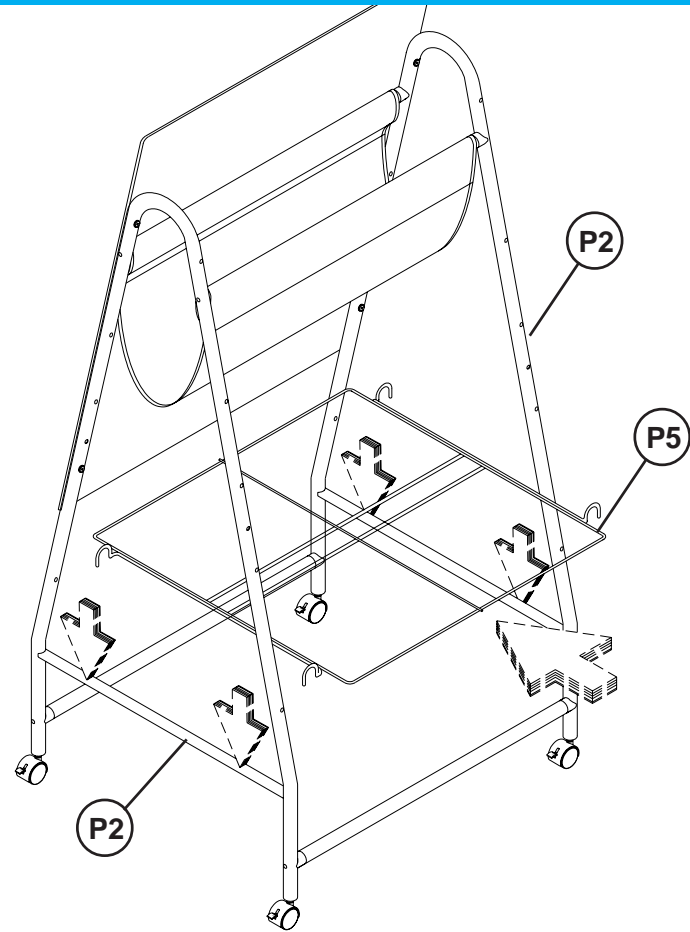


6 Attach Wire Rack (P5).

7 Insert 4 StorageTubs (P6).

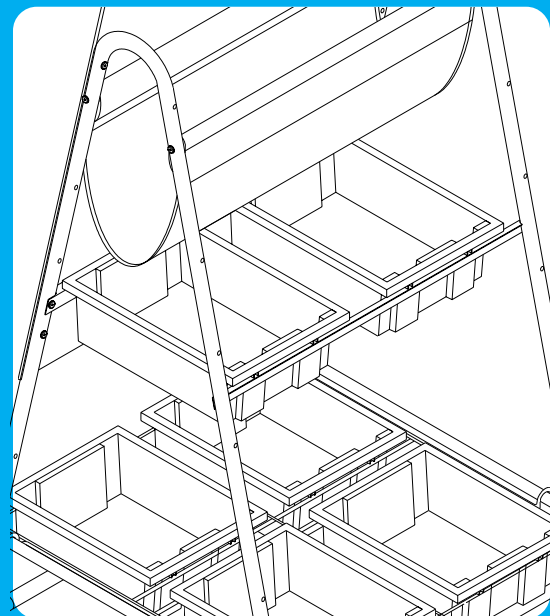
BEST-RITE®
"It's A Better Board"

Missing Parts or UPS Damaged Parts
 For Your Convenience you can
 EMAIL us at
boards@bestrite.com
 24HOURS 7 DAYS A WEEK



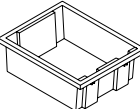
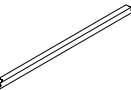


BEST-RITE®
"It's A Better Board"

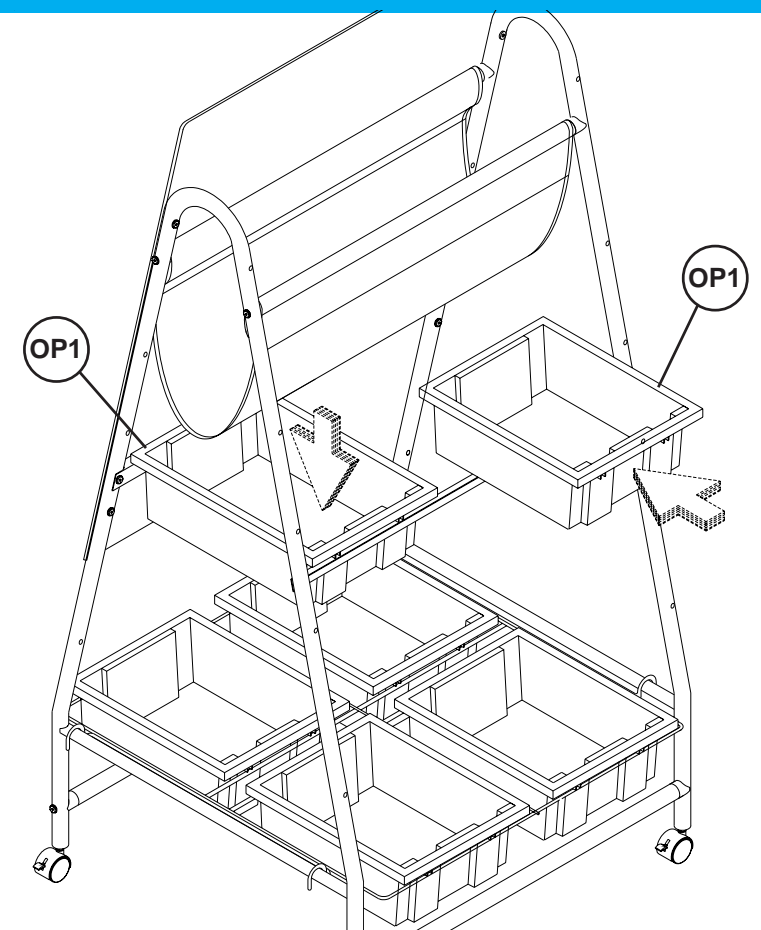
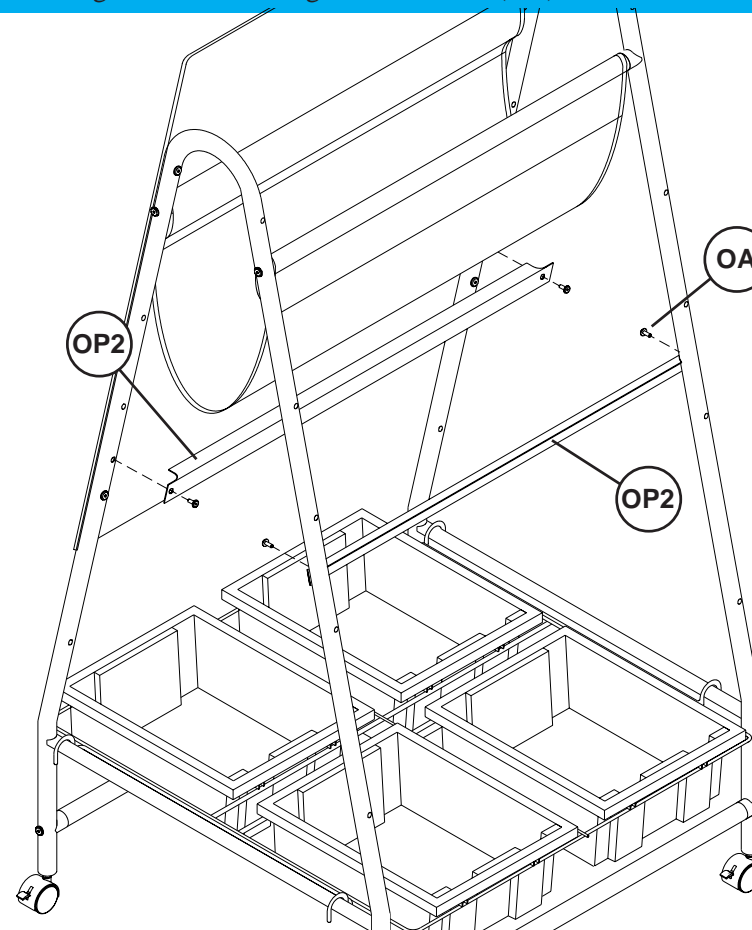
OPTIONAL STORAGE TUBS
 Storage Wheasel



1 Attach Metal Rails (OP2).
 Tighten Screws using Allen Wrench (OB).

2 Insert 2 Storage Tubs (OP1).

Parts List			
OP1		Storage Tub	2 EA
OP2		Metal Rail	2 EA
OA		Screw M6 X 18mm	4 EA
OB		Allen Wrench	1 EA



Storage Wheasel

Mobile Easel with Storage Tubs

BEST-RITE®
"It's A Better Board"
 For more information
1-800-749-2258

