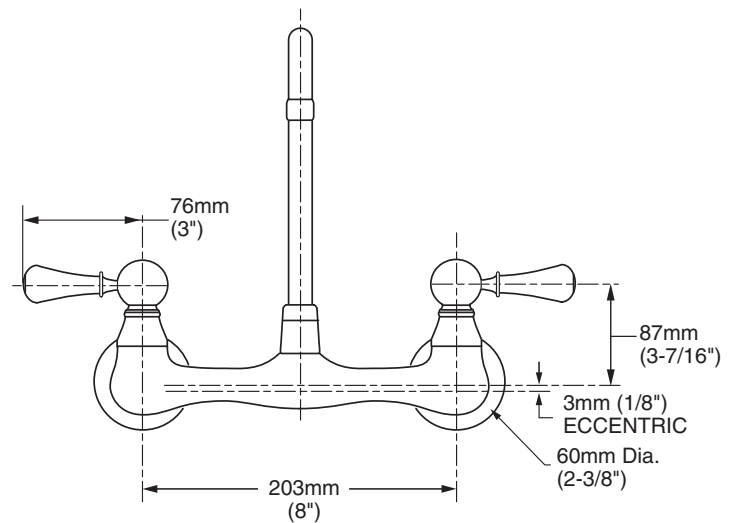
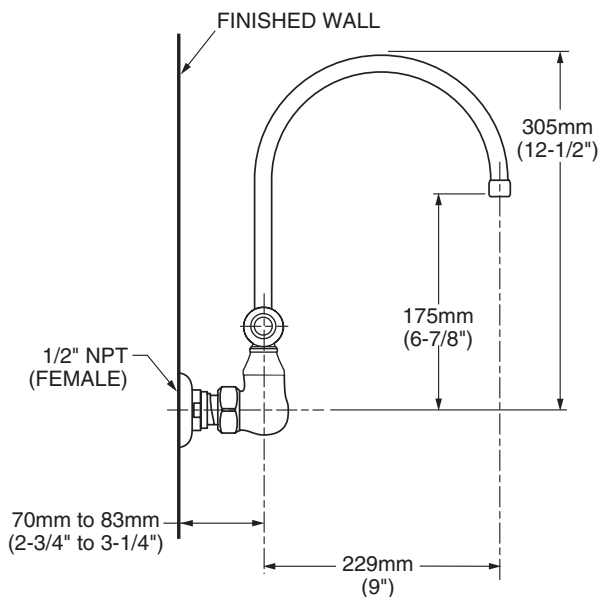




7293.252 Shown

**MODEL NUMBER:**

- **7293.252 Wall-Mount Sink Faucet**  
Gooseneck swivel spout. Porcelain Lever Handles.



**GENERAL DESCRIPTION:**

Durable brass construction throughout. Amaris 1/4 turn washerless ceramic disc valve cartridges. One-half inch NPT female inlets with brass coupling nuts. Brass gooseneck swivel spout. 2.2gpm/8.3L/min. maximum flow rate.

**PRODUCT FEATURES:**

**Ceramic Disc Valve Cartridges:** Assures a lifetime of drip-free performance.

**Solid Brass Construction:** Durable - Excellent in high use applications. Ideal for prolonged contact with water.

**Lead Free:** Faucet contains ≤ 0.25% total lead content by weighted average.

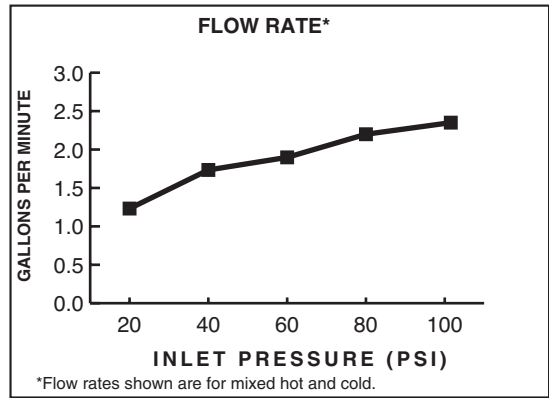
**SUGGESTED SPECIFICATION:**

Wall-mount sink faucet shall be cast brass construction with all brass coupling nuts. Shall also feature 1/4 turn washerless ceramic disc valve cartridges. Fitting shall be American Standard Model #7293.252.002.


**CODES AND STANDARDS**

These products meet or exceed the following codes and standards:

- ANSI A117.1**
- ASME A112.18.1**
- CSA B 125**
- NSF 61/Section 9 & Annex G**



Product Number	Description	Finish
		Polished Chrome
7293.252	Wall-mount sink faucet. Brass Gooseneck spout. Porcelain Lever Handles.	002

 Meets the American Disabilities Act Guidelines and **ANSI A117.1** Requirements for the physically challenged.