

WASHBROOK® FloWise® UNIVERSAL URINAL

- Vitreous china
- Ultra High Efficiency, Low Consumption. Operates in the range of 0.125gpf to 1.0gpf (0.5 Lpf to 3.8 Lpf)
- Flushing rim
- Elongated 14" rim from finished wall
- Washout flush action
- Extended sides for privacy
- 3/4" inlet spud
- Outlet connection threaded 2" inside (NPTF)
- 2 wall hangers
- Fixture only
- Strainer included
- Meets ASME flush requirements at 0.125 to 1.0 gpf

6590.001 Universal Top spud

6515.001 Universal Back spud

Nominal Dimensions:

360 x 480 x 664mm

(14-1/8" x 18-7/8" x 26-1/8")

Recommended working pressure – between
20 psi at valve when flushing and 80 psi static

Compliance Certifications -

Meets or Exceeds the Following Specifications:

- ASME A112.19.2-2008/CSA B45.1-08 for Vitreous China Fixtures



SEE REVERSE FOR ROUGHING-IN DIMENSIONS

To Be Specified:

Color: White

Flush Valve:

1.0 gpf Flush Valve: Sensor-Operated:

American Standard Selectronic® #6063.101.002
DC Power (Top Spud)

American Standard Selectronic® #6062.310.007
AC Power (Back Spud)

1.0 gpf Flush Valve: Manual-Operated:

American Standard # 6045.101.002

0.5 gpf Flush Valve: Sensor-Operated:

American Standard Selectronic® #6063.051.002
DC Power (Top Spud)

American Standard Selectronic® #6062.305.007
AC Power (Back Spud)

0.5 gpf Flush Valve: Manual-Operated:

American Standard #6045.051.002

0.125 gpf Flush Valve: Sensor-Operated:

American Standard Selectronic® #6063.013.002
DC Power (Top Spud)

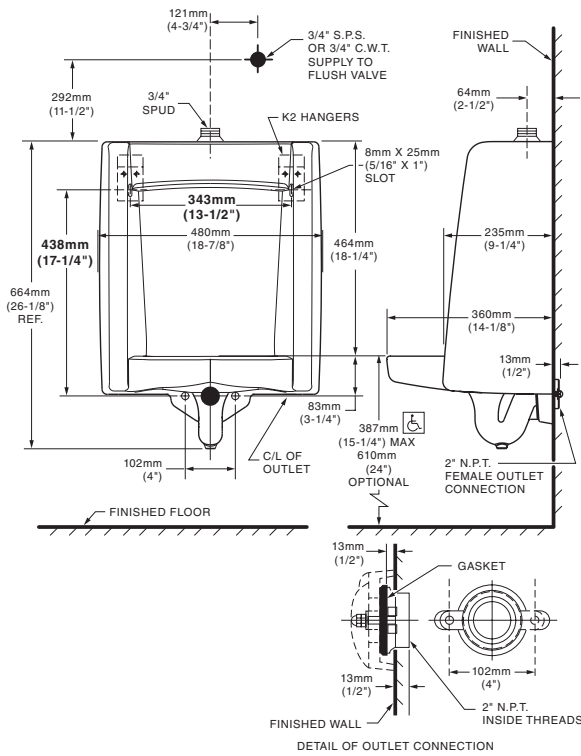
American Standard Selectronic® #6062.301.007
AC Power (Back Spud)

0.125 gpf Flush Valve: Manual-Operated:

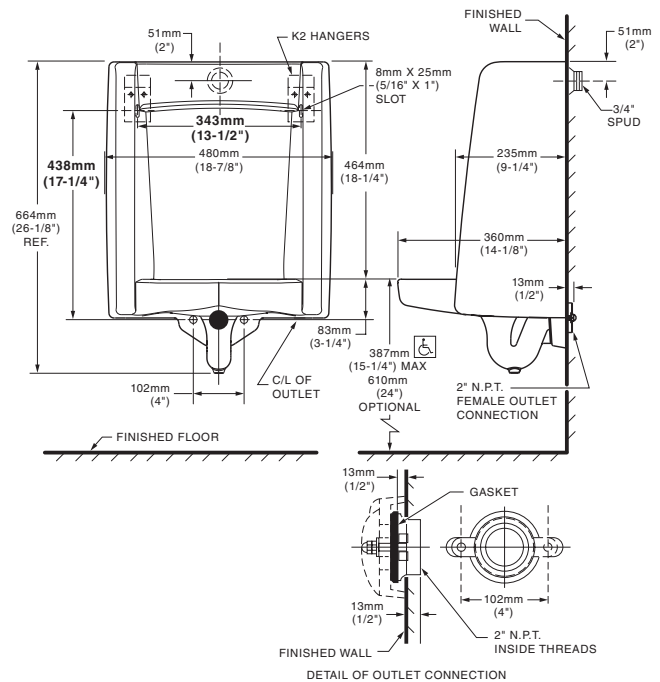
American Standard #6045.013.002



6590.001 TOP SPUD



6515.001 BACK SPUD



MEETS THE AMERICANS WITH DISABILITIES ACT GUIDELINES AND ANSI A117.1 ACCESSIBLE AND USABLE BUILDINGS AND FACILITIES - CHECK LOCAL CODES.

- When installed so top of rim is 387mm (15-1/4") from finished floor.

NOTES:

FLUSH VALVE NOT INCLUDED AND MUST BE ORDERED SEPARATELY. PROVIDE SUITABLE REINFORCEMENT FOR ALL WALL SUPPORTS.

IMPORTANT: Dimensions of fixtures are nominal and may vary within the range of tolerances established by ANSI Standard A112.19.2. These measurements are subject to change or cancellation. No responsibility is assumed for use of superseded or voided pages.