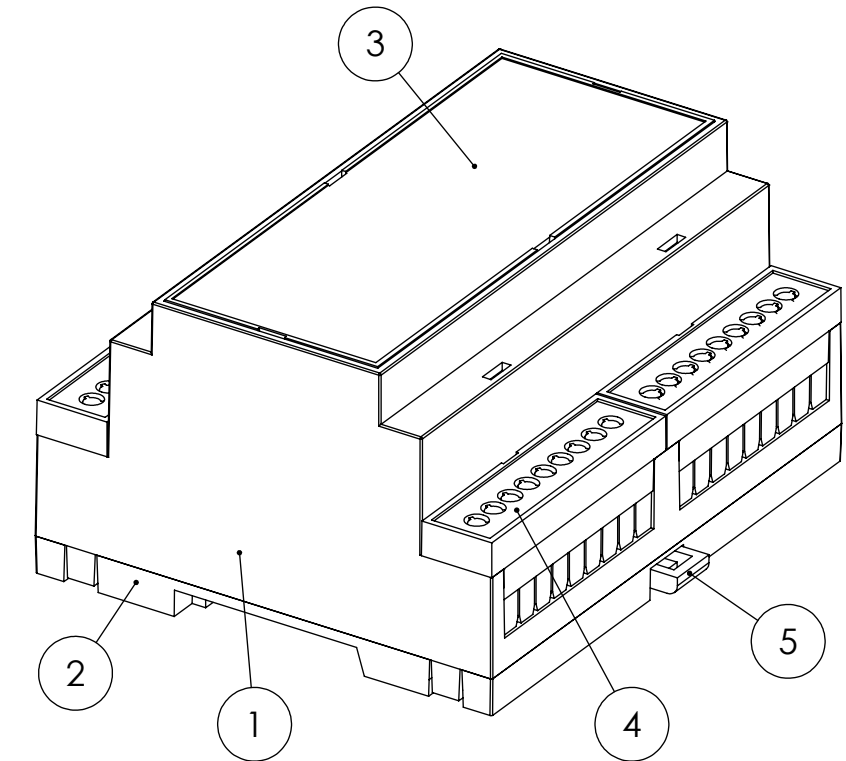
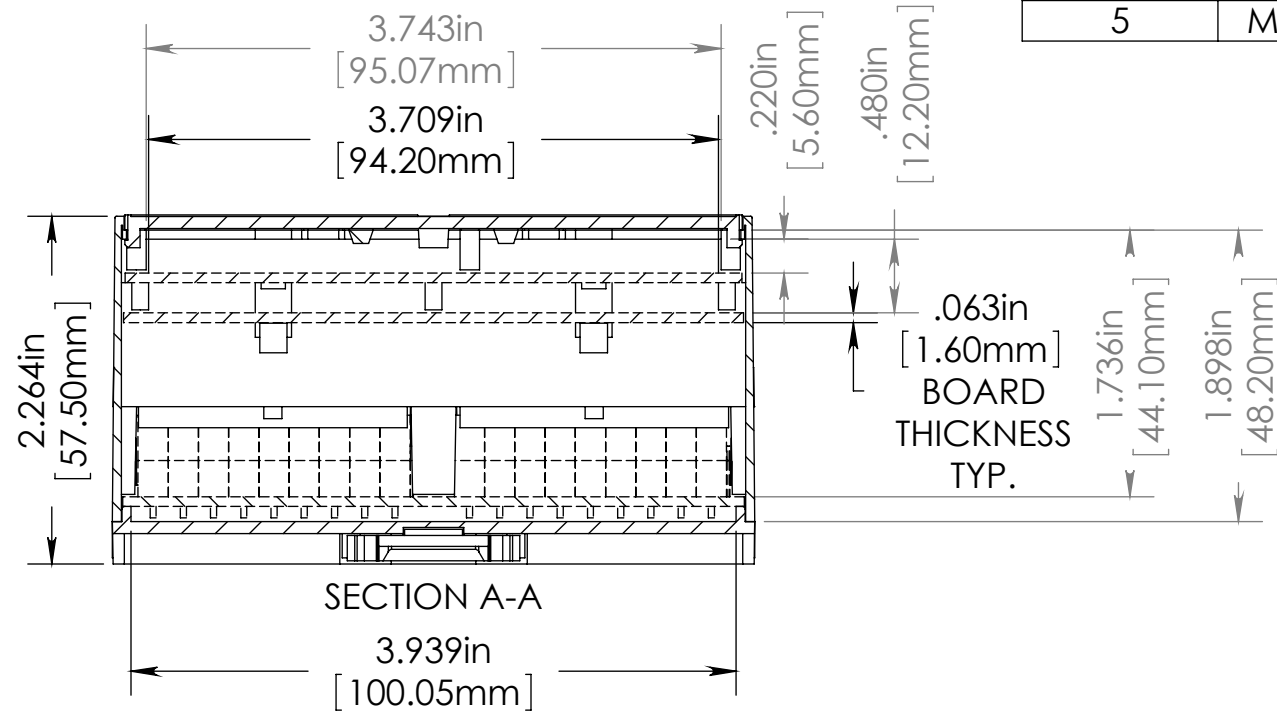


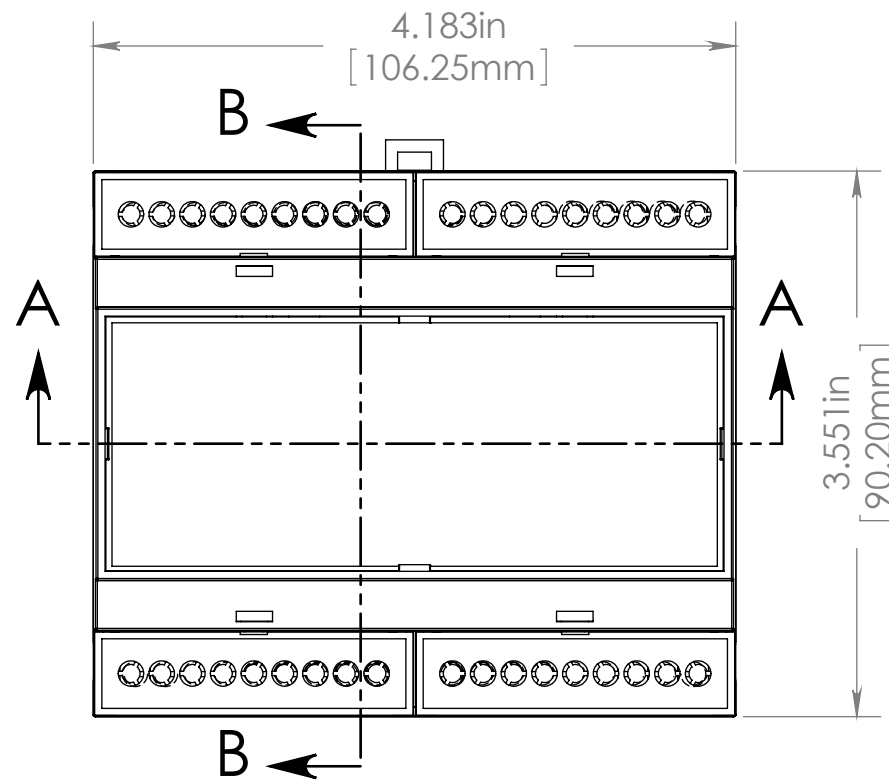
THE INFORMATION CONTAINED IN THIS DRAWING IS THE SOLE PROPERTY OF BUD INDUSTRIES INC. ANY REPRODUCTION IN PART OR WHOLE WITHOUT THE WRITTEN PERMISSION OF BUD INDUSTRIES INC. IS PROHIBITED.

ITEM NO.	DISCRIPTION	MATERIAL	COLOR	QTY.
1	BODY	PC/ABS UL94V-0	GRAY	1
2	BASE	PC/ABS UL94V-0	GRAY	1
3	COVER	PC/ABS UL94V-0	GRAY	1
4	GUARD	PC/ABS UL94V-0	GRAY	4
5	MOUNTING CLIP	NYLON 66	DARK GRAY	1

DWG. NO.	DMB-4773
ISSUE	REVISIONS
(A)	REVISIONS 12-7-10 DAB

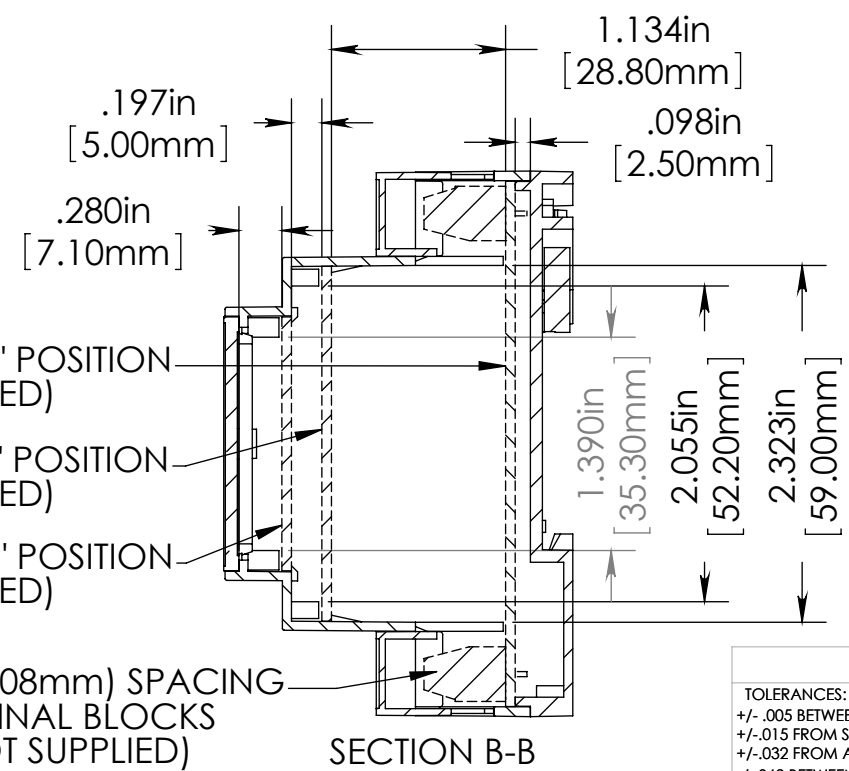


VIEW SCALE 1:1.25



- CIRCUIT BOARD "A" POSITION (NOT SUPPLIED)
- CIRCUIT BOARD "B" POSITION (NOT SUPPLIED)
- CIRCUIT BOARD "C" POSITION (NOT SUPPLIED)

.200in. (5.08mm) SPACING  
TERMINAL BLOCKS  
(NOT SUPPLIED)



OPTIONAL ACCESSORIES / REPLACEMENT PARTS	PART NUMBER
CLEAR POLYCARBONATE COVER	DMB-4773-CC
INFRA-RED COVER	DMB-4773-IRC
TERMINAL GUARD (PACK OF 2)	DMB-4761-TG
MOUNTING CLIP	DMB-4764-MC

TOLERANCES:	
+/- .005 BETWEEN HOLE CENTERS	
+/- .015 FROM SHEARED EDGE	
+/- .032 FROM A BENT SURFACE	
+/- .062 BETWEEN ASSEMBLED SURFACES	
UNLESS OTHERWISE SPECIFIED	
MATERIAL	AS NOTED
FINISH	AS NOTED
DO NOT SCALE DRAWING	

PARTS LIST	
CAD GENERATED DRAWING, DO NOT MANUALLY UPDATE	
APPROVALS	DATE
DRAWN DH	7/26/10
CHECKED	
APPROVED	

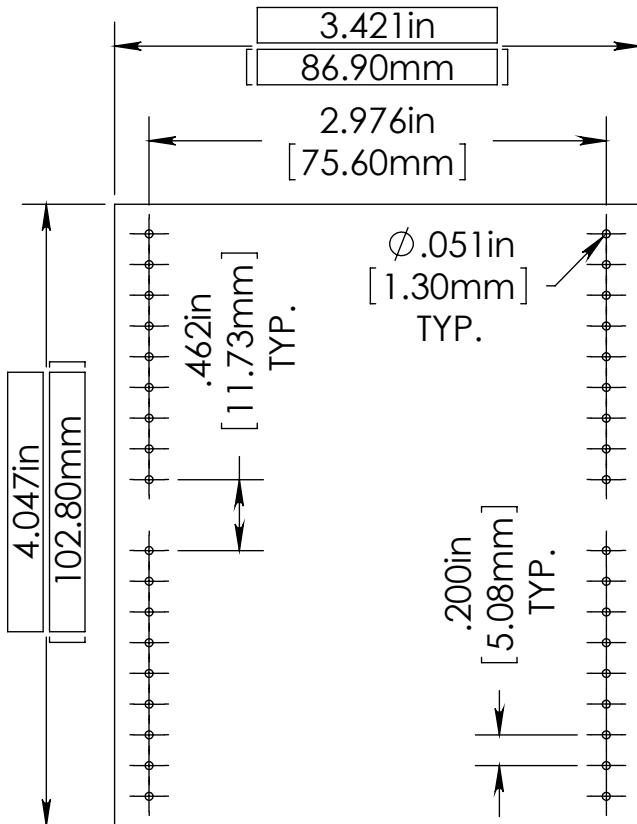
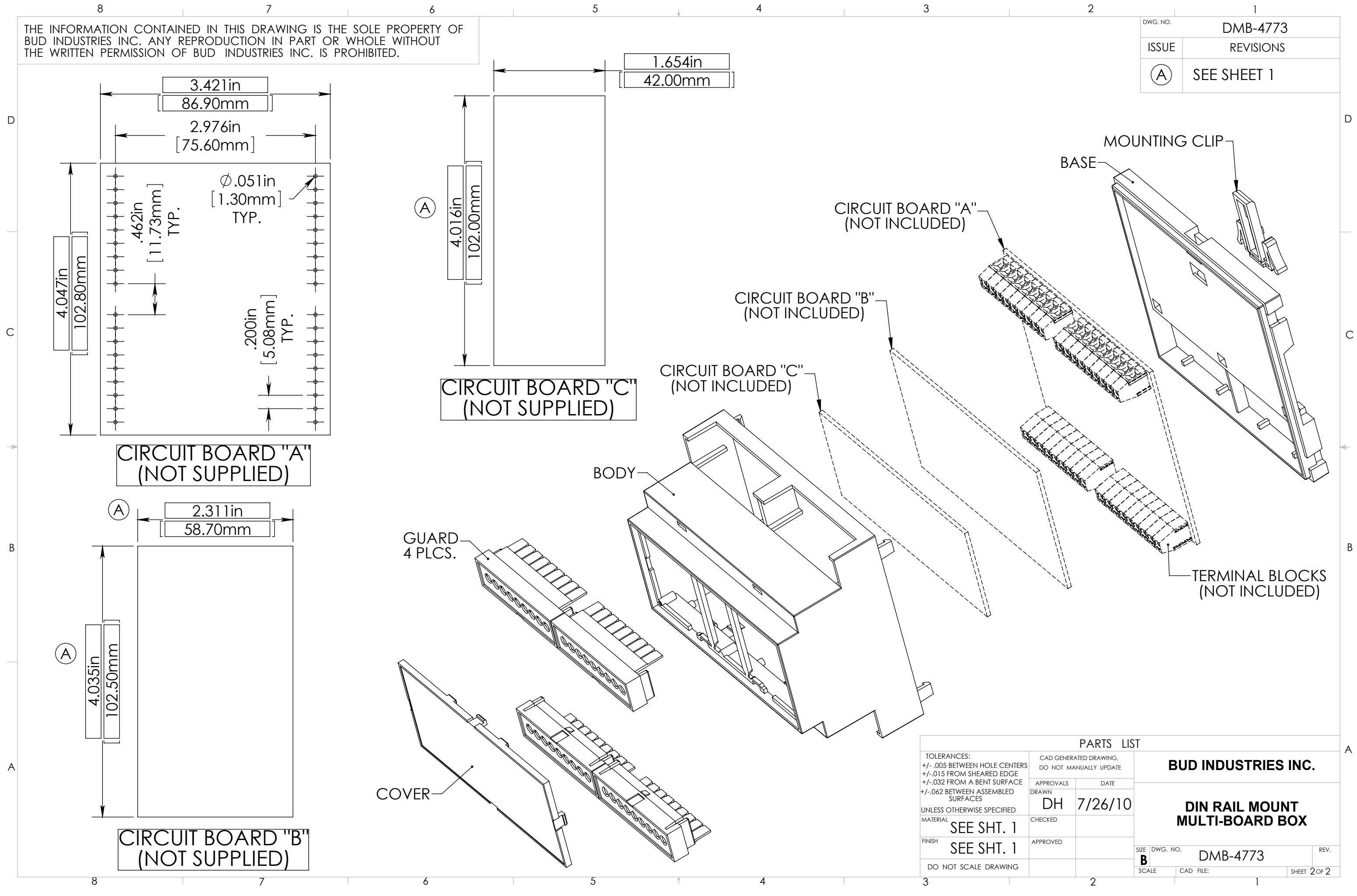
**BUD INDUSTRIES INC.**

**DIN RAIL MOUNT  
MULTI-BOARD BOX**

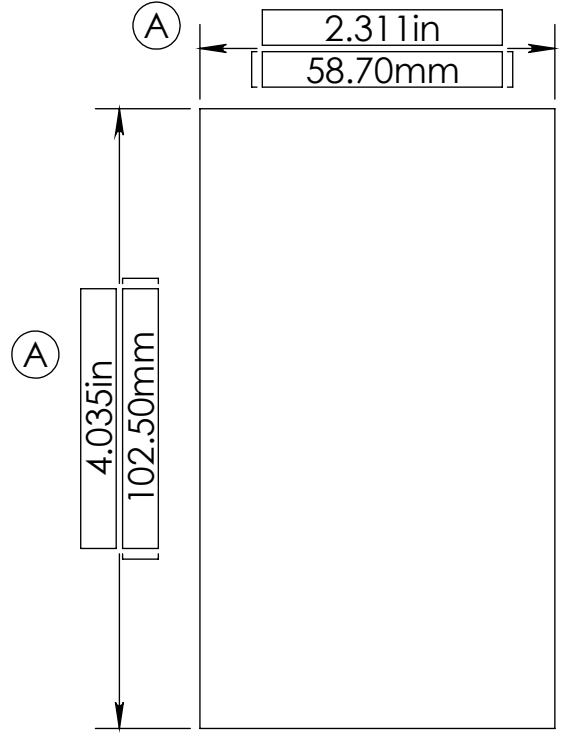
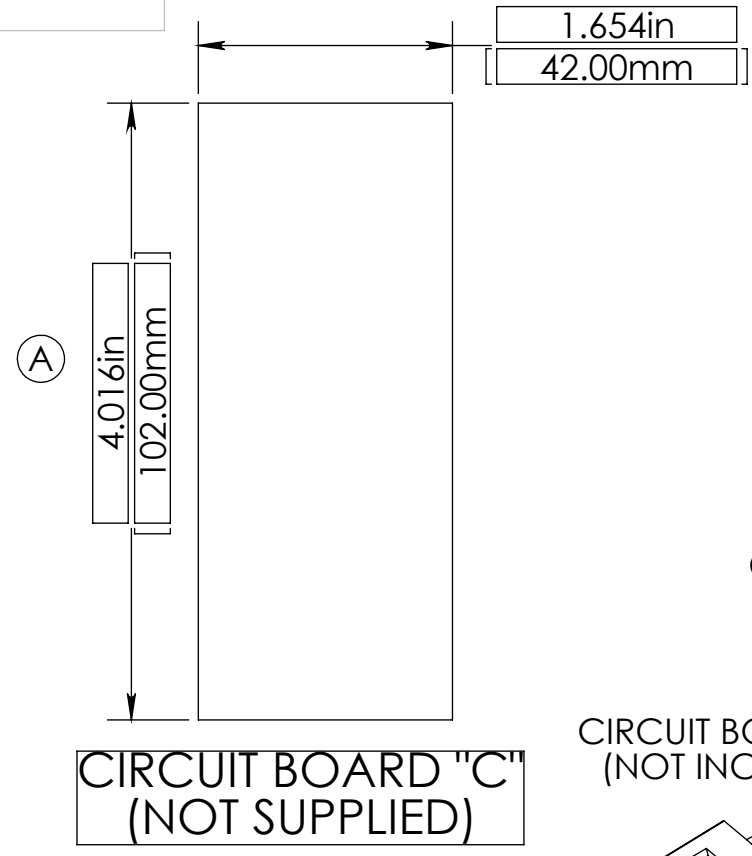
SIZE	DWG. NO.	REV.
<b>B</b>	DMB-4773	
SCALE	CAD FILE:	SHEET 1 OF 2

THE INFORMATION CONTAINED IN THIS DRAWING IS THE SOLE PROPERTY OF  
 BUD INDUSTRIES INC. ANY REPRODUCTION IN PART OR WHOLE WITHOUT  
 THE WRITTEN PERMISSION OF BUD INDUSTRIES INC. IS PROHIBITED.

DWG. NO.	DMB-4773	
ISSUE	REVISIONS	
(A)	SEE SHEET 1	



CIRCUIT BOARD "A"  
(NOT SUPPLIED)



CIRCUIT BOARD "B"  
(NOT SUPPLIED)

TOLERANCES:		PARTS LIST	
+/- .005 BETWEEN HOLE CENTERS	CAD GENERATED DRAWING, DO NOT MANUALLY UPDATE	<b>BUD INDUSTRIES INC.</b>	
+/- .015 FROM SHEARED EDGE			
+/- .032 FROM A BENT SURFACE		APPROVALS	DATE
+/- .062 BETWEEN ASSEMBLED SURFACES		DRAWN	DH 7/26/10
UNLESS OTHERWISE SPECIFIED	MATERIAL	CHECKED	
FINISH		SEE SHT. 1	APPROVED
DO NOT SCALE DRAWING			
SIZE	DWG. NO.	REV.	
<b>B</b>	DMB-4773		
SCALE	CAD FILE:	SHEET	2 OF 2