



No.:

Date: 26-DEC-2012

Customer :

TECHNICAL PROPOSAL

Three-phase induction motor - Squirrel cage rotor

Product line : Three-Phase: W22 IEEE-841™ Petrochem Motors - NEMA Premium® Efficiency

Catalog Number : 00318ST3QIE182TC-W22

List Price : \$1,289

Notes:

Performed by:

Checked:



No.:

Date: 26-DEC-2012

DATA SHEET

Three-phase induction motor - Squirrel cage rotor

Customer :
Product line : Three-Phase: W22 IEEE-841™ Petrochem Motors - NEMA Premium® Efficiency

Frame : 182T
Output : 3 HP
Frequency : 60 Hz
Poles : 4
Full load speed : 1760
Slip : 2.22 %
Voltage : 460 V
Rated current : 3.88 A
Locked rotor current : 31.4 A
Locked rotor current (I_L/I_n) : 8.1
No-load current : 2.00 A
Full load torque : 8.83 lb.ft
Locked rotor torque : 230 %
Breakdown torque : 340 %
Design : B
Insulation class : F
Temperature rise : 80 K
Locked rotor time : 23 s (hot)
Service factor : 1.25
Duty cycle : S1
Ambient temperature : -20°C - +40°C
Altitude : 1000
Degree of Protection : IP55
Approximate weight : 90 lb
Moment of inertia : 0.34005 sq.ft.lb
Noise level : 56 dB(A)

	D.E.	N.D.E.	Load	Power factor	Efficiency (%)
Bearings	6207 C3	6206 C3	100%	0.79	89.5
Regreasing interval	20000 h	20000 h	75%	0.73	88.5
Grease amount	7 g	5 g	50%	0.61	86.5

Notes:

Performed by

Checked

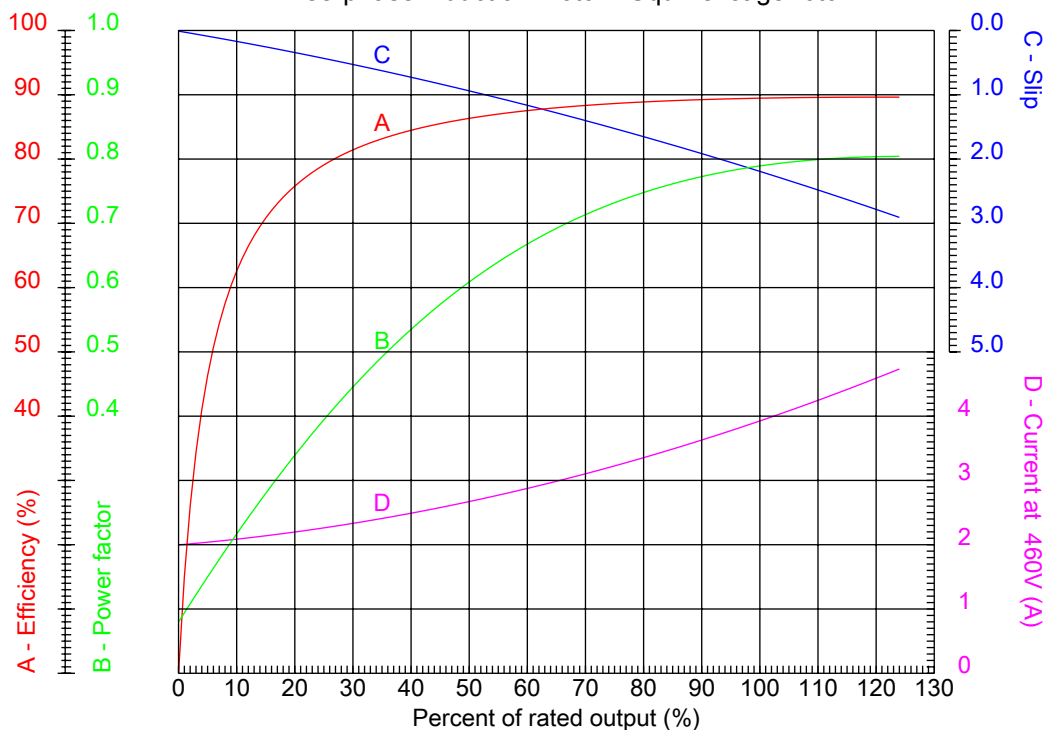


No.:

Date: 26-DEC-2012

PERFORMANCE CURVES RELATED TO RATED OUTPUT

Three-phase induction motor - Squirrel cage rotor



Customer :
Product line : Three-Phase: W22 IEEE-841™ Petrochem Motors - NEMA Premium® Efficiency

Frame	: 182T	Locked rotor current (I _l /I _n)	: 8.1
Output	: 3 HP	Duty cycle	: S1
Frequency	: 60 Hz	Service factor	: 1.25
Full load speed	: 1760	Design	: B
Voltage	: 460 V	Locked rotor torque	: 230 %
Rated current	: 3.88 A	Breakdown torque	: 340 %
Insulation class	: F		

Notes:

Performed by

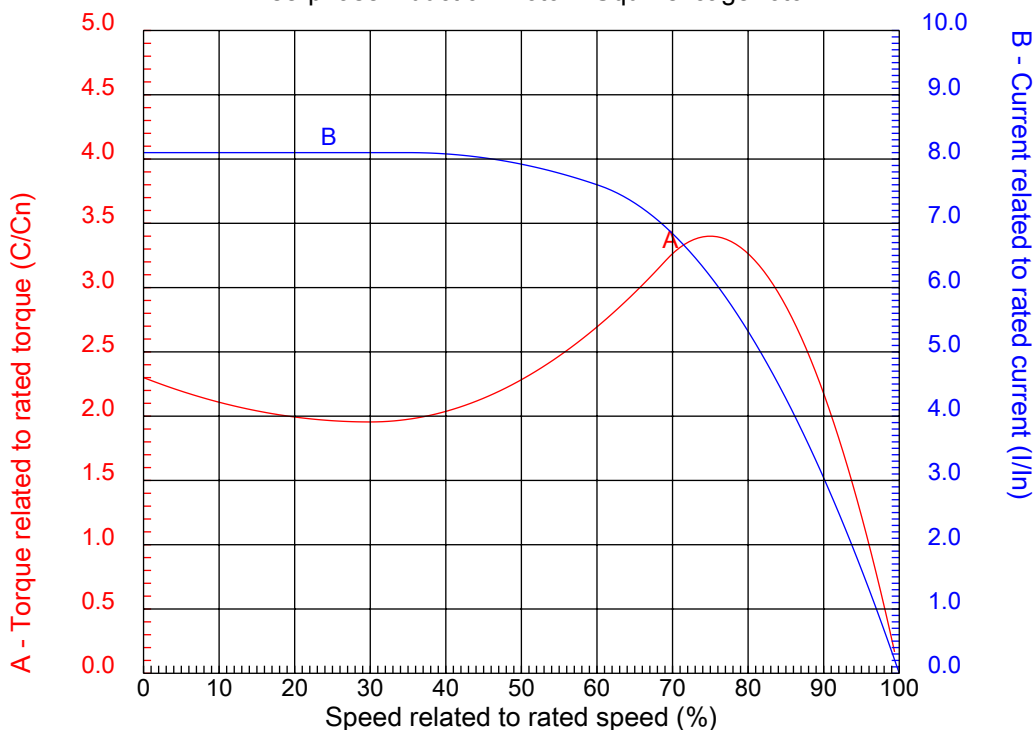
Checked



No.:

Date: 26-DEC-2012

CHARACTERISTIC CURVES RELATED TO SPEED Three-phase induction motor - Squirrel cage rotor



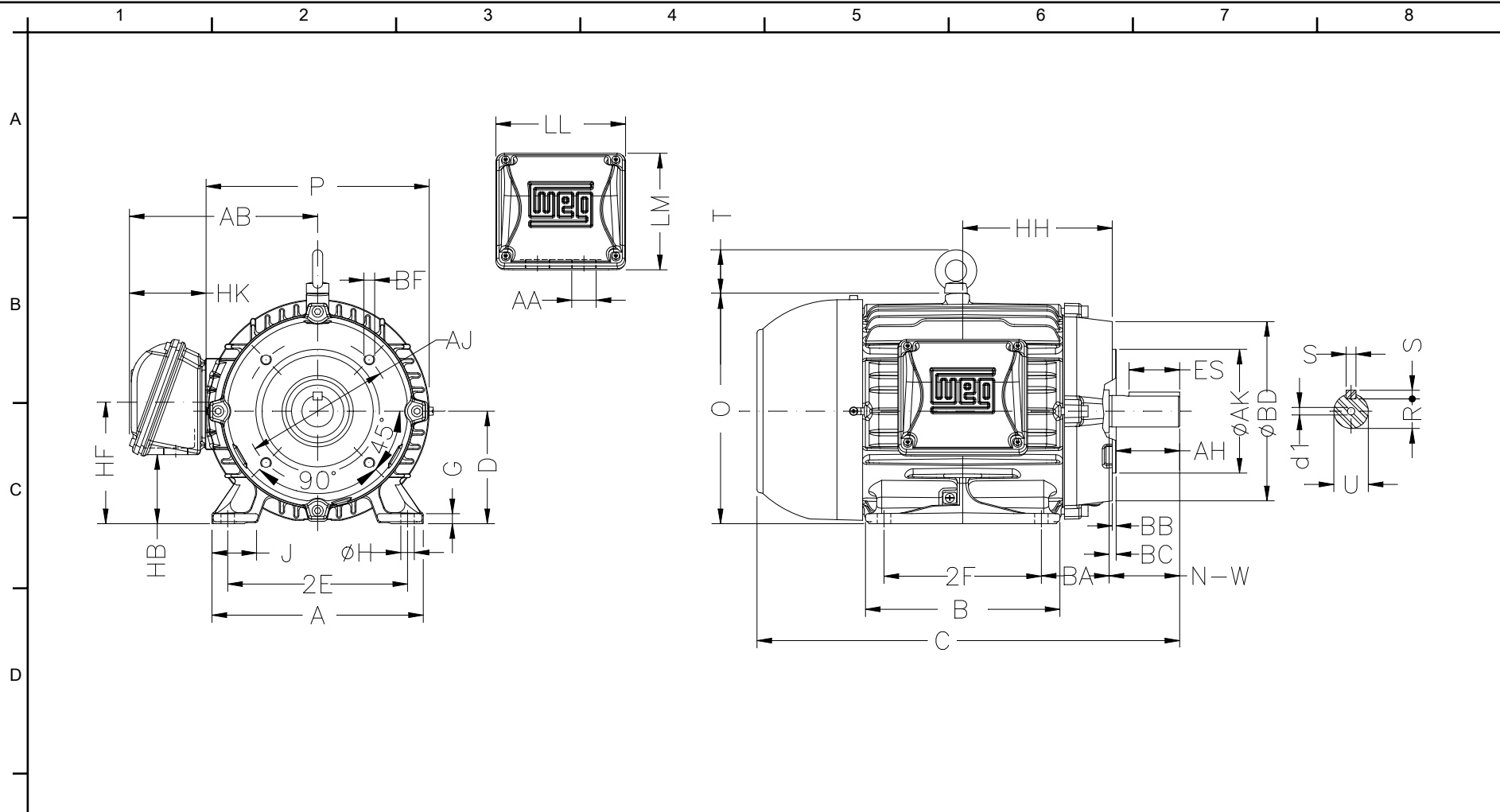
Customer :
Product line : Three-Phase: W22 IEEE-841™ Petrochem Motors - NEMA Premium® Efficiency

Frame	: 182T	Locked rotor current (I _l /I _n)	: 8.1
Output	: 3 HP	Duty cycle	: S1
Frequency	: 60 Hz	Service factor	: 1.25
Full load speed	: 1760	Design	: B
Voltage	: 460 V	Locked rotor torque	: 230 %
Rated current	: 3.88 A	Breakdown torque	: 340 %
Insulation class	: F		

Notes:

Performed by

Checked



E	2E	J	A	P	AB
	7.500	1.594	8.661	8.740	7.559
F	2F	B	BA	U	N-W
	4.500	5.945	2.750	1.125	2.750
	ES	S	R	depth	D
	1.969	0.250	0.984	0.250	4.500
F	G	HB	O	T	HD
	0.394	2.236	9.343	1.772	11.115
F	HF	HH	HK	H	C
	4.500	5.000	3.110	0.406	14.860
F	LL	LM	AA	d1	d2
	5.512	5.236	NPT 1"	A4	A4
F	Flange FC-184	AJ	AK	BD	BF
		7.250	8.500	8.875	UNC 1/2"x13
F	BB	BC	AH		
	0.250	0.125	2.625		

Notes:		
Performed by:		
Checked:		
Customer:		
Three-Phase: W22 IEEE-841™ Petrochem Motors - NEMA Premium® Efficiency		
Three-phase induction motor Frame 182T - IP55	26-DEC-2012	