



No.:

Date: 26-DEC-2012

Customer :

TECHNICAL PROPOSAL

Three-phase induction motor - Squirrel cage rotor

Product line : Three-Phase: W22 IEEE-841™ Petrochem Motors - NEMA Premium® Efficiency

Catalog Number : 00336ST3QIE182TC-W22

List Price : \$1,332

Notes:

Performed by:

Checked:



No.:

Date: 26-DEC-2012

DATA SHEET

Three-phase induction motor - Squirrel cage rotor

Customer :
Product line : Three-Phase: W22 IEEE-841™ Petrochem Motors - NEMA Premium® Efficiency

Frame : 182T
Output : 3 HP
Frequency : 60 Hz
Poles : 2
Full load speed : 3510
Slip : 2.50 %
Voltage : 460 V
Rated current : 3.63 A
Locked rotor current : 30.1 A
Locked rotor current (I_L/I_n) : 8.3
No-load current : 1.40 A
Full load torque : 4.43 lb.ft
Locked rotor torque : 240 %
Breakdown torque : 380 %
Design : B
Insulation class : F
Temperature rise : 80 K
Locked rotor time : 41 s (hot)
Service factor : 1.25
Duty cycle : S1
Ambient temperature : -20°C - +40°C
Altitude : 1000
Degree of Protection : IP55
Approximate weight : 88 lb
Moment of inertia : 0.18889 sq.ft.lb
Noise level : 69 dB(A)

	D.E.	N.D.E.	Load	Power factor	Efficiency (%)
Bearings	6207 C3	6206 C3	100%	0.88	86.5
Regreasing interval	20000 h	20000 h	75%	0.84	86.5
Grease amount	7 g	5 g	50%	0.75	82.5

Notes:

Performed by

Checked

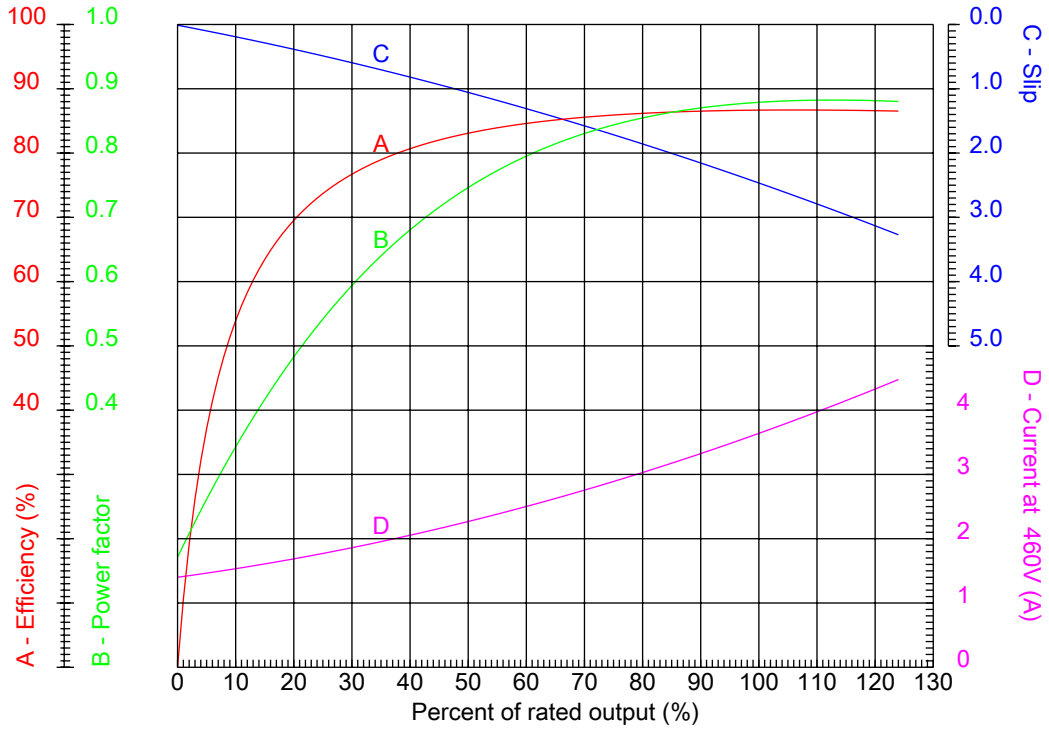


No.:

Date: 26-DEC-2012

PERFORMANCE CURVES RELATED TO RATED OUTPUT

Three-phase induction motor - Squirrel cage rotor



Customer :
Product line : Three-Phase: W22 IEEE-841™ Petrochem Motors - NEMA Premium® Efficiency

Frame : 182T	Locked rotor current (I _L /I _n) : 8.3
Output : 3 HP	Duty cycle : S1
Frequency : 60 Hz	Service factor : 1.25
Full load speed : 3510	Design : B
Voltage : 460 V	Locked rotor torque : 240 %
Rated current : 3.63 A	Breakdown torque : 380 %
Insulation class : F	

Notes:

Performed by

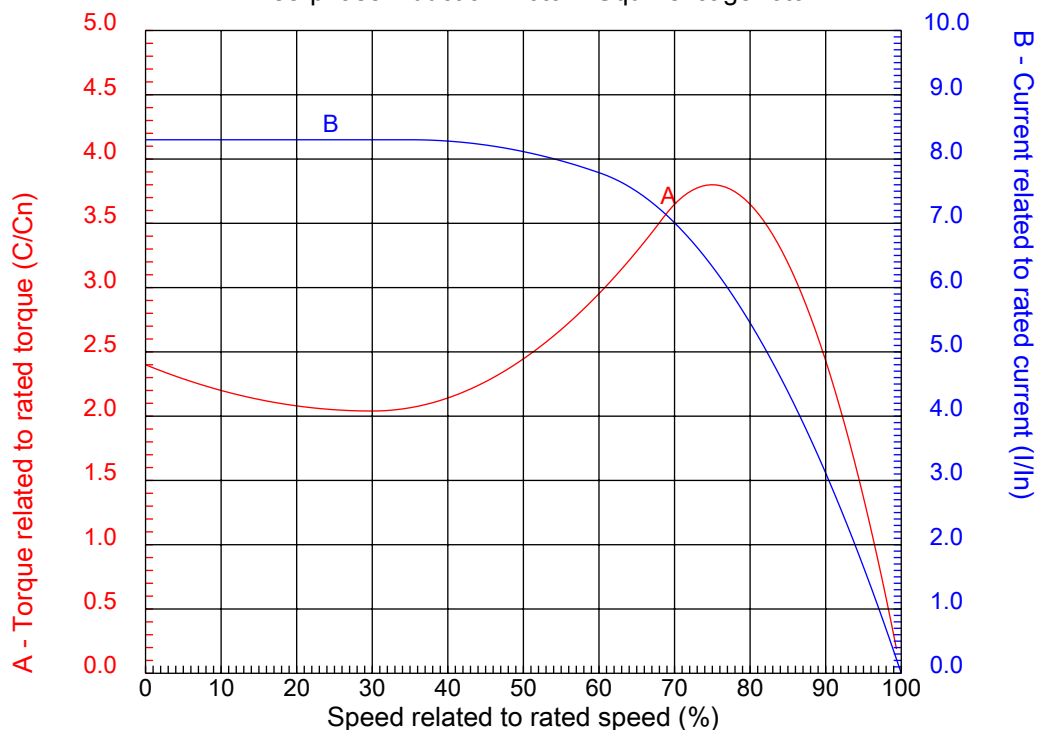
Checked



No.:

Date: 26-DEC-2012

CHARACTERISTIC CURVES RELATED TO SPEED Three-phase induction motor - Squirrel cage rotor



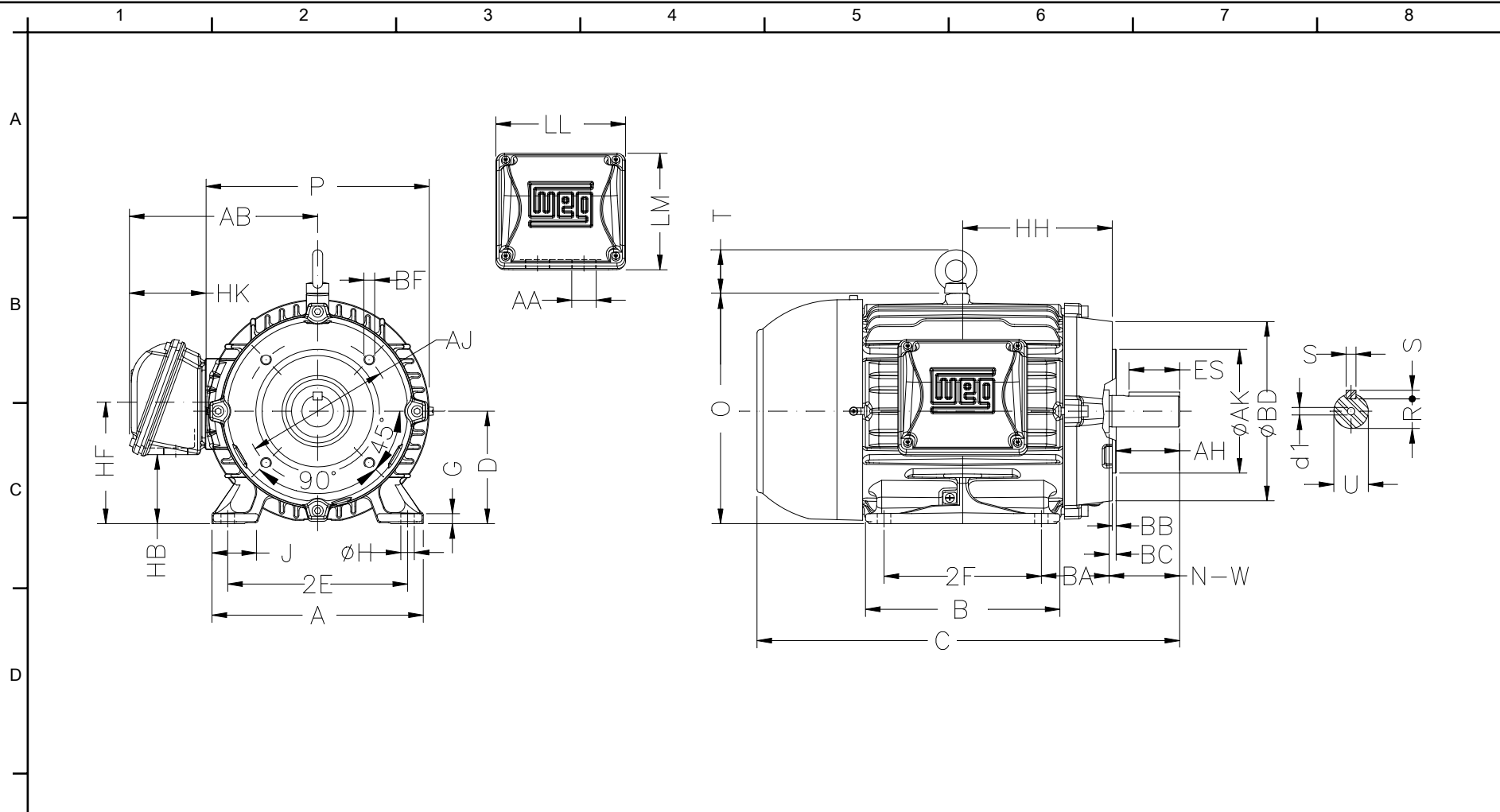
Customer :
Product line : Three-Phase: W22 IEEE-841™ Petrochem Motors - NEMA Premium® Efficiency

Frame	: 182T	Locked rotor current (I _l /I _n)	: 8.3
Output	: 3 HP	Duty cycle	: S1
Frequency	: 60 Hz	Service factor	: 1.25
Full load speed	: 3510	Design	: B
Voltage	: 460 V	Locked rotor torque	: 240 %
Rated current	: 3.63 A	Breakdown torque	: 380 %
Insulation class	: F		

Notes:

Performed by

Checked



E	2E 7.500	J 1.594	A 8.661	P 8.740	AB 7.559
	2F 4.500	B 5.945	BA 2.750	U 1.125	N-W 2.750
	ES 1.969	S 0.250	R 0.984	depth 0.250	D 4.500
	G 0.394	HB 2.236	O 9.343	T 1.772	HD 11.115
	HF 4.500	HH 5.000	HK 3.110	H 0.406	C 14.860
F	LL 5.512	LM 5.236	AA NPT 1"	d1 A 4	d2 A 4
	Flange FC-184	AJ 7.250	AK 8.500	BD 8.875	BF UNC 1/2"x13
	BB 0.250	BC 0.125	AH 2.625		

Notes:

Performed by:

Checked:

Customer:

Three-Phase: W22 IEEE-841™ Petrochem Motors - NEMA Premium® Efficiency

Three-phase induction motor
Frame 182T - IP55

26-DEC-2012

