



No.:

Date: 28-DEC-2012

Customer :

TECHNICAL PROPOSAL

Single-phase induction motor - Squirrel cage rotor

Product line : Farm Duty Motors : TEFC (IP55) - Single-Phase

Catalog Number : 00518ES1DFD215Z

List Price : \$1,205

Notes:

Performed by:

Checked:



No.:

Date: 28-DEC-2012

DATA SHEET

Single-phase induction motor - Squirrel cage rotor

Customer :
Product line : Farm Duty Motors : TEFC (IP55) - Single-Phase

Frame : W213/5TZ
Output : 5 HP
Frequency : 60 Hz
Poles : 4
Full load speed : 1730
Slip : 3.89 %
Voltage : 230 V
Rated current : 21.4 A
Locked rotor current : 171 A
Locked rotor current (I_L/I_n) : 8.0
No-load current : 8.40 A
Full load torque : 15.0 lb.ft
Locked rotor torque : 370 %
Breakdown torque : 270 %
Design : ---
Insulation class : F
Temperature rise : 80 K
Locked rotor time : 6 s (hot)
Service factor : 1.15
Duty cycle : S1
Ambient temperature : -20°C - +40°C
Altitude : 1000
Degree of Protection : IP55
Approximate weight : 126 lb
Moment of inertia : 0.43426 sq.ft.lb
Noise level : ---

	D.E.	N.D.E.	Load	Power factor	Efficiency (%)
Bearings	6308 ZZ	6206 ZZ	100%	0.95	79.0
Regreasing interval	---	---	75%	0.92	78.0
Grease amount	---	---	50%	0.86	72.0

Notes:

Performed by

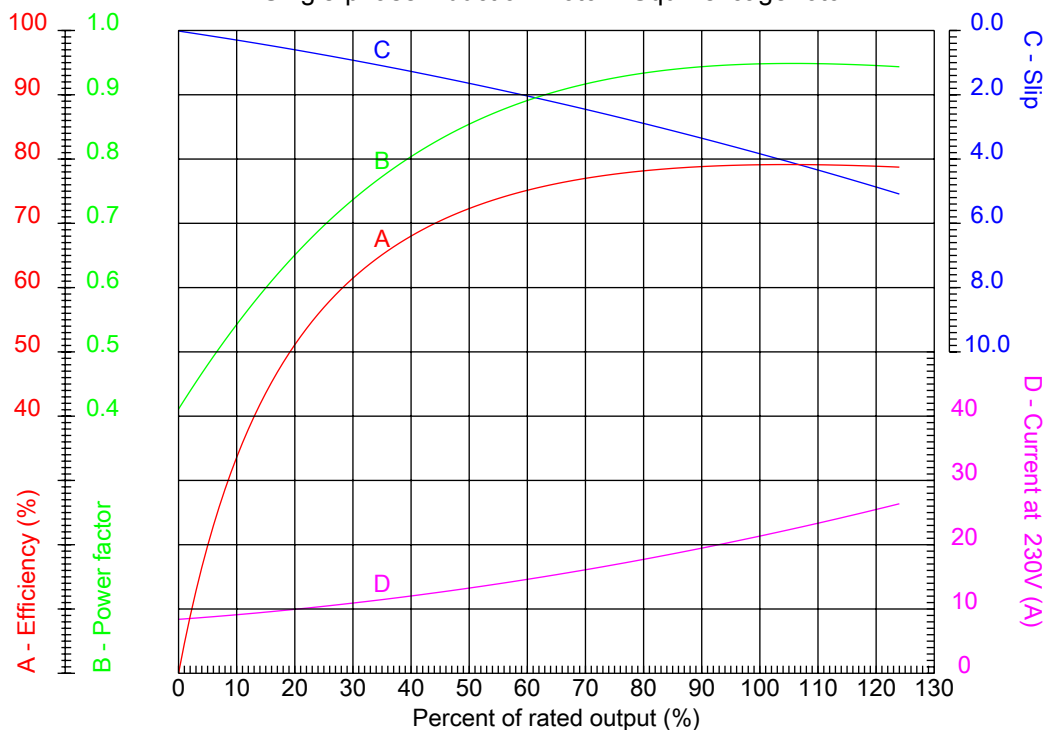
Checked



No.:

Date: 28-DEC-2012

PERFORMANCE CURVES RELATED TO RATED OUTPUT Single-phase induction motor - Squirrel cage rotor



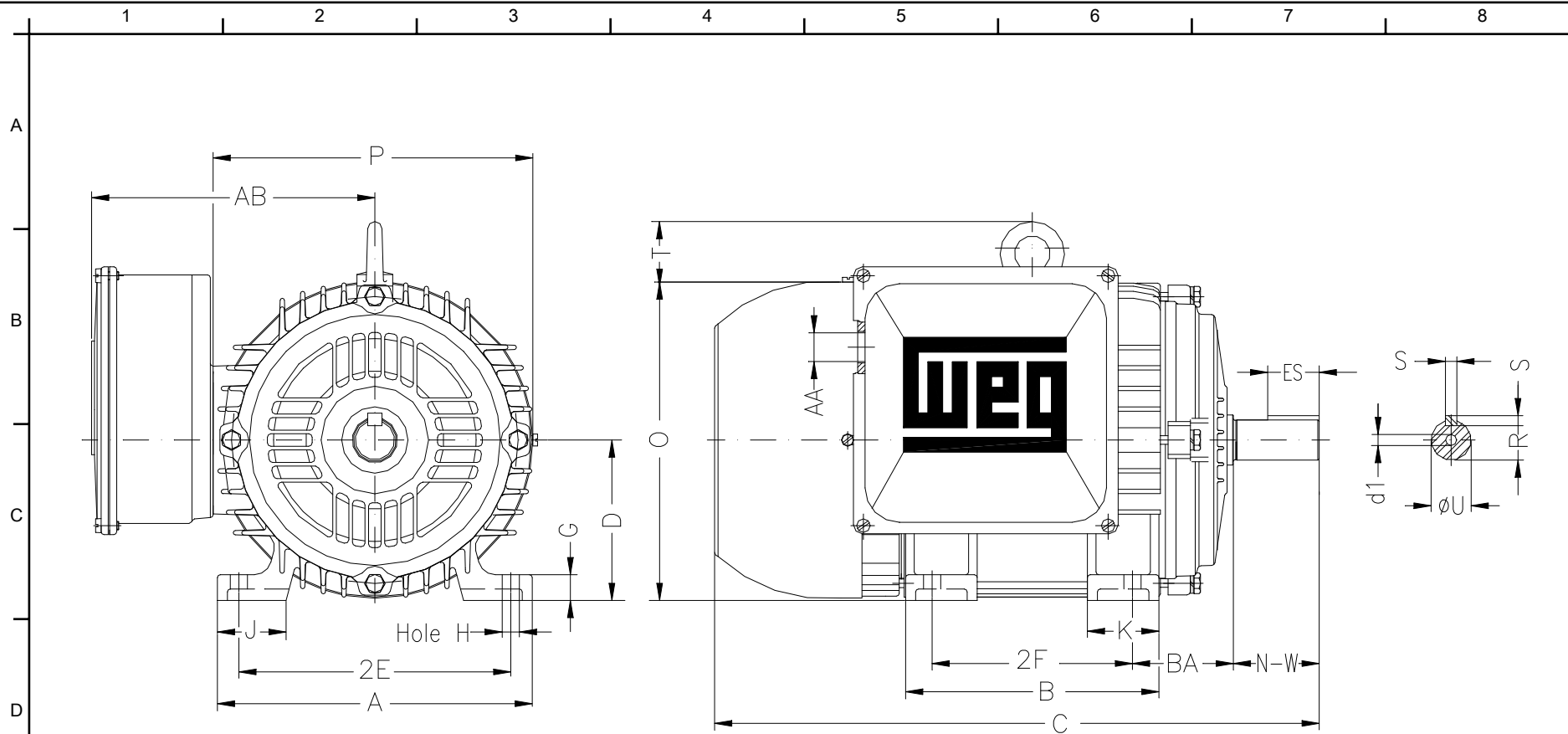
Customer :
Product line : Farm Duty Motors : TEFC (IP55) - Single-Phase

Frame : W213/5TZ	Locked rotor current (I _l /I _n) : 8.0
Output : 5 HP	Duty cycle : S1
Frequency : 60 Hz	Service factor : 1.15
Full load speed : 1730	Design : ---
Voltage : 230 V	Locked rotor torque : 370 %
Rated current : 21.4 A	Breakdown torque : 270 %
Insulation class : F	

Notes:

Performed by

Checked



Notes:

Performed by:

Checked:

Customer:

Farm Duty Motors : TEFC (IP55) - Single-Phase

2E	2F	H	BA	A
8.500	5.500/7.000	0.406	3.500	9.765
B	C	D	G	J
8.875	20.984	5.250	0.830	2.000
K	O	P	ES	S
3.343	9.610	8.820	1.968	0.250
N-W	U	R	AB	AA
3.375	1.125	0.986	7.953	NPT 1"
d1	Flange	AJ	AK	BD
A 4	FD-254	10.000	9.000	11.000
BF	BB			
0.590	0.190			

Single-phase induction motor
Frame W213/5TZ - IP55

28-DEC-2012

