



No.:

Date: 27-DEC-2012

Customer :

TECHNICAL PROPOSAL

Single-phase induction motor - Squirrel cage rotor

Product line : Compressor Duty : Single-Phase - ODP

Catalog Number : 00518OS1CCD184T

List Price : \$682

Notes:

Performed by:

Checked:



No.:

Date: 27-DEC-2012

DATA SHEET

Single-phase induction motor - Squirrel cage rotor

Customer :
Product line : Compressor Duty : Single-Phase - ODP

Frame : 184T
Output : 5 HP
Frequency : 60 Hz
Poles : 4
Full load speed : 1745
Slip : 3.06 %
Voltage : 208-230 V
Rated current : 22.0 A
Locked rotor current : 136 A
Locked rotor current (I_L/I_n) : 6.2
No-load current : 7.40 A
Full load torque : 14.8 lb.ft
Locked rotor torque : 240 %
Breakdown torque : 200 %
Design : ---
Insulation class : F
Temperature rise : 80 K
Locked rotor time : 6 s (hot)
Service factor : 1.25
Duty cycle : S1
Ambient temperature : -20°C - +40°C
Altitude : 1000
Degree of Protection : IP22
Approximate weight : 109 lb
Moment of inertia : 0.36544 sq.ft.lb
Noise level : 60 dB(A)

	D.E.	N.D.E.	Load	Power factor	Efficiency (%)
Bearings	6206 ZZ	6205 ZZ	100%	0.90	82.5
Regreasing interval	---	---	75%	0.88	82.5
Grease amount	---	---	50%	0.82	81.0

Notes:

Performed by

Checked

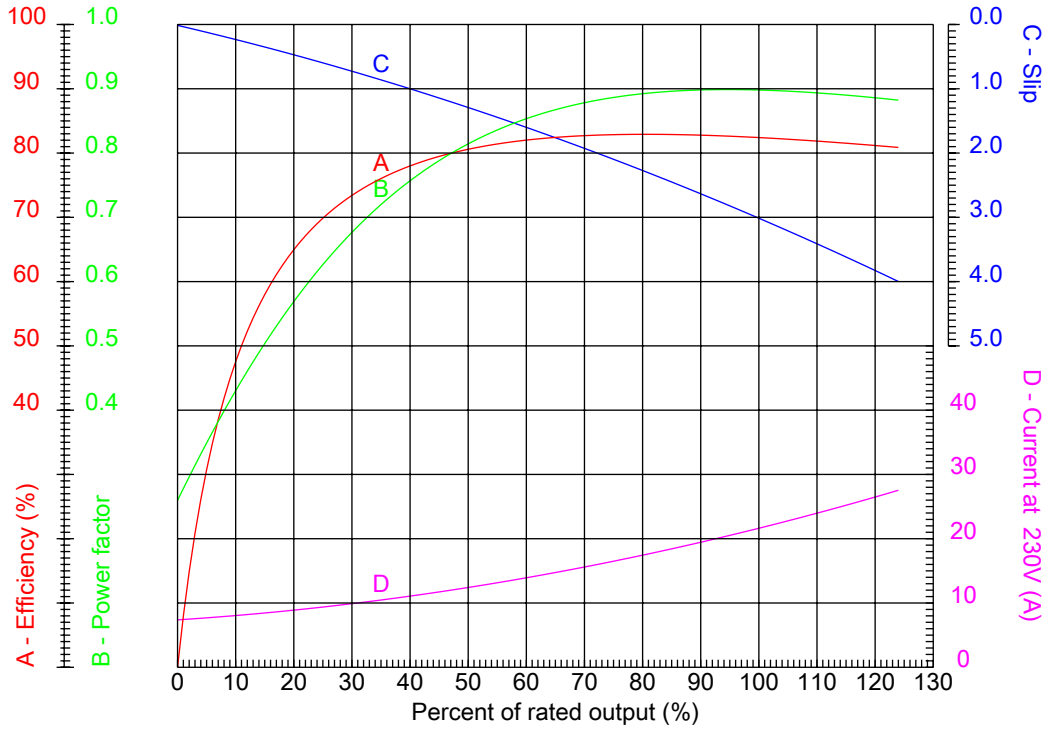


No.:

Date: 27-DEC-2012

PERFORMANCE CURVES RELATED TO RATED OUTPUT

Single-phase induction motor - Squirrel cage rotor



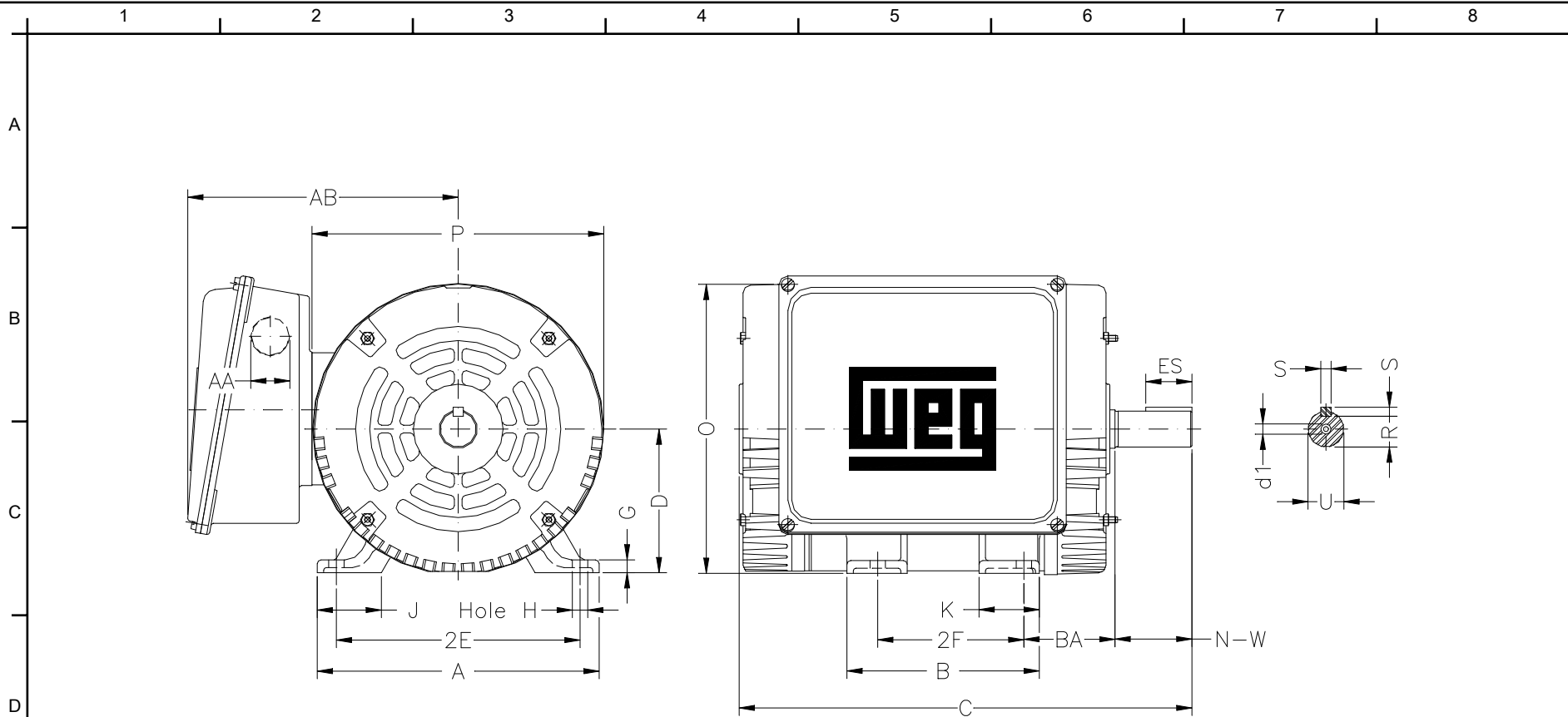
Customer :
Product line : Compressor Duty : Single-Phase - ODP

Frame	: 184T	Locked rotor current (I _l /I _n)	: 6.2
Output	: 5 HP	Duty cycle	: S1
Frequency	: 60 Hz	Service factor	: 1.25
Full load speed	: 1745	Design	: ---
Voltage	: 208-230 V	Locked rotor torque	: 240 %
Rated current	: 22.0 A	Breakdown torque	: 200 %
Insulation class	: F		

Notes:

Performed by

Checked



Notes:

Performed by:

Checked:

Customer:

Compressor Duty : Single-Phase - ODP

2E	2F	H	BA	A
7.500	5.500	0.405	2.750	8.661
B	C	D	G	J
6.889	14.870	4.500	0.500	1.968
K	O	P	ES	S
1.850	8.930	8.858	1.968	0.250
N-W	U	R	AB	AA
2.750	1.125	0.984	8.346	NPT 3/4
d1	Flange	AJ	AK	BD
A4	FC-184	7.250	8.500	8.875
BF	BB	BC	AH	
UNC 1/2"x13	0.250	0.125		

Single-phase induction motor
Frame 184T - IP22

27-DEC-2012

