



No.:

Date: 26-DEC-2012

Customer :

TECHNICAL PROPOSAL

Three-phase induction motor - Squirrel cage rotor

Product line : Close Coupled Pump : Three-Phase - "JM" Type - ODP - High Efficiency - Vertical Motors

Catalog Number : 00536OP3E182JMV

List Price : \$797

Notes:

Performed by:

Checked:



No.:

Date: 26-DEC-2012

DATA SHEET

Three-phase induction motor - Squirrel cage rotor

Customer :
 Product line : Close Coupled Pump : Three-Phase - "JM" Type - ODP - High Efficiency - Vertical Motors

Frame : 182JM
 Output : 5 HP
 Frequency : 60 Hz
 Poles : 2
 Full load speed : 3480
 Slip : 3.33 %
 Voltage : 208-230/460 V
 Rated current : 13.6-12.3/6.17 A
 Locked rotor current : 87.6/43.8 A
 Locked rotor current (I_L/I_n) : 7.1
 No-load current : 4.60/2.30 A
 Full load torque : 7.44 lb.ft
 Locked rotor torque : 200 %
 Breakdown torque : 290 %
 Design : B
 Insulation class : F
 Temperature rise : 80 K
 Locked rotor time : 12 s (hot)
 Service factor : 1.15
 Duty cycle : S1
 Ambient temperature : -20°C - +40°C
 Altitude : 1000
 Degree of Protection : IP21
 Approximate weight : 48 lb
 Moment of inertia : 0.12719 sq.ft.lb
 Noise level : ---

	D.E.	N.D.E.	Load	Power factor	Efficiency (%)
Bearings	6207 ZZ	6205 ZZ	100%	0.87	86.5
Regreasing interval	---	---	75%	0.81	86.5
Grease amount	---	---	50%	0.71	85.5

Notes:

Performed by

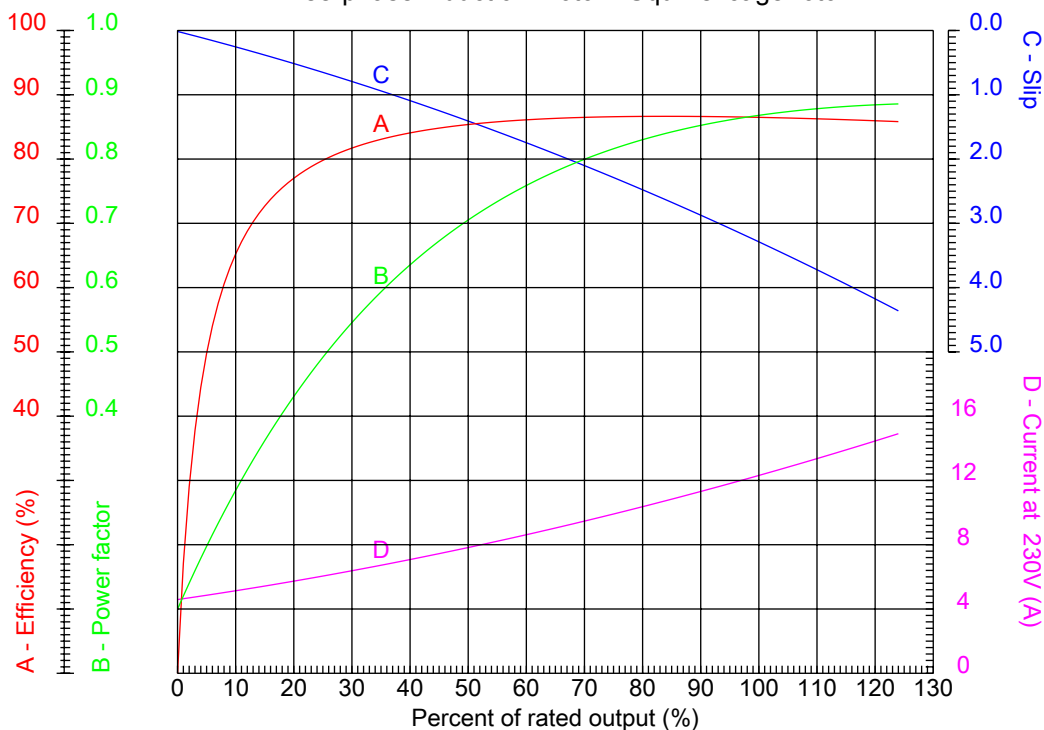
Checked



No.:

Date: 26-DEC-2012

PERFORMANCE CURVES RELATED TO RATED OUTPUT Three-phase induction motor - Squirrel cage rotor



Customer :
Product line : Close Coupled Pump : Three-Phase - "JM" Type - ODP - High Efficiency - Vertical Motors

Frame	: 182JM	Locked rotor current (I _l /I _n)	: 7.1
Output	: 5 HP	Duty cycle	: S1
Frequency	: 60 Hz	Service factor	: 1.15
Full load speed	: 3480	Design	: B
Voltage	: 208-230/460 V	Locked rotor torque	: 200 %
Rated current	: 13.6-12.3/6.17 A	Breakdown torque	: 290 %
Insulation class	: F		

Notes:

Performed by

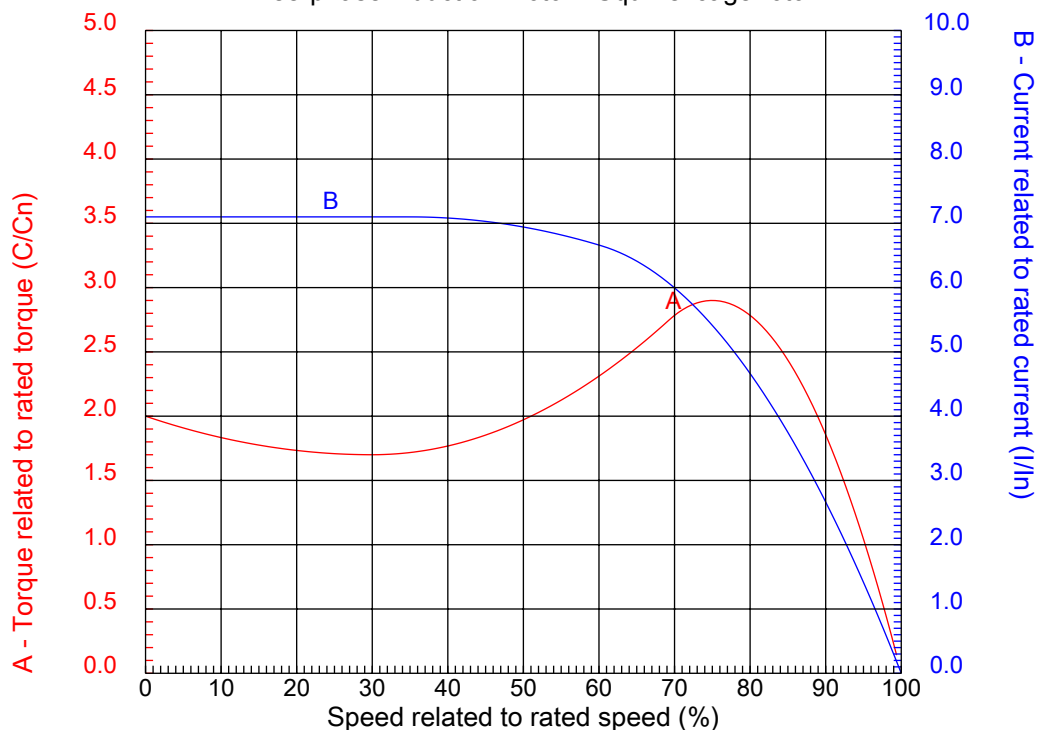
Checked



No.:

Date: 26-DEC-2012

CHARACTERISTIC CURVES RELATED TO SPEED Three-phase induction motor - Squirrel cage rotor



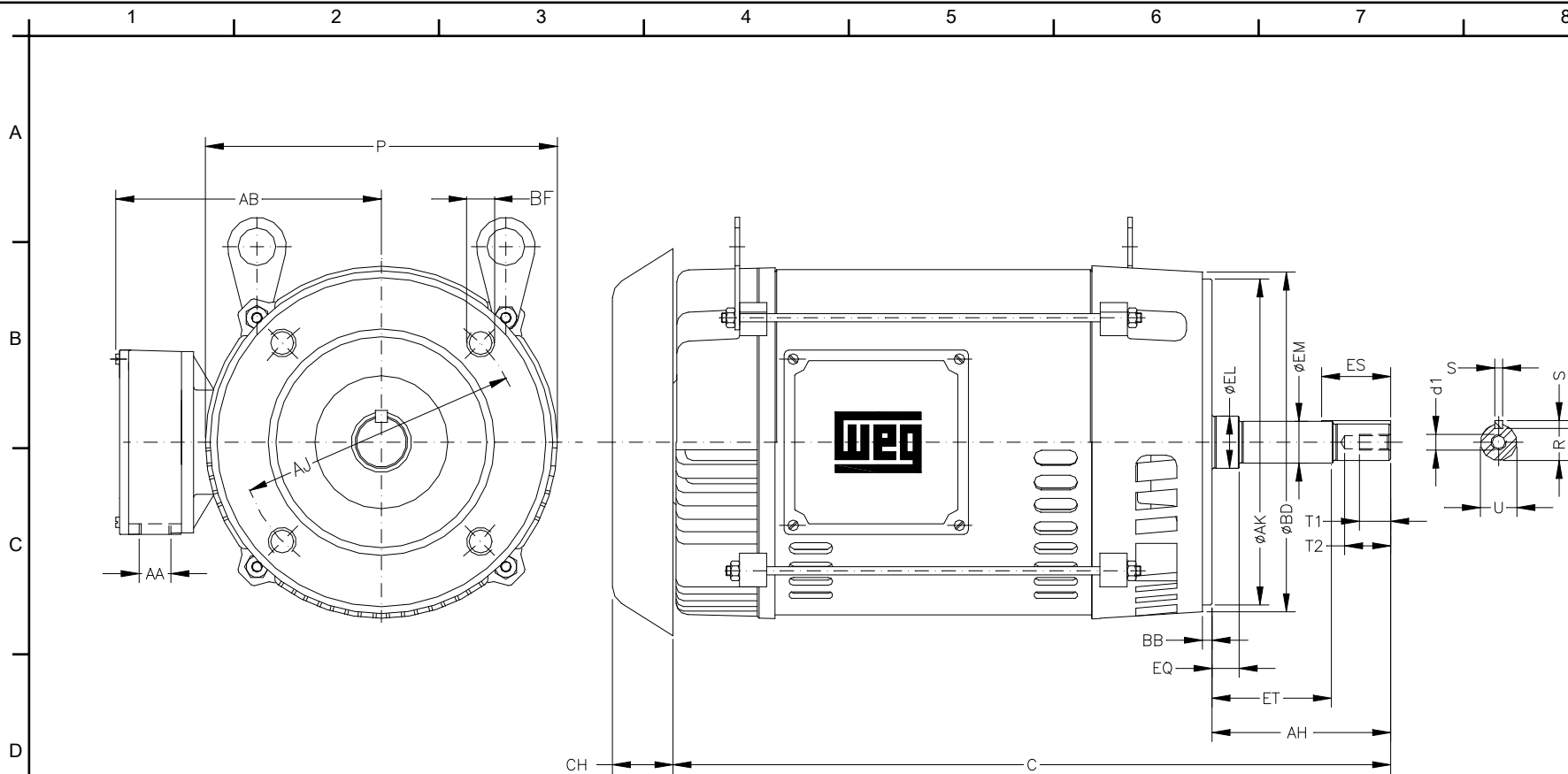
Customer :
Product line : Close Coupled Pump : Three-Phase - "JM" Type - ODP - High Efficiency - Vertical Motors

Frame	: 182JM	Locked rotor current (I _l /I _n)	: 7.1
Output	: 5 HP	Duty cycle	: S1
Frequency	: 60 Hz	Service factor	: 1.15
Full load speed	: 3480	Design	: B
Voltage	: 208-230/460 V	Locked rotor torque	: 200 %
Rated current	: 13.6-12.3/6.17 A	Breakdown torque	: 290 %
Insulation class	: F		

Notes:

Performed by

Checked



Notes:

Performed by:

Checked:

Customer:

Close Coupled Pump : Three-Phase - "JM" Type - ODP - High Efficiency -

Three-phase induction motor
Frame 182JM - IP21

26-DEC-2012



P	AB	AA	EQ	ET
7.637	6.574	NPT 3/4"	0.630	2.880
U	EM	EL	S	EP
0.874	1.000	1.250	0.187	1.376
R	ES	d1	t1	t2
0.767	1.575	EUNC 3/8"-16	0.748	1.102
C	Flange	AJ	AK	BD
14.527	FC-149	5.874	4.500	6.496
BF	BB	BC	AH	
UNC 3/8"x16	0.157		4.258	