



No.:

Date: 27-DEC-2012

Customer :

TECHNICAL PROPOSAL

Three-phase induction motor - Squirrel cage rotor

Product line : Three-Phase: W22 IEEE-841™ Petrochem Motors - NEMA Premium® Efficiency

Catalog Number : 00536ST3HIE184T-W22

List Price : \$1,429

Notes:

Performed by:

Checked:



No.:

Date: 27-DEC-2012

DATA SHEET

Three-phase induction motor - Squirrel cage rotor

Customer :
Product line : Three-Phase: W22 IEEE-841™ Petrochem Motors - NEMA Premium® Efficiency

Frame : 184T
Output : 5 HP
Frequency : 60 Hz
Poles : 2
Full load speed : 3500
Slip : 2.78 %
Voltage : 575 V
Rated current : 4.72 A
Locked rotor current : 35.4 A
Locked rotor current (I_L/I_n) : 7.5
No-load current : 1.76 A
Full load torque : 7.40 lb.ft
Locked rotor torque : 230 %
Breakdown torque : 350 %
Design : B
Insulation class : F
Temperature rise : 80 K
Locked rotor time : 25 s (hot)
Service factor : 1.25
Duty cycle : S1
Ambient temperature : -20°C - +40°C
Altitude : 1000
Degree of Protection : IP55
Approximate weight : 88 lb
Moment of inertia : 0.22330 sq.ft.lb
Noise level : 69 dB(A)

	D.E.	N.D.E.	Load	Power factor	Efficiency (%)
Bearings	6207 C3	6206 C3	100%	0.89	88.5
Regreasing interval	20000 h	20000 h	75%	0.85	88.5
Grease amount	7 g	5 g	50%	0.76	86.5

Notes:

Performed by

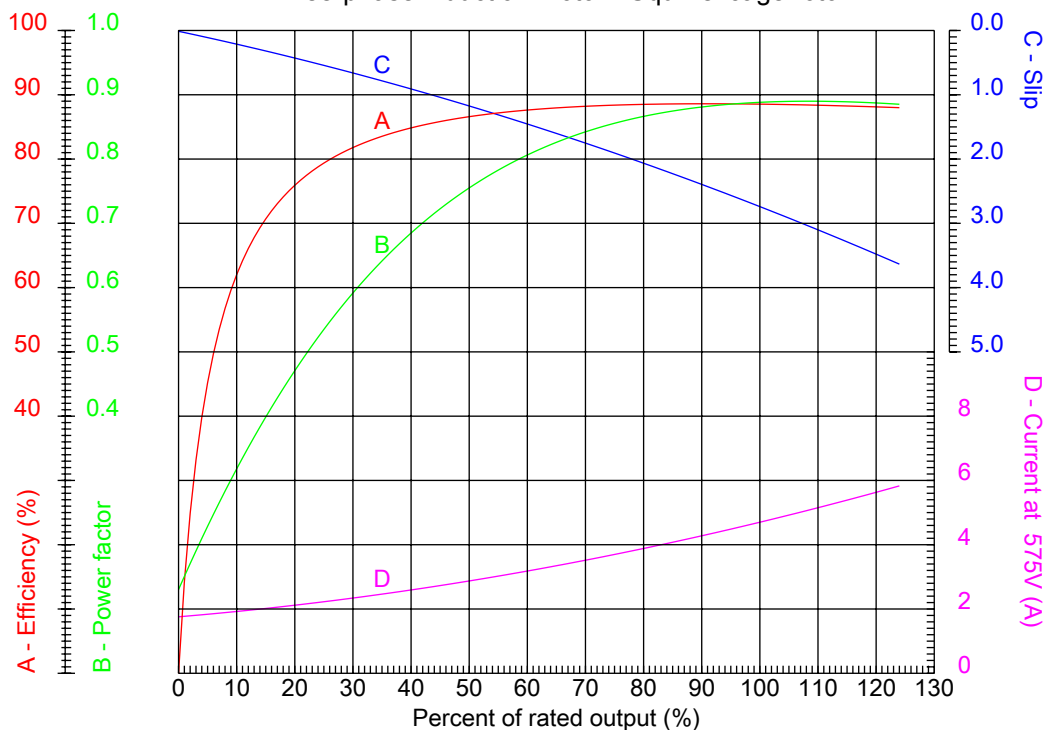
Checked



No.:

Date: 27-DEC-2012

PERFORMANCE CURVES RELATED TO RATED OUTPUT Three-phase induction motor - Squirrel cage rotor



Customer :
Product line : Three-Phase: W22 IEEE-841™ Petrochem Motors - NEMA Premium® Efficiency

Frame : 184T	Locked rotor current (I _L /I _n) : 7.5
Output : 5 HP	Duty cycle : S1
Frequency : 60 Hz	Service factor : 1.25
Full load speed : 3500	Design : B
Voltage : 575 V	Locked rotor torque : 230 %
Rated current : 4.72 A	Breakdown torque : 350 %
Insulation class : F	

Notes:

Performed by

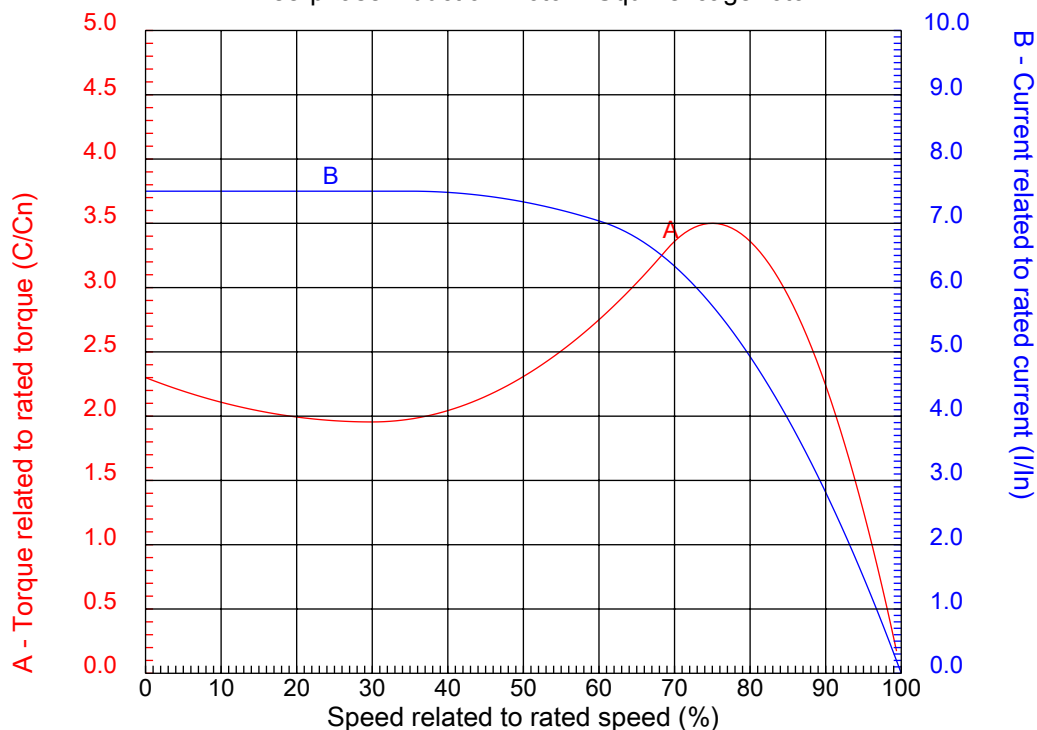
Checked



No.:

Date: 27-DEC-2012

CHARACTERISTIC CURVES RELATED TO SPEED Three-phase induction motor - Squirrel cage rotor



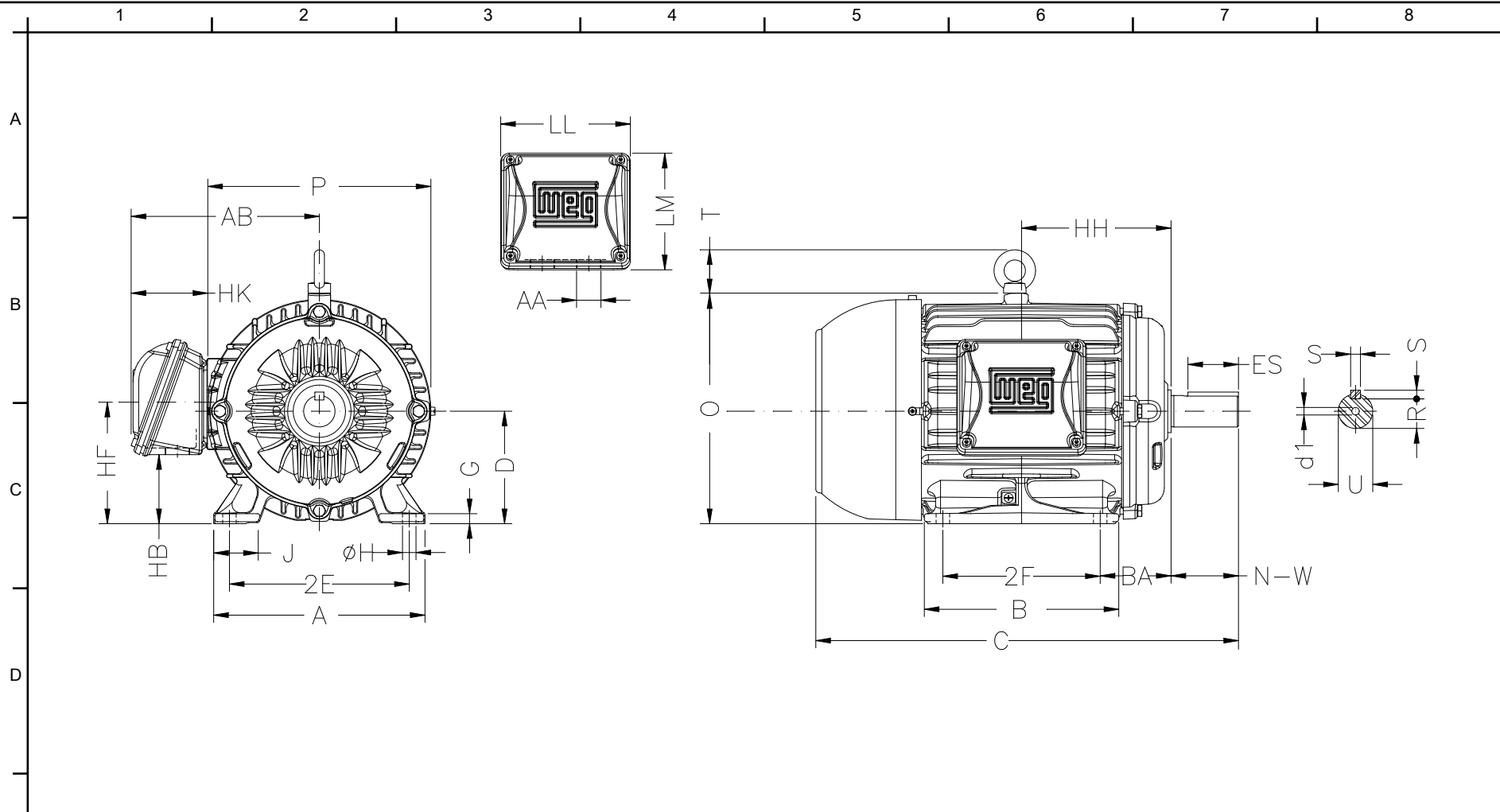
Customer :
Product line : Three-Phase: W22 IEEE-841™ Petrochem Motors - NEMA Premium® Efficiency

Frame	: 184T	Locked rotor current (I _l /I _n)	: 7.5
Output	: 5 HP	Duty cycle	: S1
Frequency	: 60 Hz	Service factor	: 1.25
Full load speed	: 3500	Design	: B
Voltage	: 575 V	Locked rotor torque	: 230 %
Rated current	: 4.72 A	Breakdown torque	: 350 %
Insulation class	: F		

Notes:

Performed by

Checked



E	2E 7.500	J 1.594	A 8.661	P 8.740	AB 7.559
	2F 5.500	B 6.969	BA 2.750	U 1.125	N-W 2.750
	ES 1.969	S 0.250	R 0.984	depth 0.250	D 4.500
	G 0.394	HB 2.236	O 9.343	T 1.772	HD 11.115
	HF 4.500	HH 5.500	HK 3.110	H 0.406	C 15.860
F	LL 5.512	LM 5.236	AA NPT 1"	d1 A 4	d2 A 4
	Flange FD-254	AJ 10.000	AK 9.000	BD 11.00	BF 0.562
	BB 0.203				

Notes:

Performed by:

Checked:

Customer:

Three-Phase: W22 IEEE-841™ Petrochem Motors - NEMA Premium® Efficiency

Three-phase induction motor
Frame 184T - IP55

27-DEC-2012

