



No.:

Date: 27-DEC-2012

Customer :

TECHNICAL PROPOSAL

Three-phase induction motor - Squirrel cage rotor

Product line : Three-Phase: W22 IEEE-841™ Petrochem Motors - NEMA Premium® Efficiency

Catalog Number : 00536ST3QIE184T-W22

List Price : \$1,429

Notes:

Performed by:

Checked:



No.:

Date: 27-DEC-2012

## DATA SHEET

### Three-phase induction motor - Squirrel cage rotor

Customer :  
 Product line : Three-Phase: W22 IEEE-841™ Petrochem Motors - NEMA Premium® Efficiency

Frame : 184T  
 Output : 5 HP  
 Frequency : 60 Hz  
 Poles : 2  
 Full load speed : 3500  
 Slip : 2.78 %  
 Voltage : 460 V  
 Rated current : 5.90 A  
 Locked rotor current : 44.3 A  
 Locked rotor current (I<sub>L</sub>/I<sub>n</sub>) : 7.5  
 No-load current : 2.20 A  
 Full load torque : 7.40 lb.ft  
 Locked rotor torque : 230 %  
 Breakdown torque : 350 %  
 Design : B  
 Insulation class : F  
 Temperature rise : 80 K  
 Locked rotor time : 25 s (hot)  
 Service factor : 1.25  
 Duty cycle : S1  
 Ambient temperature : -20°C - +40°C  
 Altitude : 1000  
 Degree of Protection : IP55  
 Approximate weight : 88 lb  
 Moment of inertia : 0.22330 sq.ft.lb  
 Noise level : 69 dB(A)

	D.E.	N.D.E.	Load	Power factor	Efficiency (%)
Bearings	6207 C3	6206 C3	100%	0.89	88.5
Regreasing interval	20000 h	20000 h	75%	0.85	88.5
Grease amount	7 g	5 g	50%	0.76	86.5

Notes:

Performed by

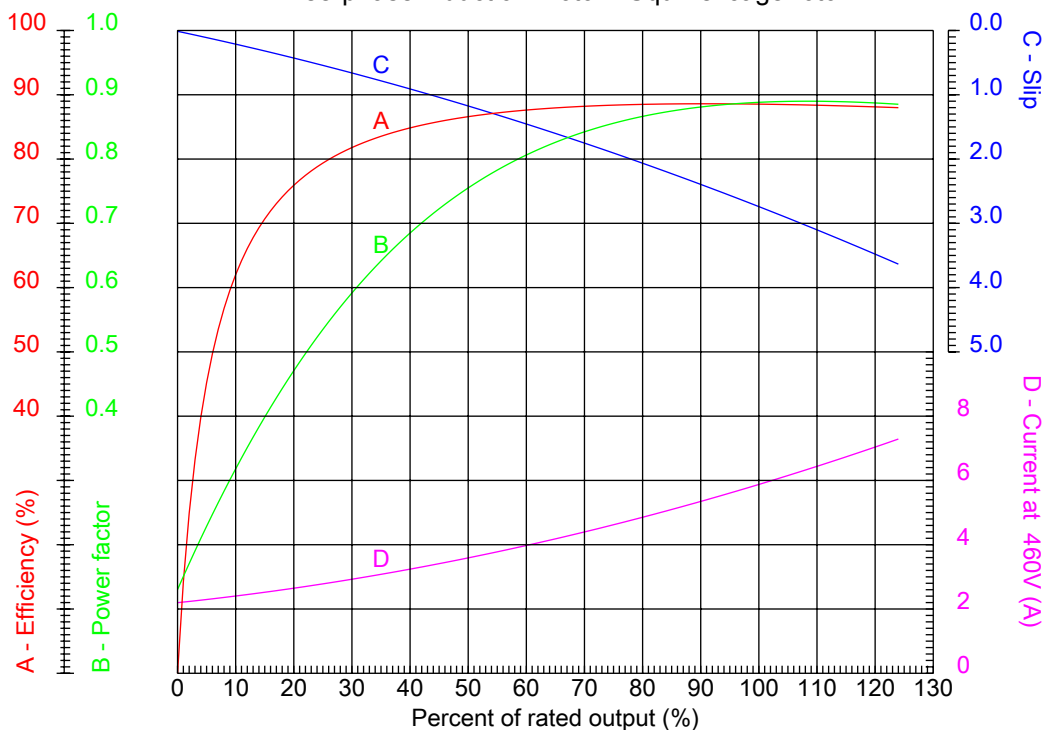
Checked



No.:

Date: 27-DEC-2012

PERFORMANCE CURVES RELATED TO RATED OUTPUT  
Three-phase induction motor - Squirrel cage rotor



Customer :  
Product line : Three-Phase: W22 IEEE-841™ Petrochem Motors - NEMA Premium® Efficiency

Frame	: 184T	Locked rotor current (I <sub>L</sub> /I <sub>n</sub> )	: 7.5
Output	: 5 HP	Duty cycle	: S1
Frequency	: 60 Hz	Service factor	: 1.25
Full load speed	: 3500	Design	: B
Voltage	: 460 V	Locked rotor torque	: 230 %
Rated current	: 5.90 A	Breakdown torque	: 350 %
Insulation class	: F		

Notes:

Performed by

Checked

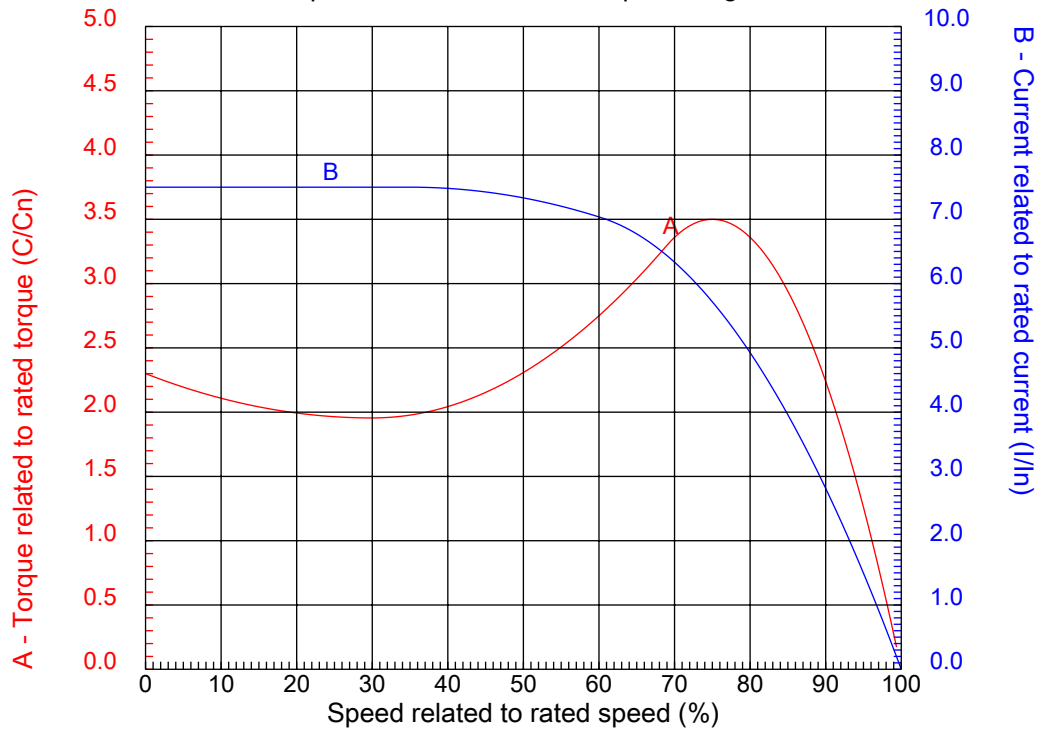


No.:

Date: 27-DEC-2012

### CHARACTERISTIC CURVES RELATED TO SPEED

Three-phase induction motor - Squirrel cage rotor



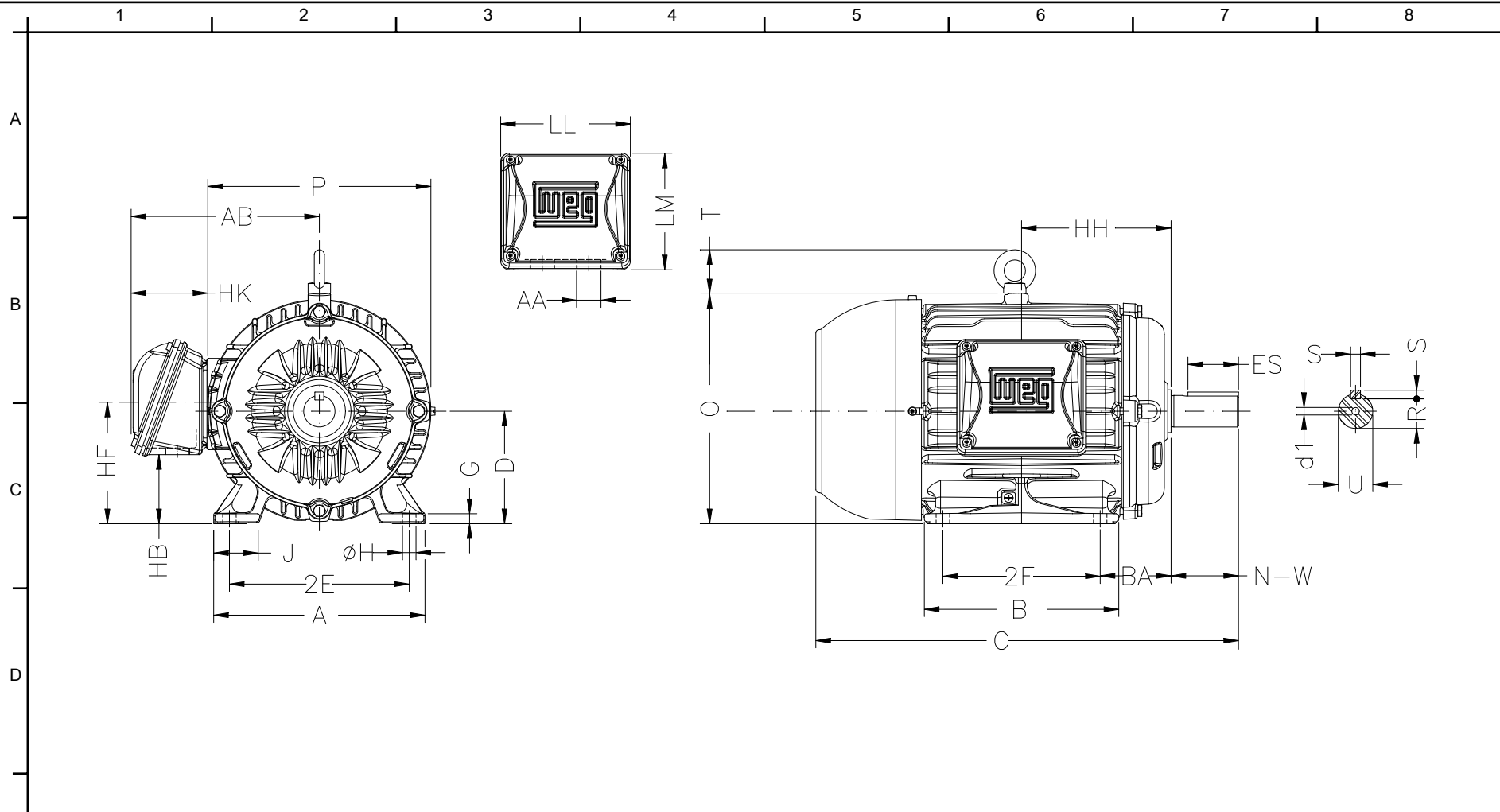
Customer :  
Product line : Three-Phase: W22 IEEE-841™ Petrochem Motors - NEMA Premium® Efficiency

Frame	: 184T	Locked rotor current (I <sub>l</sub> /I <sub>n</sub> )	: 7.5
Output	: 5 HP	Duty cycle	: S1
Frequency	: 60 Hz	Service factor	: 1.25
Full load speed	: 3500	Design	: B
Voltage	: 460 V	Locked rotor torque	: 230 %
Rated current	: 5.90 A	Breakdown torque	: 350 %
Insulation class	: F		

Notes:

Performed by

Checked



E	2E 7.500	J 1.594	A 8.661	P 8.740	AB 7.559
	2F 5.500	B 6.969	BA 2.750	U 1.125	N-W 2.750
	ES 1.969	S 0.250	R 0.984	depth 0.250	D 4.500
	G 0.394	HB 2.236	O 9.343	T 1.772	HD 11.115
	HF 4.500	HH 5.500	HK 3.110	H 0.406	C 15.860
F	LL 5.512	LM 5.236	AA NPT 1"	d1 A 4	d2 A 4
	Flange FD-254	AJ 10.000	AK 9.000	BD 11.00	BF 0.562
	BB 0.203				

Notes:

Performed by:

Checked:

Customer:

Three-Phase: W22 IEEE-841™ Petrochem Motors - NEMA Premium® Efficiency

Three-phase induction motor Frame 184T - IP55	27-DEC-2012	
--	-------------	--