



No.:

Date: 27-DEC-2012

Customer :

TECHNICAL PROPOSAL

Single-phase induction motor - Squirrel cage rotor

Product line : Farm Duty Motors : TEFC (IP55) - Single-Phase

Catalog Number : 00718ES1DFD215T

List Price : \$1,463

Notes:

Performed by:

Checked:



No.:

Date: 27-DEC-2012

DATA SHEET

Single-phase induction motor - Squirrel cage rotor

Customer :
Product line : Farm Duty Motors : TEFC (IP55) - Single-Phase

Frame : 215T
Output : 7.5 HP
Frequency : 60 Hz
Poles : 4
Full load speed : 1730
Slip : 3.89 %
Voltage : 230 V
Rated current : 33.0 A
Locked rotor current : 248 A
Locked rotor current (I_L/I_n) : 7.5
No-load current : 18.0 A
Full load torque : 22.5 lb.ft
Locked rotor torque : 400 %
Breakdown torque : 260 %
Design : ---
Insulation class : F
Temperature rise : 80 K
Locked rotor time : 6 s (hot)
Service factor : 1.15
Duty cycle : S1
Ambient temperature : -20°C - +40°C
Altitude : 1000
Degree of Protection : IP55
Approximate weight : 157 lb
Moment of inertia : 0.88276 sq.ft.lb
Noise level : ---

	D.E.	N.D.E.	Load	Power factor	Efficiency (%)
Bearings	6308 ZZ	6206 ZZ	100%	0.90	83.0
Regreasing interval	---	---	75%	0.81	81.0
Grease amount	---	---	50%	0.71	77.0

Notes:

Performed by

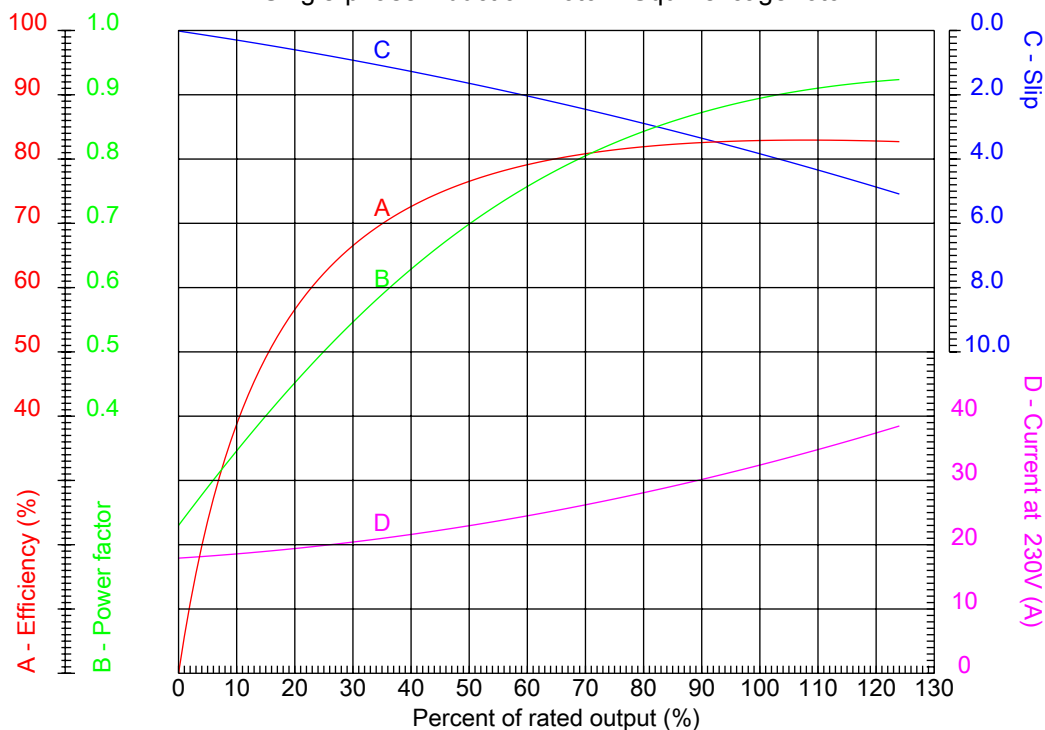
Checked



No.:

Date: 27-DEC-2012

PERFORMANCE CURVES RELATED TO RATED OUTPUT Single-phase induction motor - Squirrel cage rotor



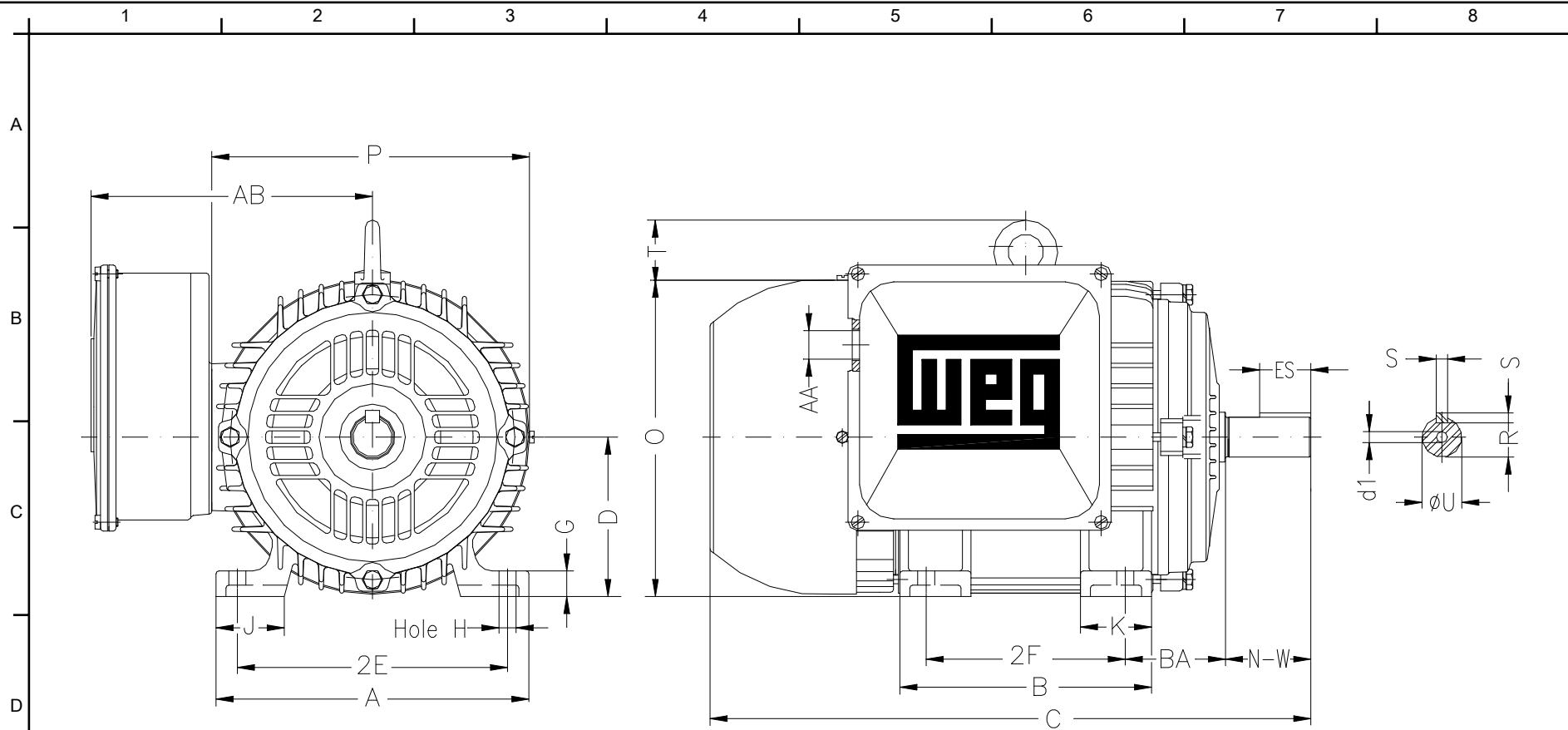
Customer :
Product line : Farm Duty Motors : TEFC (IP55) - Single-Phase

Frame : 215T	Locked rotor current (I _l /I _n) : 7.5
Output : 7.5 HP	Duty cycle : S1
Frequency : 60 Hz	Service factor : 1.15
Full load speed : 1730	Design : ---
Voltage : 230 V	Locked rotor torque : 400 %
Rated current : 33.0 A	Breakdown torque : 260 %
Insulation class : F	

Notes:

Performed by

Checked



Notes:

Performed by:

Checked:

Customer:

Farm Duty Motors : TEFC (IP55) - Single-Phase

2E	2F	H	BA	A
8.500	7.000	0.406	3.500	9.765
B	C	D	G	J
8.875	19.567	5.250	0.830	2.000
K	O	P	ES	S
2.165	9.610	10.630	2.480	0.313
N-W	U	R	AB	AA
3.375	1.375	1.203	9.055	NPT 1"
d1	Flange	AJ	AK	BD
A 4	FD-254	10.000	9.000	11.000
BF	BB			
0.590	0.190			

Single-phase induction motor
Frame 215T - IP55

27-DEC-2012

