



No.:

Date: 27-DEC-2012

Customer :

TECHNICAL PROPOSAL

Three-phase induction motor - Squirrel cage rotor

Product line : Close Coupled Pump : Three-Phase - "JP" Type - ODP - High Efficiency - Vertical Motors

Catalog Number : 00736OP3V184JPV

List Price : \$993

Notes:

Performed by:

Checked:



No.:

Date: 27-DEC-2012

DATA SHEET

Three-phase induction motor - Squirrel cage rotor

Customer :
Product line : Close Coupled Pump : Three-Phase - "JP" Type - ODP - High Efficiency - Vertical Motors

Frame : 184JP
Output : 7.5 HP
Frequency : 60 Hz
Poles : 2
Full load speed : 3485
Slip : 3.19 %
Voltage : 200/400 V
Rated current : 20.6/10.3 A
Locked rotor current : 144/72.2 A
Locked rotor current (I_L/I_n) : 7.0
No-load current : 7.13/3.57 A
Full load torque : 11.1 lb.ft
Locked rotor torque : 220 %
Breakdown torque : 300 %
Design : B
Insulation class : F
Temperature rise : 80 K
Locked rotor time : 13 s (hot)
Service factor : 1.15
Duty cycle : S1
Ambient temperature : -20°C - +40°C
Altitude : 1000
Degree of Protection : IP21
Approximate weight : 60 lb
Moment of inertia : 0.16350 sq.ft.lb
Noise level : ---

| | D.E. | N.D.E. | Load | Power factor | Efficiency (%) |
|---------------------|---------|---------|------|--------------|----------------|
| Bearings | 6207 ZZ | 6205 ZZ | 100% | 0.88 | 87.5 |
| Regreasing interval | --- | --- | 75% | 0.84 | 87.5 |
| Grease amount | --- | --- | 50% | 0.75 | 86.5 |

Notes:

Performed by

Checked

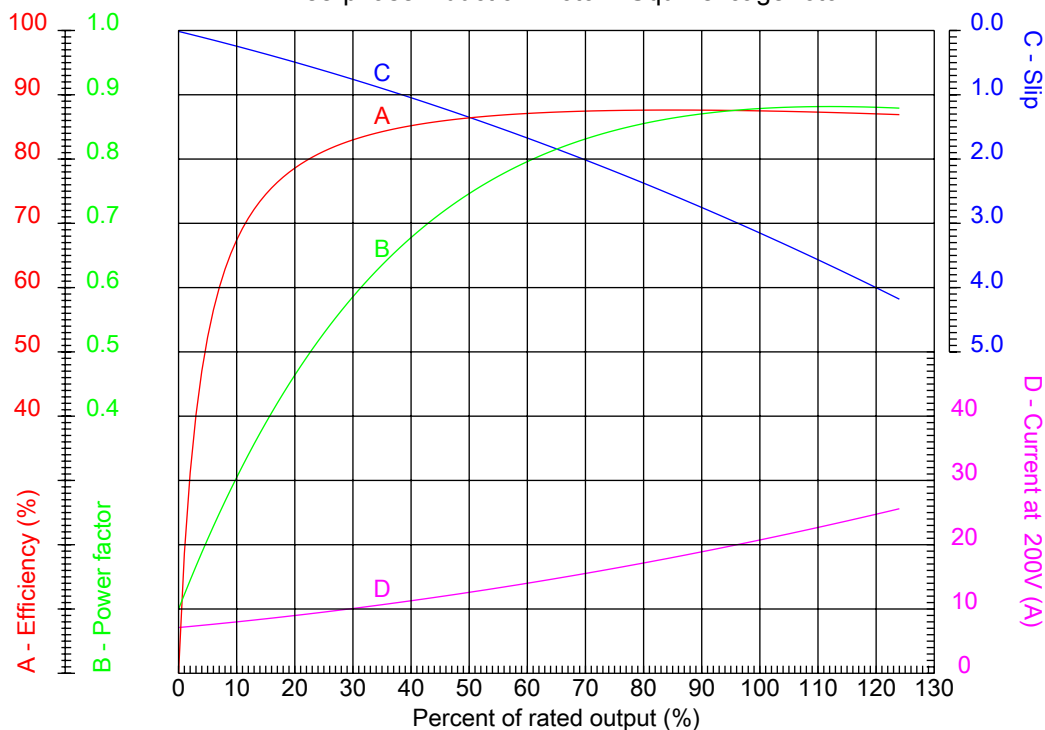


No.:

Date: 27-DEC-2012

PERFORMANCE CURVES RELATED TO RATED OUTPUT

Three-phase induction motor - Squirrel cage rotor



Customer :
Product line : Close Coupled Pump : Three-Phase - "JP" Type - ODP - High Efficiency - Vertical Motors

| | | | |
|------------------|---------------|--|---------|
| Frame | : 184JP | Locked rotor current (I _l /I _n) | : 7.0 |
| Output | : 7.5 HP | Duty cycle | : S1 |
| Frequency | : 60 Hz | Service factor | : 1.15 |
| Full load speed | : 3485 | Design | : B |
| Voltage | : 200/400 V | Locked rotor torque | : 220 % |
| Rated current | : 20.6/10.3 A | Breakdown torque | : 300 % |
| Insulation class | : F | | |

Notes:

Performed by

Checked

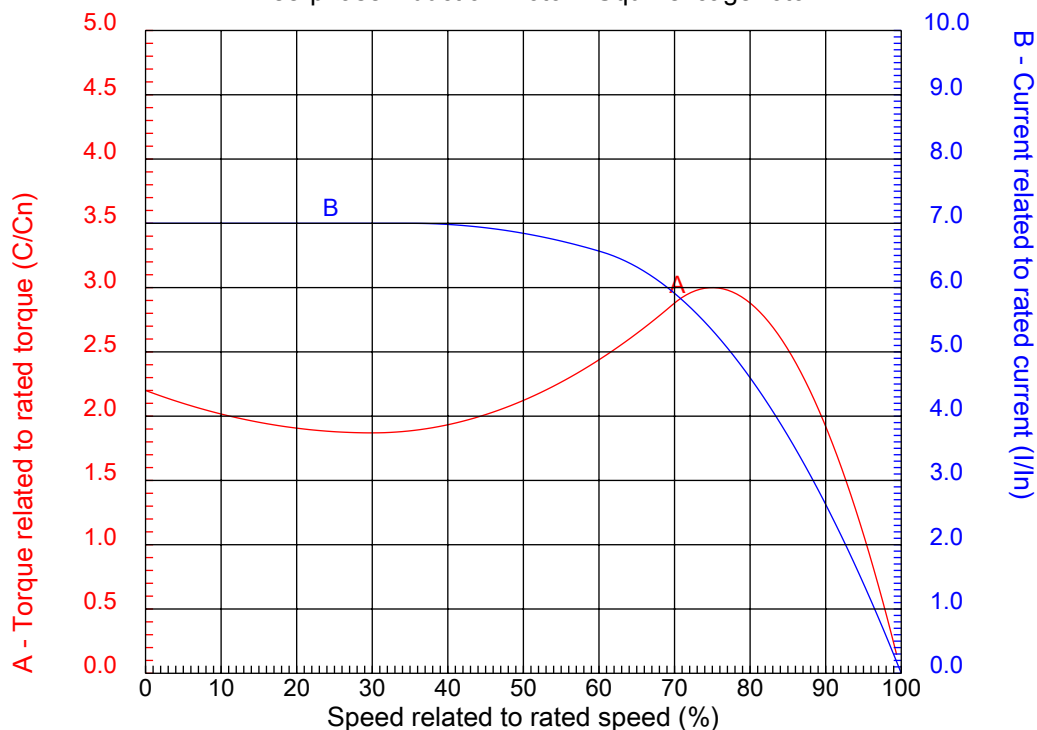


No.:

Date: 27-DEC-2012

CHARACTERISTIC CURVES RELATED TO SPEED

Three-phase induction motor - Squirrel cage rotor



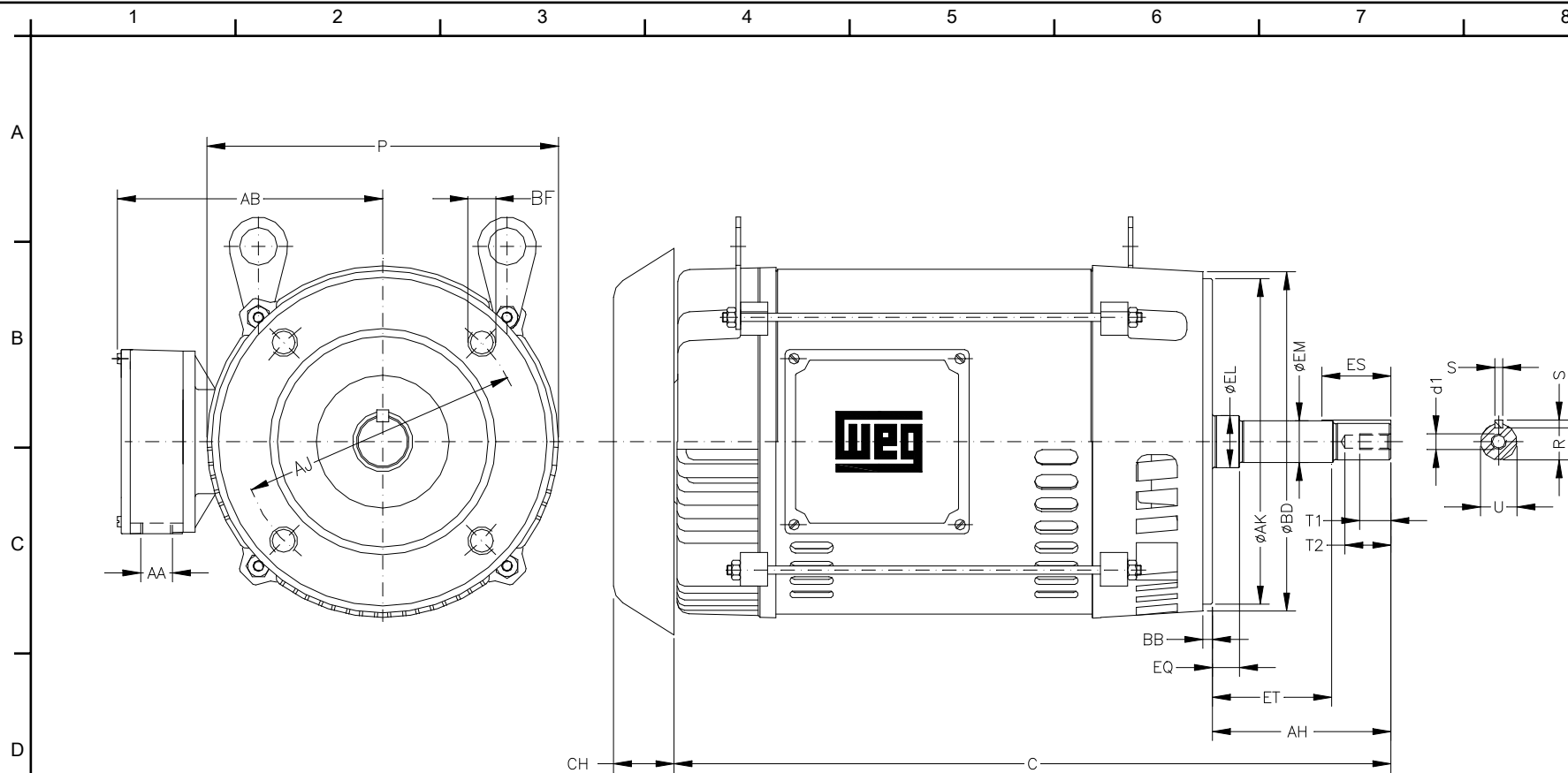
Customer :
Product line : Close Coupled Pump : Three-Phase - "JP" Type - ODP - High Efficiency - Vertical Motors

| | | | |
|------------------|---------------|--|---------|
| Frame | : 184JP | Locked rotor current (I _l /I _n) | : 7.0 |
| Output | : 7.5 HP | Duty cycle | : S1 |
| Frequency | : 60 Hz | Service factor | : 1.15 |
| Full load speed | : 3485 | Design | : B |
| Voltage | : 200/400 V | Locked rotor torque | : 220 % |
| Rated current | : 20.6/10.3 A | Breakdown torque | : 300 % |
| Insulation class | : F | | |

Notes:

Performed by

Checked



Notes:

Performed by:

Checked:

Customer:

Close Coupled Pump : Three-Phase - "JP" Type - ODP - High Efficiency - Vertical

Three-phase induction motor
Frame 184JP - IP21

27-DEC-2012



| | | | | |
|-------------|--------|--------------|-------|-------|
| P | AB | AA | EQ | ET |
| 7.637 | 6.574 | NPT 3/4" | 1.563 | 5.941 |
| U | EM | EL | S | EP |
| 0.874 | 1.000 | 1.250 | 0.187 | 1.376 |
| R | ES | d1 | t1 | t2 |
| 0.768 | 1.654 | EUNC 3/8"-16 | 0.748 | 1.102 |
| C | Flange | AJ | AK | BD |
| 21.023 | FC-149 | 5.874 | 4.500 | 6.496 |
| BF | BB | BC | AH | |
| UNC 3/8"x16 | 0.157 | | 7.319 | |