



No.:

Date: 27-DEC-2012

Customer :

TECHNICAL PROPOSAL

Three-phase induction motor - Squirrel cage rotor

Product line : Three-Phase : Explosion Proof - NEMA Premium

Catalog Number : 00736XT3E213TC

List Price : \$1,722

Notes:

Performed by:

Checked:



No.:

Date: 27-DEC-2012

DATA SHEET

Three-phase induction motor - Squirrel cage rotor

Customer :
Product line : Three-Phase : Explosion Proof - NEMA Premium

Frame : 213T
Output : 7.5 HP
Frequency : 60 Hz
Poles : 2
Full load speed : 3540
Slip : 1.67 %
Voltage : 208-230/460 V
Rated current : 19.8-17.9/8.97 A
Locked rotor current : 161/80.7 A
Locked rotor current (I_L/I_n) : 9.0
No-load current : 7.60/3.80 A
Full load torque : 11.0 lb.ft
Locked rotor torque : 300 %
Breakdown torque : 380 %
Design : B
Insulation class : F
Temperature rise : 80 K
Locked rotor time : 23 s (hot)
Service factor : 1.15
Duty cycle : S1
Ambient temperature : -20°C - +40°C
Altitude : 1000
Degree of Protection : IP54
Approximate weight : 190 lb
Moment of inertia : 0.46962 sq.ft.lb
Noise level : 72 dB(A)

	D.E.	N.D.E.	Load	Power factor	Efficiency (%)
Bearings	6308 Z	6207 Z	100%	0.86	89.5
Regreasing interval	18447 h	20000 h	75%	0.81	88.5
Grease amount	11 g	7 g	50%	0.71	85.5

Notes:

Performed by

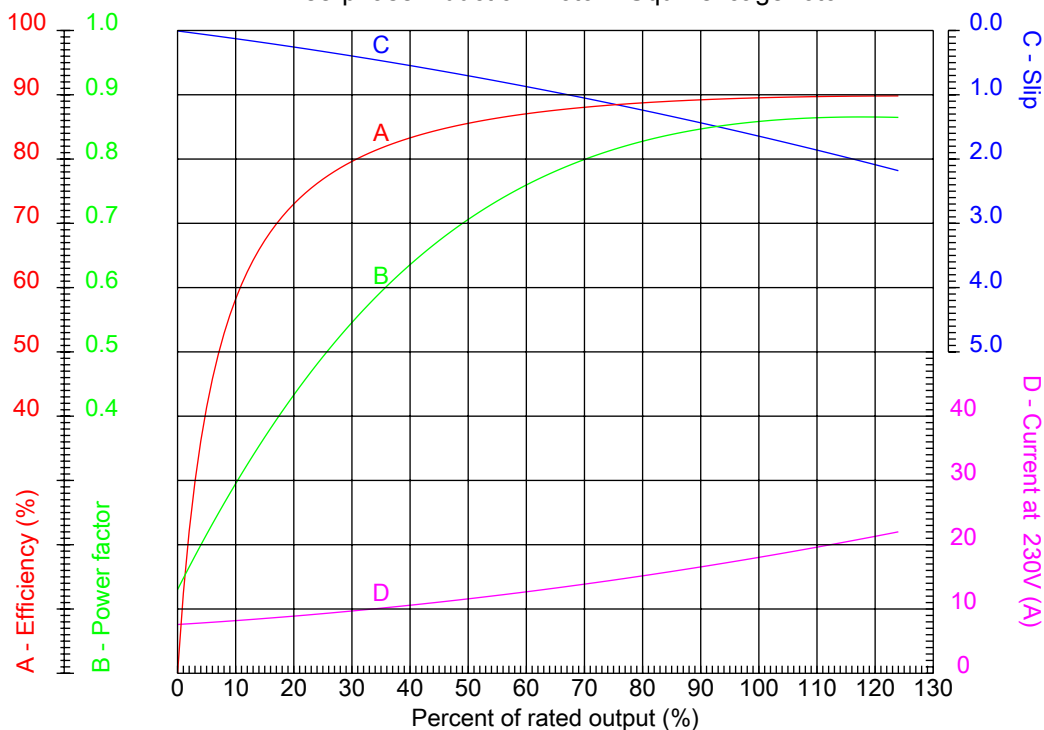
Checked



No.:

Date: 27-DEC-2012

PERFORMANCE CURVES RELATED TO RATED OUTPUT
Three-phase induction motor - Squirrel cage rotor



Customer :
Product line : Three-Phase : Explosion Proof - NEMA Premium

Frame	: 213T	Locked rotor current (I _l /I _n)	: 9.0
Output	: 7.5 HP	Duty cycle	: S1
Frequency	: 60 Hz	Service factor	: 1.15
Full load speed	: 3540	Design	: B
Voltage	: 208-230/460 V	Locked rotor torque	: 300 %
Rated current	: 19.8-17.9/8.97 A	Breakdown torque	: 380 %
Insulation class	: F		

Notes:

Performed by

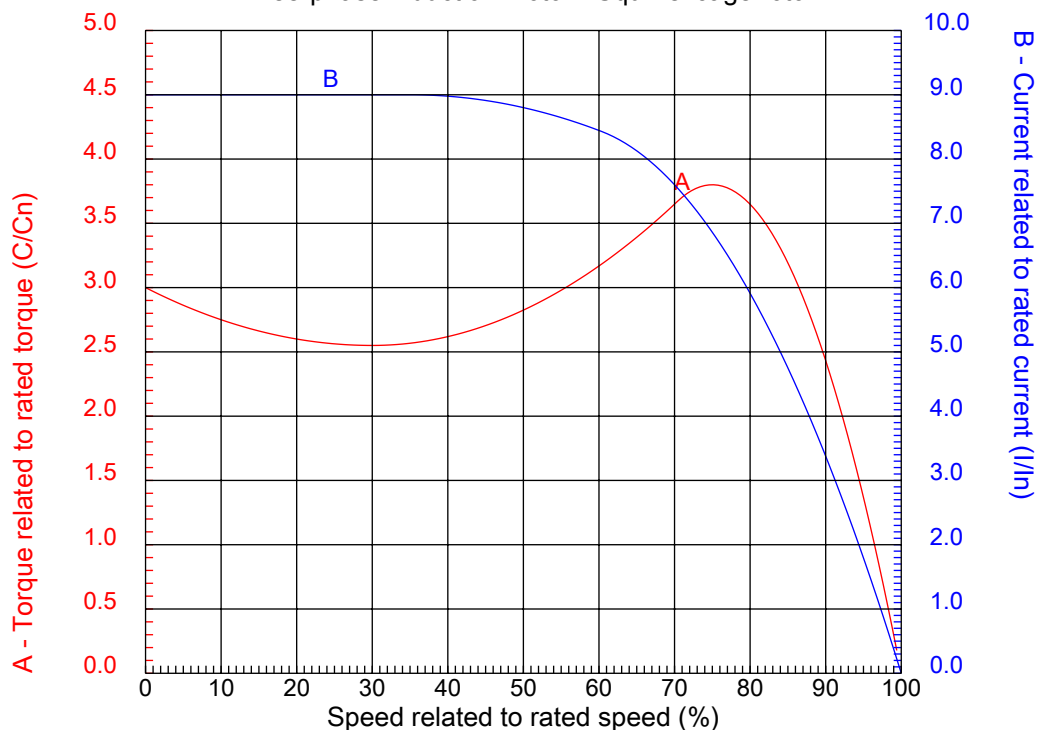
Checked



No.:

Date: 27-DEC-2012

CHARACTERISTIC CURVES RELATED TO SPEED Three-phase induction motor - Squirrel cage rotor



Customer :
Product line : Three-Phase : Explosion Proof - NEMA Premium

Frame	: 213T	Locked rotor current (I _l /I _n)	: 9.0
Output	: 7.5 HP	Duty cycle	: S1
Frequency	: 60 Hz	Service factor	: 1.15
Full load speed	: 3540	Design	: B
Voltage	: 208-230/460 V	Locked rotor torque	: 300 %
Rated current	: 19.8-17.9/8.97 A	Breakdown torque	: 380 %
Insulation class	: F		

Notes:

Performed by

Checked

1 2 3 4 5 6 7 8

A

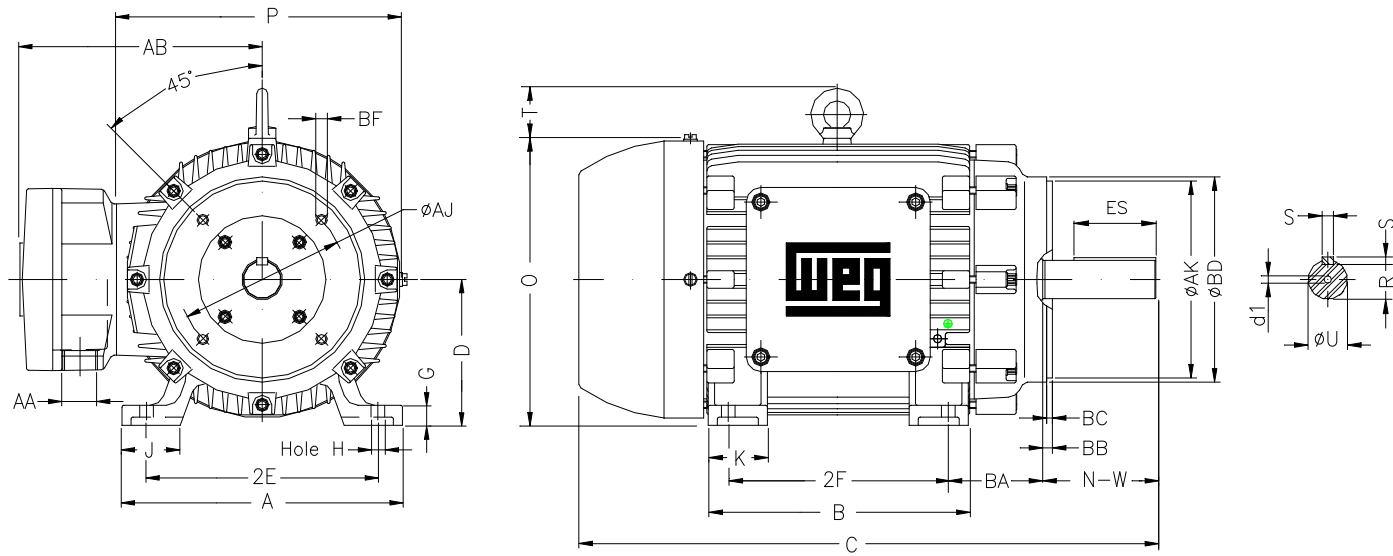
B

C

D

E

F



Notes:

2E 8.500	A 9.764	2F 5.500	B 7.402	BA 3.500
J 2.008	K 2.165	P 10.709	ES 2.480	depth 0.313
S 0.313	N-W 3.375	U 1.375	R 1.203	AB 9.252
D 5.250	G 0.827	O 11.156	HD 12.928	H 0.406
C 17.952	AA NPT 1"	d1 A 4	d2 A 4	T 1.772
Flange FC-184	AJ 7.250	AK 8.500	BD 8.875	BF UNC 1/2"x13
BB 0.250	BC 0.250	AH 3.125		

Performed by:

Checked:

Customer:

Three-Phase : Explosion Proof - NEMA Premium

Three-phase induction motor
Frame 213T - IP54

27-DEC-2012

