



No.:

Date: 27-DEC-2012

Customer :

TECHNICAL PROPOSAL

Three-phase induction motor - Squirrel cage rotor

Product line : Close Coupled Pump : Three-Phase - "JP" Type - ODP - High Efficiency - Vertical
Motors

Catalog Number : 01536OP3V215JPV

List Price : \$1,617

Notes:

Performed by:

Checked:



No.:

Date: 27-DEC-2012

DATA SHEET

Three-phase induction motor - Squirrel cage rotor

Customer :
 Product line : Close Coupled Pump : Three-Phase - "JP" Type - ODP - High Efficiency - Vertical Motors

Frame : 213/5JP
 Output : 15 HP
 Frequency : 60 Hz
 Poles : 2
 Full load speed : 3500
 Slip : 2.78 %
 Voltage : 200/400 V
 Rated current : 40.3/20.1 A
 Locked rotor current : 250/125 A
 Locked rotor current (I_L/I_n) : 6.2
 No-load current : 13.1/6.56 A
 Full load torque : 22.2 lb.ft
 Locked rotor torque : 200 %
 Breakdown torque : 290 %
 Design : B
 Insulation class : F
 Temperature rise : 80 K
 Locked rotor time : 12 s (hot)
 Service factor : 1.15
 Duty cycle : S1
 Ambient temperature : -20°C - +40°C
 Altitude : 1000
 Degree of Protection : IP21
 Approximate weight : 134 lb
 Moment of inertia : 0.57664 sq.ft.lb
 Noise level : ---

	D.E.	N.D.E.	Load	Power factor	Efficiency (%)
Bearings	6209 ZZ	6206 ZZ	100%	0.88	89.5
Regreasing interval	---	---	75%	0.86	89.5
Grease amount	---	---	50%	0.77	88.5

Notes:

Performed by

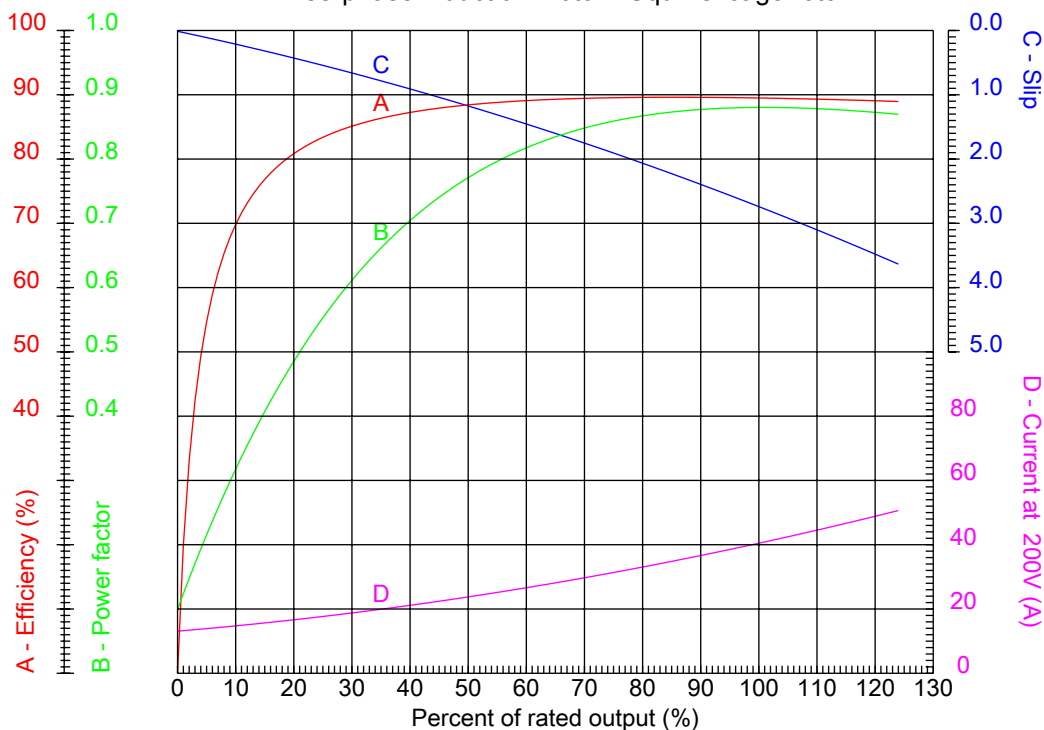
Checked



No.:

Date: 27-DEC-2012

PERFORMANCE CURVES RELATED TO RATED OUTPUT Three-phase induction motor - Squirrel cage rotor



Customer :
Product line : Close Coupled Pump : Three-Phase - "JP" Type - ODP - High Efficiency - Vertical Motors

Frame : 213/5JP	Locked rotor current (I _l /I _n) : 6.2
Output : 15 HP	Duty cycle : S1
Frequency : 60 Hz	Service factor : 1.15
Full load speed : 3500	Design : B
Voltage : 200/400 V	Locked rotor torque : 200 %
Rated current : 40.3/20.1 A	Breakdown torque : 290 %
Insulation class : F	

Notes:

Performed by

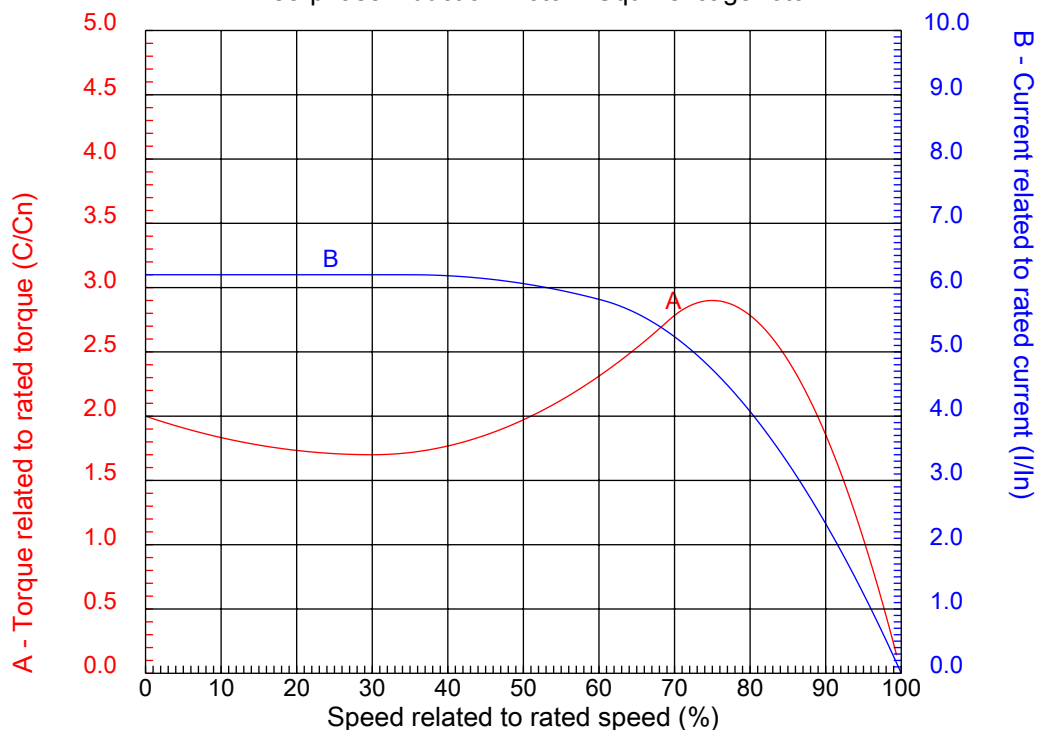
Checked



No.:

Date: 27-DEC-2012

CHARACTERISTIC CURVES RELATED TO SPEED Three-phase induction motor - Squirrel cage rotor



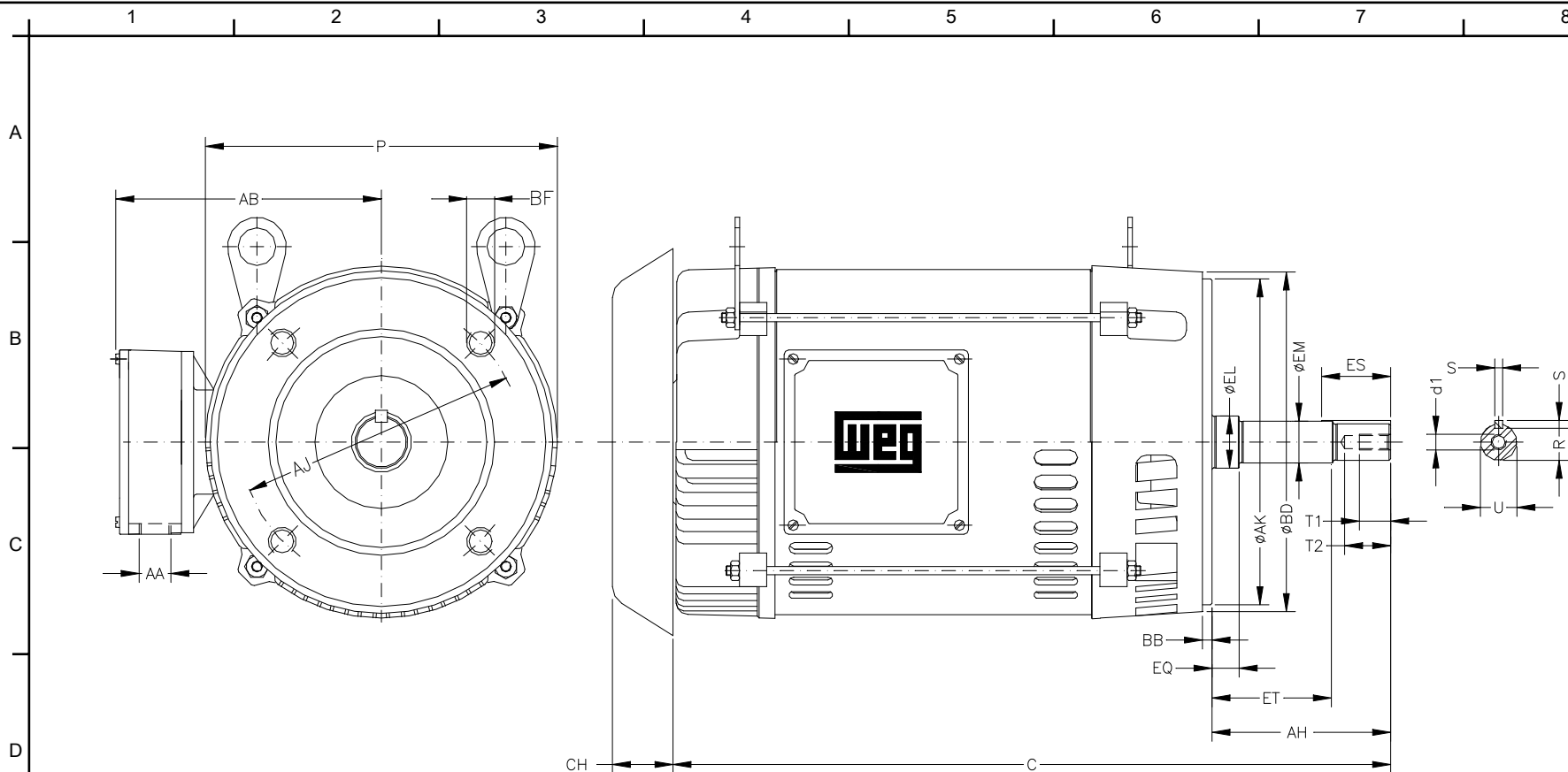
Customer :
Product line : Close Coupled Pump : Three-Phase - "JP" Type - ODP - High Efficiency - Vertical Motors

Frame	: 213/5JP	Locked rotor current (I _l /I _n)	: 6.2
Output	: 15 HP	Duty cycle	: S1
Frequency	: 60 Hz	Service factor	: 1.15
Full load speed	: 3500	Design	: B
Voltage	: 200/400 V	Locked rotor torque	: 200 %
Rated current	: 40.3/20.1 A	Breakdown torque	: 290 %
Insulation class	: F		

Notes:

Performed by

Checked



Notes:

Performed by:

Checked:

Customer:

Close Coupled Pump : Three-Phase - "JP" Type - ODP - High Efficiency - Vertical

Three-phase induction motor
Frame 213/5JP - IP21

27-DEC-2012



P	AB	EQ	ET	U
8.779	7.795	2.374	5.905	1.250
EM	EL	S	EP	R
1.375	1.750	0.250	1.769	1.110
ES	d1	t1	t2	C
2.559	EUNC 1/2"-13	0.984	1.496	21.240
Flange	AJ	AK	BD	BF
FC-184	7.250	8.500	8.858	UNC 1/2"x13
BB	BC	AH		
0.250		8.149		