



No.:

Date: 27-DEC-2012

Customer :

TECHNICAL PROPOSAL

Three-phase induction motor - Squirrel cage rotor

Product line : Close Coupled Pump : Three-Phase - "JP" Type - ODP - High Efficiency

Catalog Number : 02018OP3E256JP

List Price : \$2,107

Notes:

Performed by:

Checked:



No.:

Date: 27-DEC-2012

DATA SHEET

Three-phase induction motor - Squirrel cage rotor

Customer :
 Product line : Close Coupled Pump : Three-Phase - "JP" Type - ODP - High Efficiency

Frame : 256JP
 Output : 20 HP
 Frequency : 60 Hz
 Poles : 4
 Full load speed : 1765
 Slip : 1.94 %
 Voltage : 208-230/460 V
 Rated current : 56.4-51.0/25.5 A
 Locked rotor current : 286/143 A
 Locked rotor current (I_L/I_n) : 5.6
 No-load current : 24.0/12.0 A
 Full load torque : 58.7 lb.ft
 Locked rotor torque : 230 %
 Breakdown torque : 250 %
 Design : B
 Insulation class : F
 Temperature rise : 80 K
 Locked rotor time : 12 s (hot)
 Service factor : 1.15
 Duty cycle : S1
 Ambient temperature : -20°C - +40°C
 Altitude : 1000
 Degree of Protection : IP23
 Approximate weight : 251 lb
 Moment of inertia : 1.8460 sq.ft.lb
 Noise level : 60 dB(A)

	D.E.	N.D.E.	Load	Power factor	Efficiency (%)
Bearings	6309 Z-C3	6209 Z-C3	100%	0.81	91.0
Regreasing interval	20000 h	20000 h	75%	0.75	91.0
Grease amount	13 g	9 g	50%	0.64	90.2

Notes:

Performed by

Checked

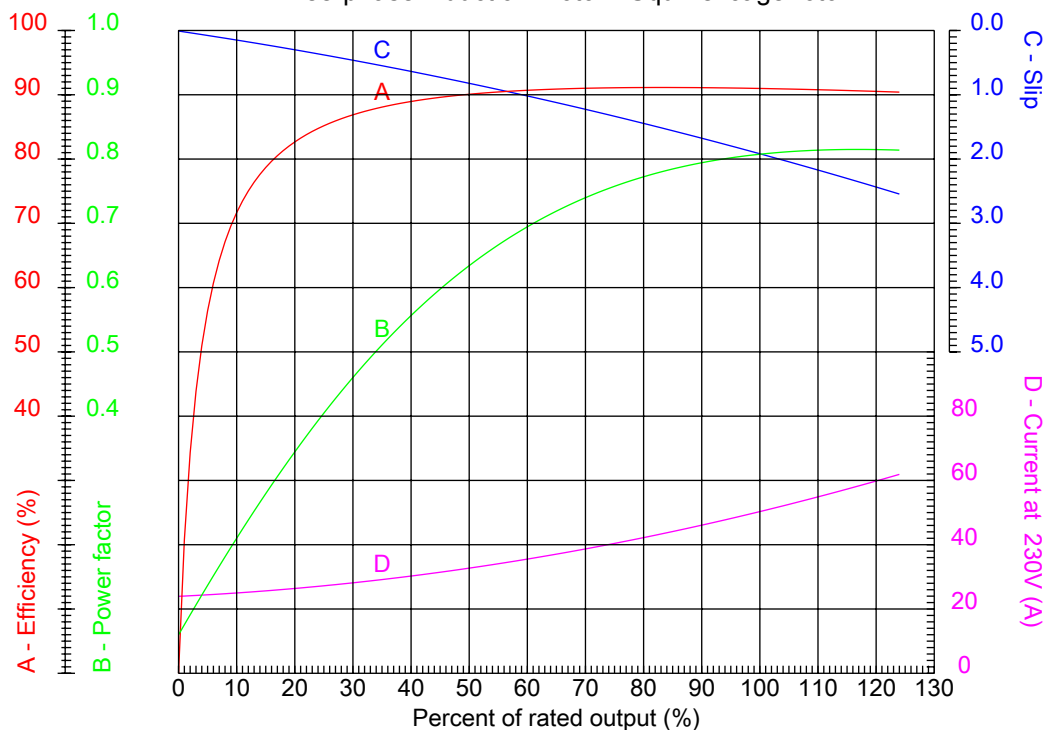


No.:

Date: 27-DEC-2012

PERFORMANCE CURVES RELATED TO RATED OUTPUT

Three-phase induction motor - Squirrel cage rotor



Customer :
Product line : Close Coupled Pump : Three-Phase - "JP" Type - ODP - High Efficiency

Frame	: 256JP	Locked rotor current (I _l /I _n)	: 5.6
Output	: 20 HP	Duty cycle	: S1
Frequency	: 60 Hz	Service factor	: 1.15
Full load speed	: 1765	Design	: B
Voltage	: 208-230/460 V	Locked rotor torque	: 230 %
Rated current	: 56.4-51.0/25.5 A	Breakdown torque	: 250 %
Insulation class	: F		

Notes:

Performed by

Checked

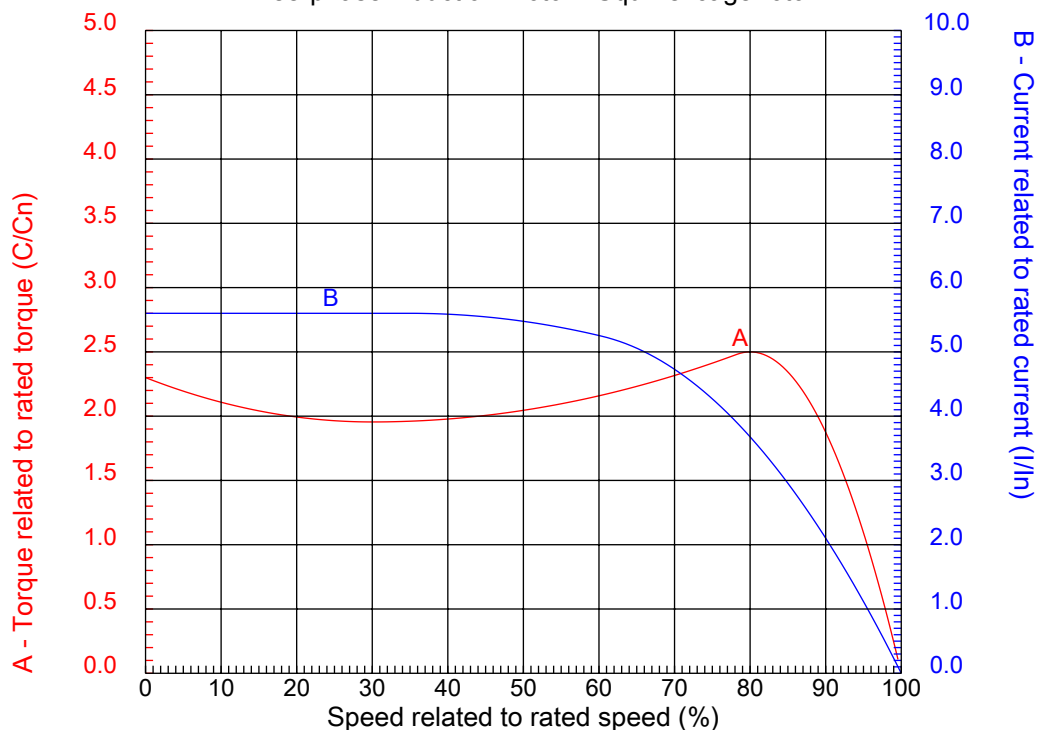


No.:

Date: 27-DEC-2012

CHARACTERISTIC CURVES RELATED TO SPEED

Three-phase induction motor - Squirrel cage rotor



Customer :
Product line : Close Coupled Pump : Three-Phase - "JP" Type - ODP - High Efficiency

Frame	: 256JP	Locked rotor current (I _l /I _n)	: 5.6
Output	: 20 HP	Duty cycle	: S1
Frequency	: 60 Hz	Service factor	: 1.15
Full load speed	: 1765	Design	: B
Voltage	: 208-230/460 V	Locked rotor torque	: 230 %
Rated current	: 56.4-51.0/25.5 A	Breakdown torque	: 250 %
Insulation class	: F		

Notes:

Performed by

Checked

1 2 3 4 5 6 7 8

A

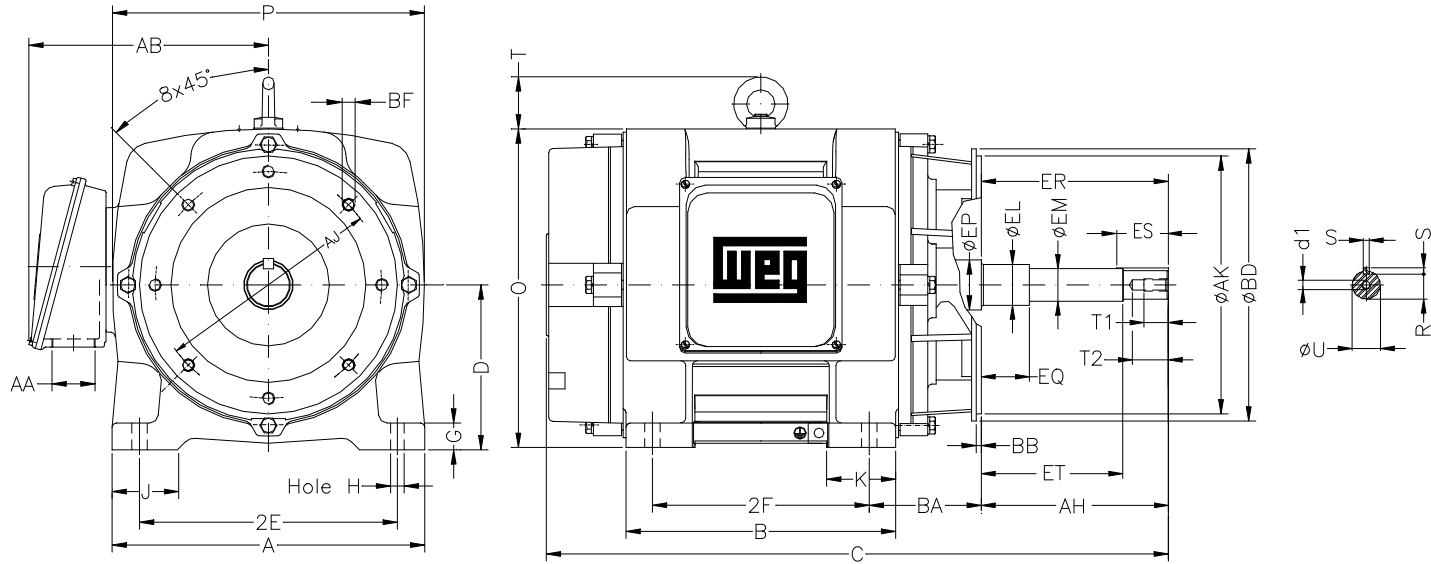
B

C

D

E

F



Notes:

Performed by:

Checked:

Customer:

Close Coupled Pump : Three-Phase - "JP" Type - ODP - High Efficiency

Three-phase induction motor
Frame 256JP - IP23

27-DEC-2012



2E 10.000	A 12.130	2F 10.000	B 11.732	J 2.520
BA 4.500	D 6.220	K 2.560	G 0.787	O 12.204
P 11.812	T 2.165	HD 14.369	H 0.531	AA NPT 1 1/2"
ER 8.130	EQ 2.382	ET 5.886	U 1.249	EM 1.375
EL 1.750	S 0.250	EP 1.770	R 1.110	ES 2.559
d1 EUNC 1/2"-13	t1 0.984	t2 1.496	C 26.782	Flange FC-184
AJ 7.250	AK 8.500	BD 8.858	BF UNC 1/2"x13	BB 0.250
BC	AH 8.130			