



No.:

Date: 28-DEC-2012

Customer :

TECHNICAL PROPOSAL

Three-phase induction motor - Squirrel cage rotor

Product line : Three-Phase : W22 Crusher Duty TEFC (IP55)

Catalog Number : 30018EP3GKD580Z-W22

List Price : \$34,713

Notes:

Performed by:

Checked:



No.:

Date: 28-DEC-2012

## DATA SHEET

### Three-phase induction motor - Squirrel cage rotor

Customer :  
Product line : Three-Phase : W22 Crusher Duty TEFC (IP55)

Frame : 586/7Z  
Output : 300 HP  
Frequency : 60 Hz  
Poles : 4  
Full load speed : 1790  
Slip : 0.56 %  
Voltage : 460 V  
Rated current : 335 A  
Locked rotor current : 2450 A  
Locked rotor current (I<sub>L</sub>/I<sub>n</sub>) : 7.3  
No-load current : 110 A  
Full load torque : 868 lb.ft  
Locked rotor torque : 210 %  
Breakdown torque : 260 %  
Design : A  
Insulation class : F  
Temperature rise : 80 K  
Locked rotor time : 12 s (hot)  
Service factor : 1.15  
Duty cycle : S1  
Ambient temperature : -20°C - +40°C  
Altitude : 1000  
Degree of Protection : IP55  
Approximate weight : 2975 lb  
Moment of inertia : 137.59 sq.ft.lb  
Noise level : 81 dB(A)

	D.E.	N.D.E.	Load	Power factor	Efficiency (%)
Bearings	NU-324 C3	6319 C3	100%	0.86	95.8
Regreasing interval	3000 h	8000 h	75%	0.83	95.4
Grease amount	72 g	45 g	50%	0.75	94.1

Notes:

Performed by

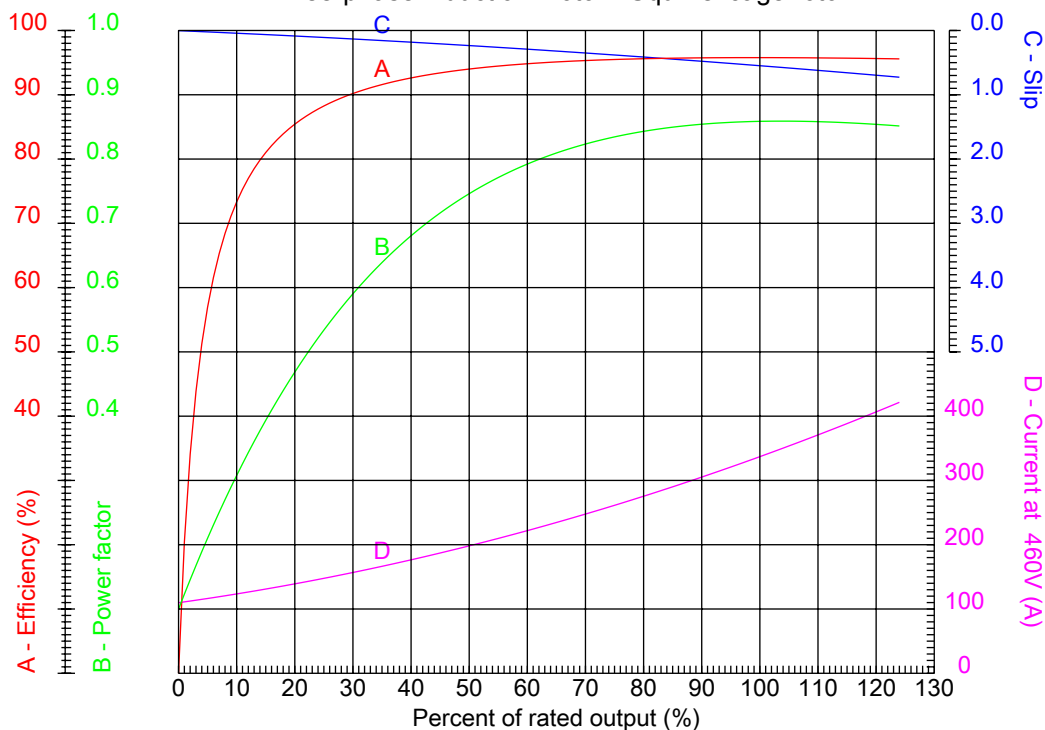
Checked



No.:

Date: 28-DEC-2012

### PERFORMANCE CURVES RELATED TO RATED OUTPUT Three-phase induction motor - Squirrel cage rotor



Customer :  
Product line : Three-Phase : W22 Crusher Duty TEFC (IP55)

Frame : 586/7Z	Locked rotor current (I <sub>l</sub> /I <sub>n</sub> ) : 7.3
Output : 300 HP	Duty cycle : S1
Frequency : 60 Hz	Service factor : 1.15
Full load speed : 1790	Design : A
Voltage : 460 V	Locked rotor torque : 210 %
Rated current : 335 A	Breakdown torque : 260 %
Insulation class : F	

Notes:

Performed by

Checked

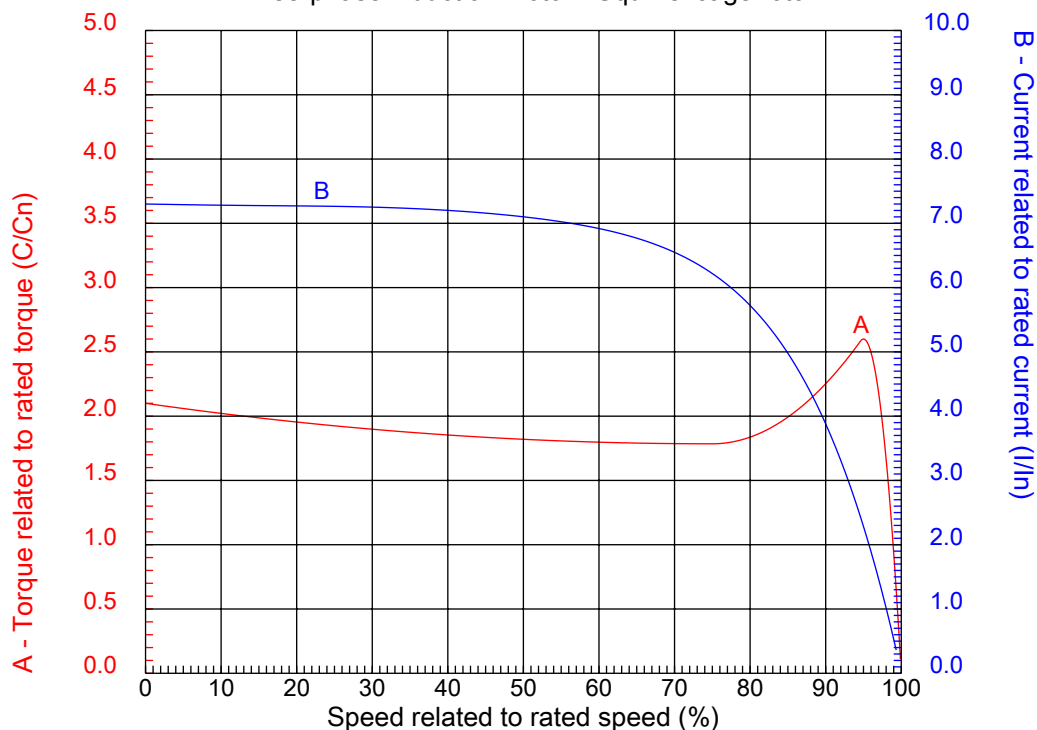


No.:

Date: 28-DEC-2012

### CHARACTERISTIC CURVES RELATED TO SPEED

Three-phase induction motor - Squirrel cage rotor



Customer :  
Product line : Three-Phase : W22 Crusher Duty TEFC (IP55)

Frame	: 586/7Z	Locked rotor current (I <sub>l</sub> /I <sub>n</sub> )	: 7.3
Output	: 300 HP	Duty cycle	: S1
Frequency	: 60 Hz	Service factor	: 1.15
Full load speed	: 1790	Design	: A
Voltage	: 460 V	Locked rotor torque	: 210 %
Rated current	: 335 A	Breakdown torque	: 260 %
Insulation class	: F		

Notes:

Performed by

Checked

1 2 3 4 5 6 7 8

A

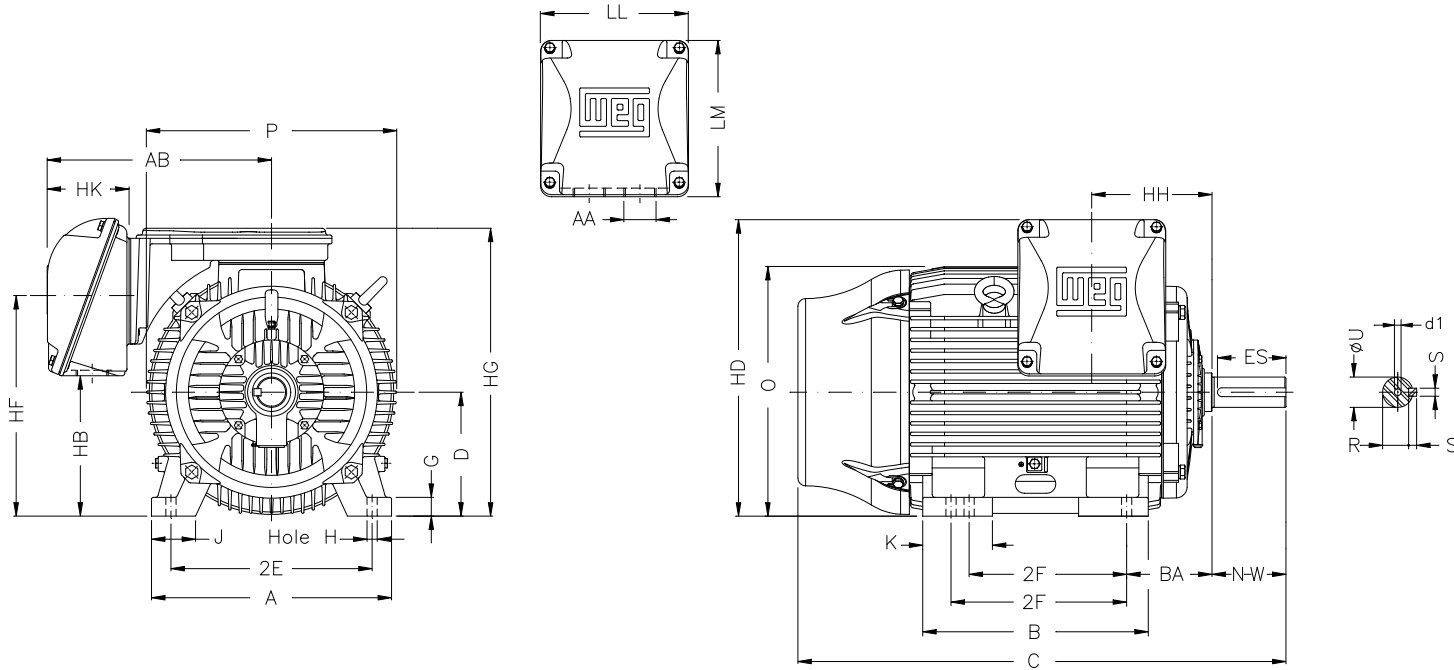
B

C

D

E

F



Notes:

2E 23.000	J 5.512	A 29.528	P 28.977	AB 23.977
2F 22.000/25.000	K 9.055	B 29.921	BA 10.000	U 4.375
N-W 11.625	ES 8.661	S 1.000	R 3.816	depth 1.000
D 14.500	G 2.492	HB 17.322	O 28.985	T 5.552
HD 34.537	HF 26.732	HG 33.346	HH 13.386	HK 8.464
H 1.181	C 61.902	LL 15.906	LM 17.244	AA 2XNPT 3"
d1 DUNC 7/8"-9	d2 DUNC 3/4"-10			

Performed by:

Checked:

Customer:

Three-Phase : W22 Crusher Duty TEFC (IP55)

Three-phase induction motor  
Frame 586/7Z - IP55

28-DEC-2012

