



No.:

Date: 28-DEC-2012

Customer :

TECHNICAL PROPOSAL

Three-phase induction motor - Squirrel cage rotor

Product line : Three-Phase : W22 Crusher Duty TEFC (IP55)

Catalog Number : 45012EP3GKD580Z-W22

List Price : \$54,954

Notes:

Performed by:

Checked:



No.:

Date: 28-DEC-2012

DATA SHEET

Three-phase induction motor - Squirrel cage rotor

Customer :
Product line : Three-Phase : W22 Crusher Duty TEFC (IP55)

Frame : 586/7Z
Output : 450 HP
Frequency : 60 Hz
Poles : 6
Full load speed : 1195
Slip : 0.42 %
Voltage : 460 V
Rated current : 540 A
Locked rotor current : 3460 A
Locked rotor current (I_L/I_n) : 6.4
No-load current : 226 A
Full load torque : 1951 lb.ft
Locked rotor torque : 230 %
Breakdown torque : 240 %
Design : A
Insulation class : F
Temperature rise : 80 K
Locked rotor time : 12 s (hot)
Service factor : 1.15
Duty cycle : S1
Ambient temperature : -20°C - +40°C
Altitude : 1000
Degree of Protection : IP55
Approximate weight : 4223 lb
Moment of inertia : 367.54 sq.ft.lb
Noise level : 77 dB(A)

	D.E.	N.D.E.	Load	Power factor	Efficiency (%)
Bearings	NU-324 C3	6319 C3	100%	0.80	95.4
Regreasing interval	6000 h	13000 h	75%	0.75	95.4
Grease amount	72 g	45 g	50%	0.65	95.0

Notes:

Performed by

Checked

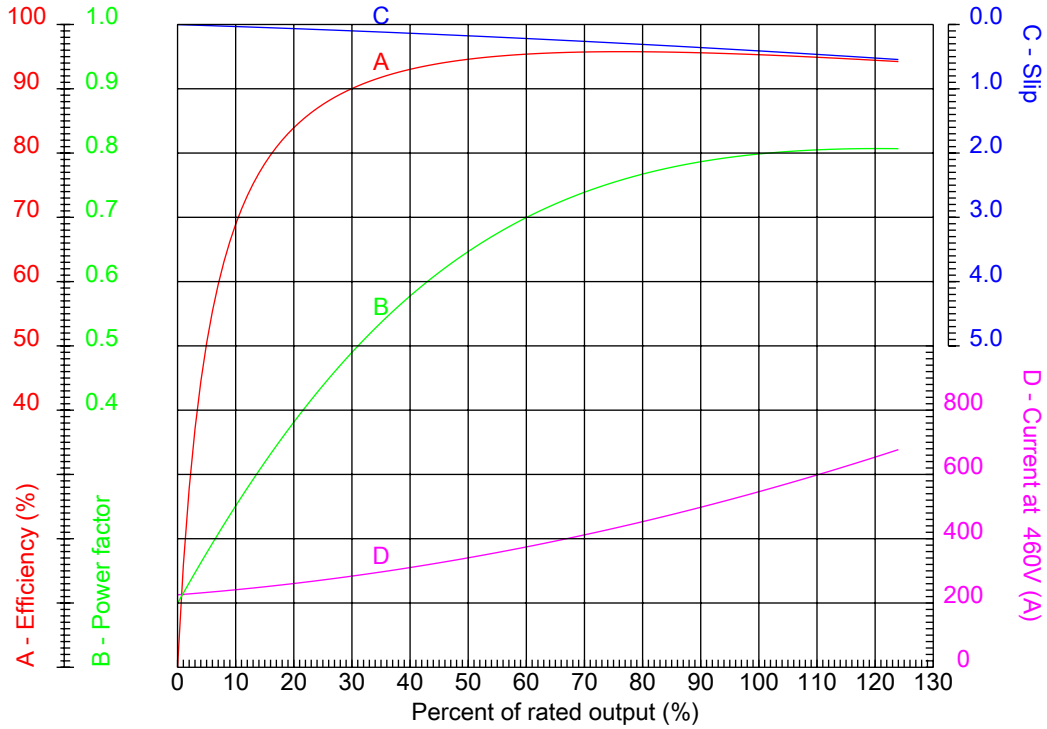


No.:

Date: 28-DEC-2012

PERFORMANCE CURVES RELATED TO RATED OUTPUT

Three-phase induction motor - Squirrel cage rotor



Customer :
 Product line : Three-Phase : W22 Crusher Duty TEFC (IP55)

Frame	: 586/7Z	Locked rotor current (I _l /I _n)	: 6.4
Output	: 450 HP	Duty cycle	: S1
Frequency	: 60 Hz	Service factor	: 1.15
Full load speed	: 1195	Design	: A
Voltage	: 460 V	Locked rotor torque	: 230 %
Rated current	: 540 A	Breakdown torque	: 240 %
Insulation class	: F		

Notes:

Performed by

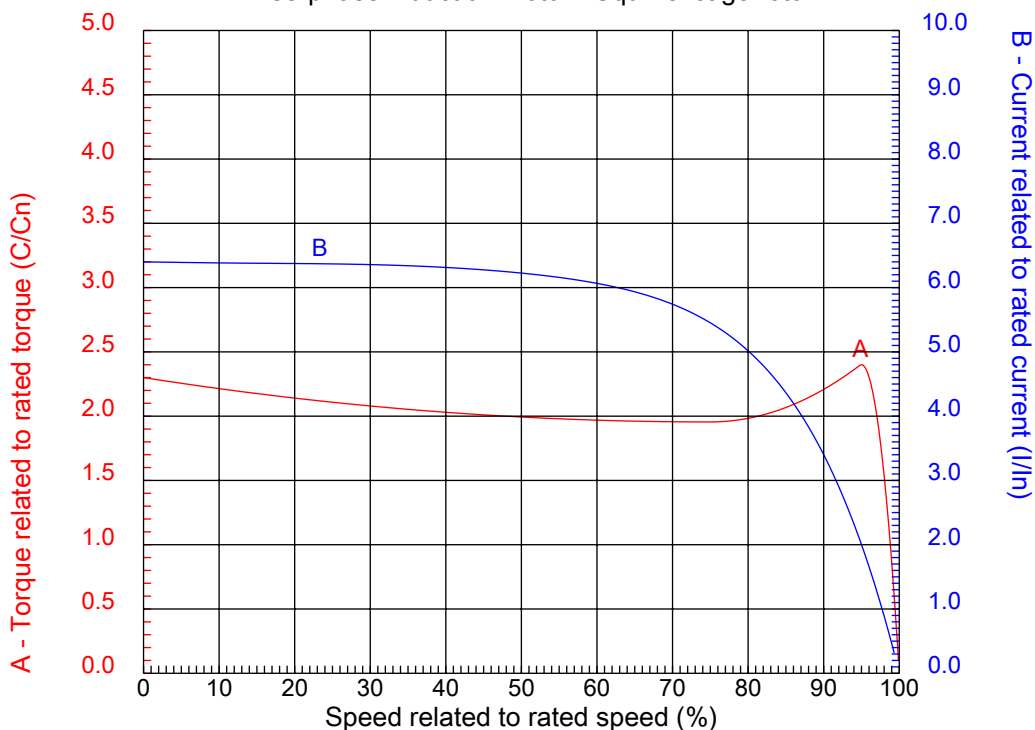
Checked



No.:

Date: 28-DEC-2012

CHARACTERISTIC CURVES RELATED TO SPEED Three-phase induction motor - Squirrel cage rotor



Customer :
Product line : Three-Phase : W22 Crusher Duty TEFC (IP55)

Frame	: 586/7Z	Locked rotor current (I _l /I _n)	: 6.4
Output	: 450 HP	Duty cycle	: S1
Frequency	: 60 Hz	Service factor	: 1.15
Full load speed	: 1195	Design	: A
Voltage	: 460 V	Locked rotor torque	: 230 %
Rated current	: 540 A	Breakdown torque	: 240 %
Insulation class	: F		

Notes:

Performed by

Checked

1 2 3 4 5 6 7 8

A

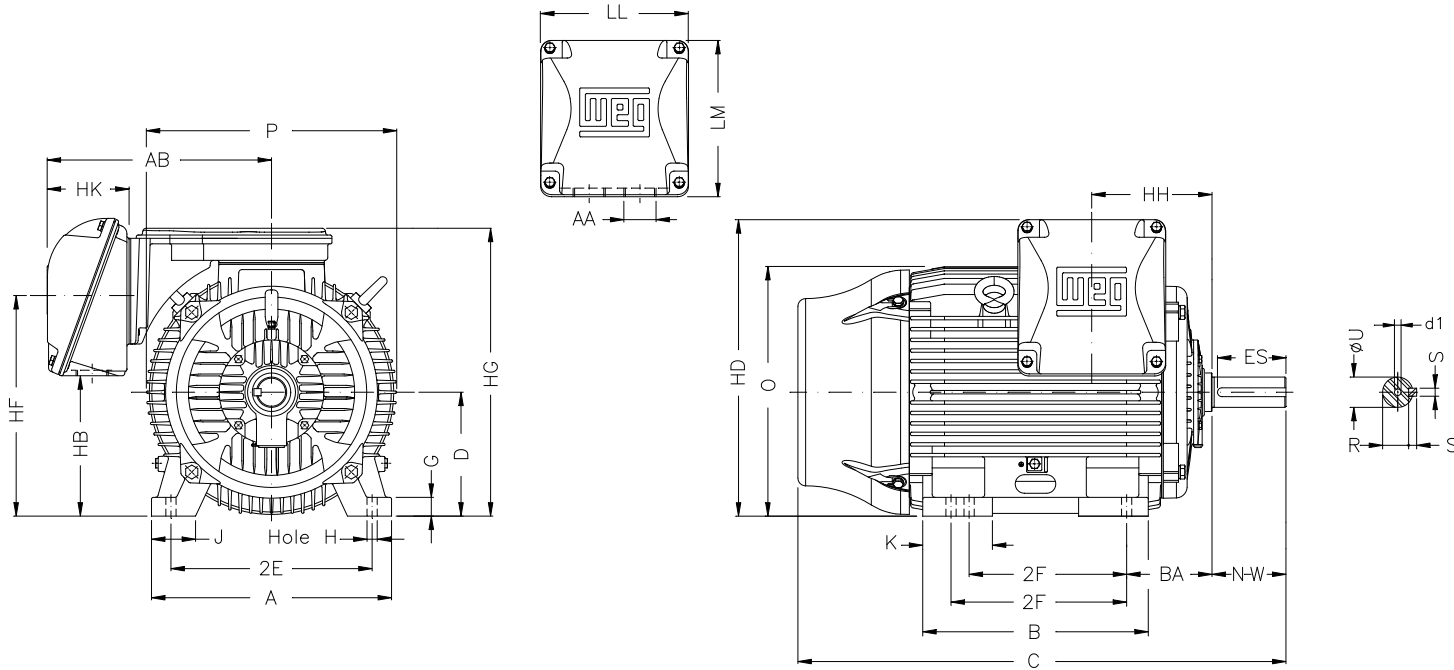
B

C

D

E

F



Notes:

2E 23.000	J 5.512	A 29.528	P 28.977	AB 23.977
2F 22.000/25.000	K 9.055	B 29.921	BA 10.000	U 4.375
N-W 11.625	ES 8.661	S 1.000	R 3.816	depth 1.000
D 14.500	G 2.492	HB 17.322	O 28.985	T 5.552
HD 34.537	HF 26.732	HG 33.346	HH 13.386	HK 8.464
H 1.181	C 61.902	LL 15.906	LM 17.244	AA 2XNPT 3"
d1 DUNC 7/8"-9	d2 DUNC 3/4"-10			

Performed by:

Checked:

Customer:

Three-Phase : W22 Crusher Duty TEFC (IP55)

Three-phase induction motor
Frame 586/7Z - IP55

28-DEC-2012

