



The exclusive factory applied DreamLine™ ClearGlass™ coating which provides superior protection for shower glass by preventing mineral deposits, spotting, soap film and dirt from forming on the glass.

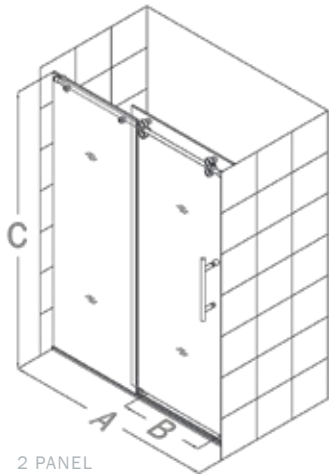


ENIGMA™ SHOWER DOOR

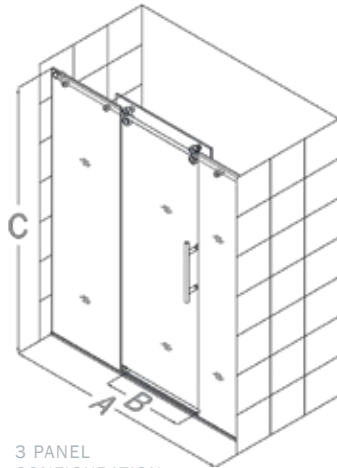




The **ENIGMA** shower door is stunning with a sophisticated frameless design that rivals custom glass for an exceptional value. Crafted from top of the line materials like striking stainless steel hardware and superior 1/2" thick tempered glass. The impressive glass is treated with DreamLine's exclusive ClearGlass™ protective coating for superior protection and easy maintenance. The **ENIGMA** collection offers a world-class shower door that becomes the centerpiece of any bathroom.



2 PANEL CONFIGURATION



3 PANEL CONFIGURATION

A	B WALK IN	C
2 PANEL CONFIGURATION		
56 - 60"	22 - 26"	79"
3 PANEL CONFIGURATION		
68 - 72"	20 - 24"	79"



- Advanced fully frameless glass design
- 1/2" (12mm) thick tempered clear glass
- Stainless steel hardware available in polished or brushed finish
- Effortless single sliding door operation
- Anti-splash flange prevents water spillage
- Installation requires a minimum shower threshold depth of 3-3/4"
- Exclusive DreamLine ClearGlass protective anti-limescale coating
- Reversible for right or left door opening
- Shower door width can be adjusted during installation up to 4"
- No adjustability for out-of-plumb walls
- **Professional installation required**



Visit [PARTNER PORTAL](#) for the latest dealer news and updates

Visit WWW.BATHAUTHORITY.COM for detailed product information
Tel: 866.731.8378 | Fax: 866.227.9245 | sales@bathauthority.com

