



No.:

Date: 24-DEC-2012

Customer :

TECHNICAL PROPOSAL

Three-phase induction motor - Squirrel cage rotor

Product line : Three-Phase: W21 IE3 IEC Tru-Metric - TEFC (IP55) Multi-Mounting Aluminum Frame

Catalog Number : 00336ET3WAL100L

List Price : \$805

Notes:

Performed by:

Checked:



No.:

Date: 24-DEC-2012

## DATA SHEET

### Three-phase induction motor - Squirrel cage rotor

Customer :  
Product line : Three-Phase: W21 IE3 IEC Tru-Metric - TEFC (IP55) Multi-Mounting Aluminum Frame

Frame : 100L  
Output : 4 HP  
Frequency : 60 Hz  
Poles : 2  
Full load speed : 3510  
Slip : 2.50 %  
Voltage : 460 V  
Rated current : 5.01 A  
Locked rotor current : 46.1 A  
Locked rotor current (I<sub>L</sub>/I<sub>n</sub>) : 9.2  
No-load current : 2.35 A  
Full load torque : 5.90 lb.ft  
Locked rotor torque : 380 %  
Breakdown torque : 500 %  
Design : N  
Insulation class : F  
Temperature rise : 80 K  
Locked rotor time : 18 s (hot)  
Service factor : 1.25  
Duty cycle : S1  
Ambient temperature : -20°C - +40°C  
Altitude : 1000  
Degree of Protection : IP55  
Approximate weight : 61 lb  
Moment of inertia : 0.15187 sq.ft.lb  
Noise level : 67 dB(A)

	D.E.	N.D.E.	Load	Power factor	Efficiency (%)
Bearings	6206 ZZ	6205 ZZ	100%	0.85	88.5
Regreasing interval	---	---	75%	0.79	86.5
Grease amount	---	---	50%	0.68	82.5

Notes:

Performed by

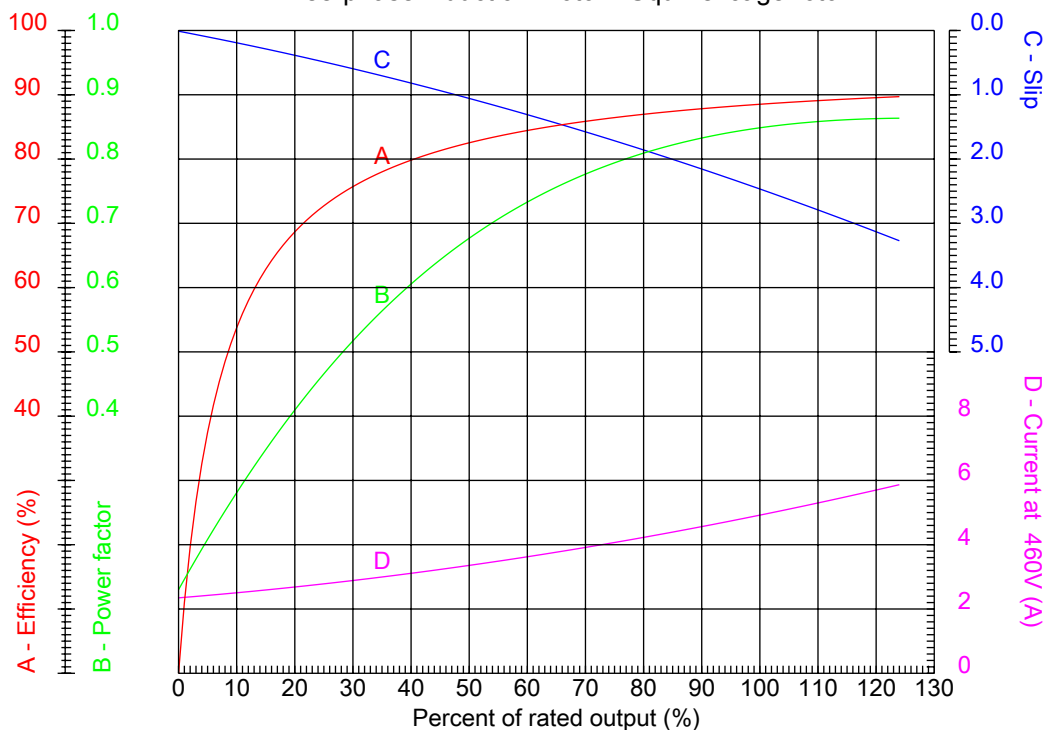
Checked



No.:

Date: 24-DEC-2012

PERFORMANCE CURVES RELATED TO RATED OUTPUT  
Three-phase induction motor - Squirrel cage rotor



Customer :  
Product line : Three-Phase: W21 IE3 IEC Tru-Metric - TEFC (IP55) Multi-Mounting Aluminum Frame

Frame	: 100L	Locked rotor current (I <sub>l</sub> /I <sub>n</sub> )	: 9.2
Output	: 4 HP	Duty cycle	: S1
Frequency	: 60 Hz	Service factor	: 1.25
Full load speed	: 3510	Design	: N
Voltage	: 460 V	Locked rotor torque	: 380 %
Rated current	: 5.01 A	Breakdown torque	: 500 %
Insulation class	: F		

Notes:

Performed by

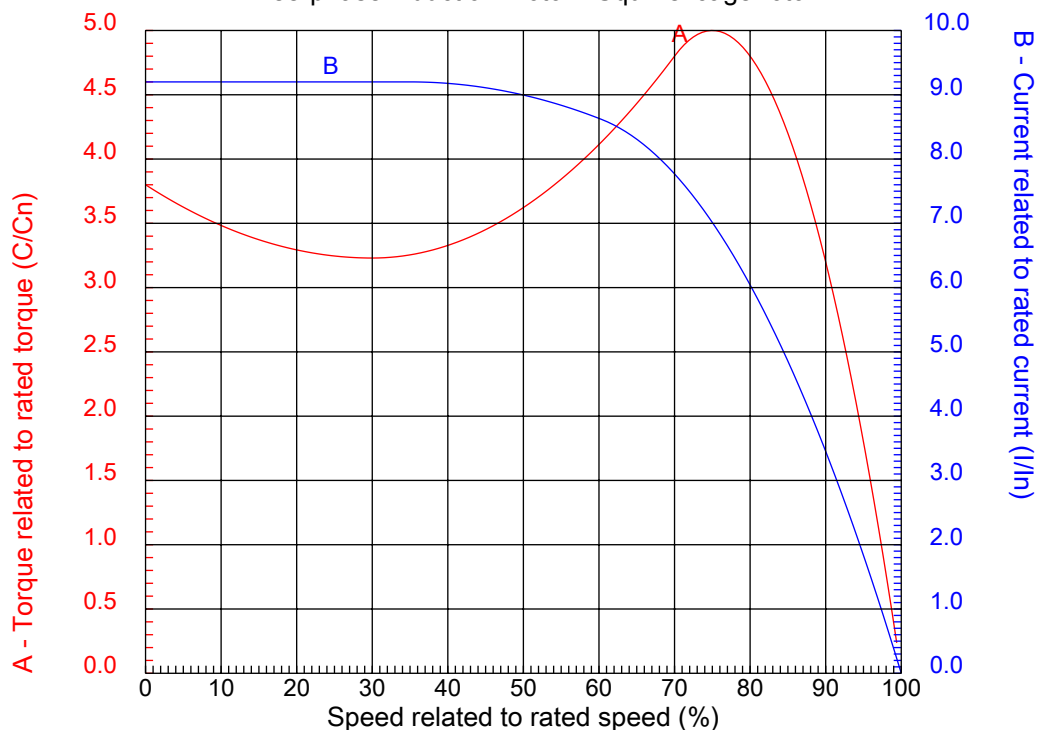
Checked



No.:

Date: 24-DEC-2012

### CHARACTERISTIC CURVES RELATED TO SPEED Three-phase induction motor - Squirrel cage rotor



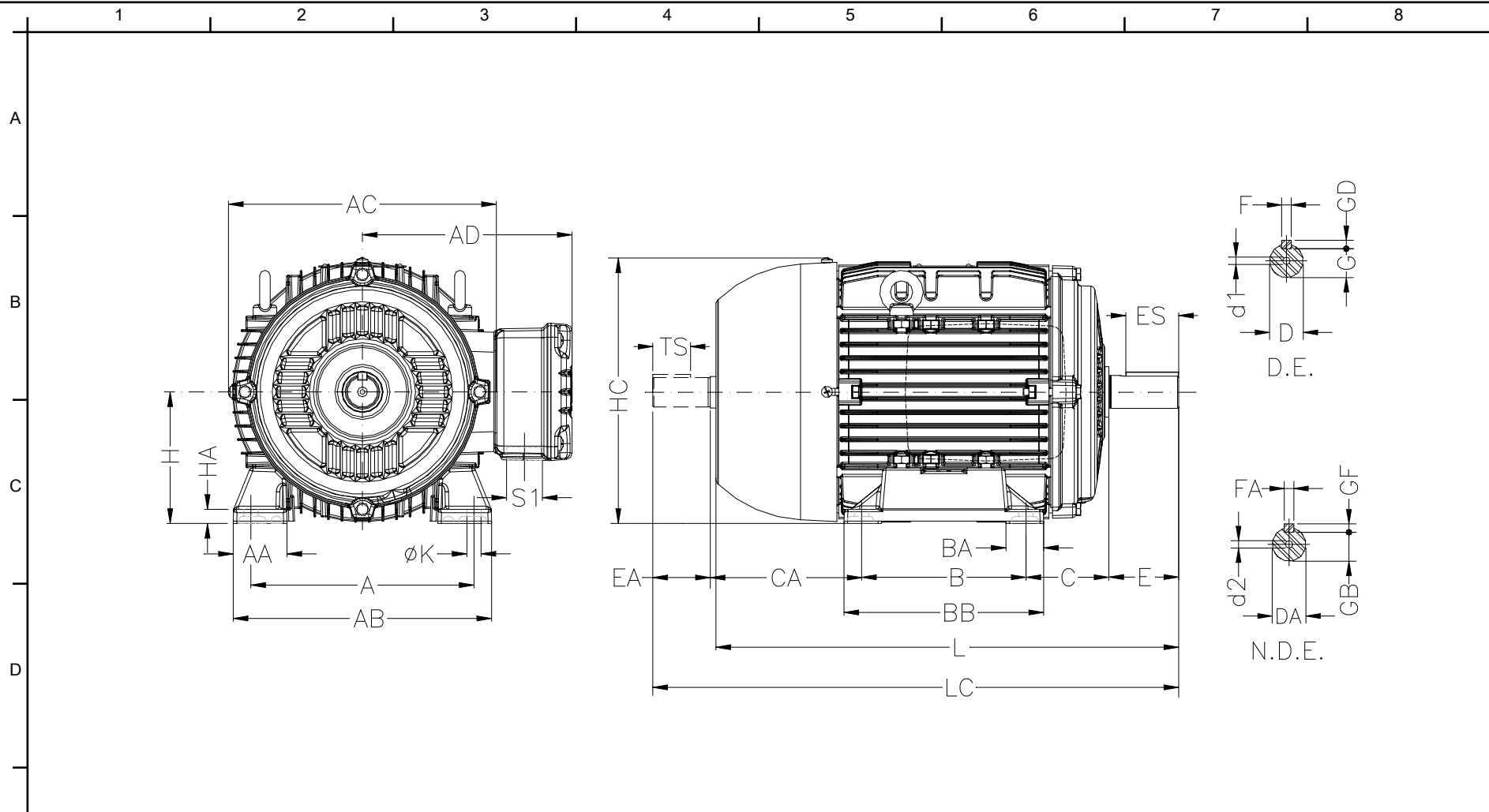
Customer :  
Product line : Three-Phase: W21 IE3 IEC Tru-Metric - TEFC (IP55) Multi-Mounting Aluminum Frame


Frame	: 100L	Locked rotor current (I <sub>l</sub> /I <sub>n</sub> )	: 9.2
Output	: 4 HP	Duty cycle	: S1
Frequency	: 60 Hz	Service factor	: 1.25
Full load speed	: 3510	Design	: N
Voltage	: 460 V	Locked rotor torque	: 380 %
Rated current	: 5.01 A	Breakdown torque	: 500 %
Insulation class	: F		

Notes:

Performed by

Checked



	A	AA	AB	AC	AD	Notes:
E	160	40	196	200	165	
	B	BA	BB	C	CA	Performed by:
	140	30	170	63	118	
	D	E	ES	F	G	Checked:
	28j6	60	45	8	24	
	GD	DA	EA	TS	FA	Customer:
	7	22j6	50	36	6	
	GB	GF	H	HA	HC	Three-Phase: W21 IE3 IEC Tru-Metric - TEFC (IP55) Multi-Mounting Aluminum
	18.5	6	100	12	198	
	HD	K	L	LC	S1	Three-phase induction motor
F	260	12	376	431	NPT 3/4"	
	d1	d2	Flange	LA	M	Frame 100L - IP55
	DM10	DM8	FF-215	11	215	
	N	P	T	S	Angle	24-DEC-2012
	180	250	4	15	45°	
	Holes					
	4					