



No.:

Date: 24-DEC-2012

Customer :

TECHNICAL PROPOSAL

Single-phase induction motor - Squirrel cage rotor

Product line : Single-Phase : W21 TEFC (IP55)

Catalog Number : 00512ES1E215T

List Price : \$1,588

Notes:

Performed by:

Checked:



No.:

Date: 24-DEC-2012

DATA SHEET

Single-phase induction motor - Squirrel cage rotor

Customer :
Product line : Single-Phase : W21 TEFC (IP55)

Frame : 215T
Output : 5 HP
Frequency : 60 Hz
Poles : 6
Full load speed : 1160
Slip : 3.33 %
Voltage : 208-230/460 V
Rated current : 23.3-22.0/11.0 A
Locked rotor current : 176/88.0 A
Locked rotor current (I_L/I_n) : 8.0
No-load current : 9.50/4.75 A
Full load torque : 22.3 lb.ft
Locked rotor torque : 270 %
Breakdown torque : 220 %
Design : ---
Insulation class : F
Temperature rise : 80 K
Locked rotor time : 6 s (hot)
Service factor : 1.15
Duty cycle : S1
Ambient temperature : -20°C - +40°C
Altitude : 1000
Degree of Protection : IP55
Approximate weight : 166 lb
Moment of inertia : 1.7513 sq.ft.lb
Noise level : ---

	D.E.	N.D.E.	Load	Power factor	Efficiency (%)
Bearings	6308 ZZ	6206 ZZ	100%	0.91	80.0
Regreasing interval	---	---	75%	0.88	79.5
Grease amount	---	---	50%	0.81	76.0

Notes:

Performed by

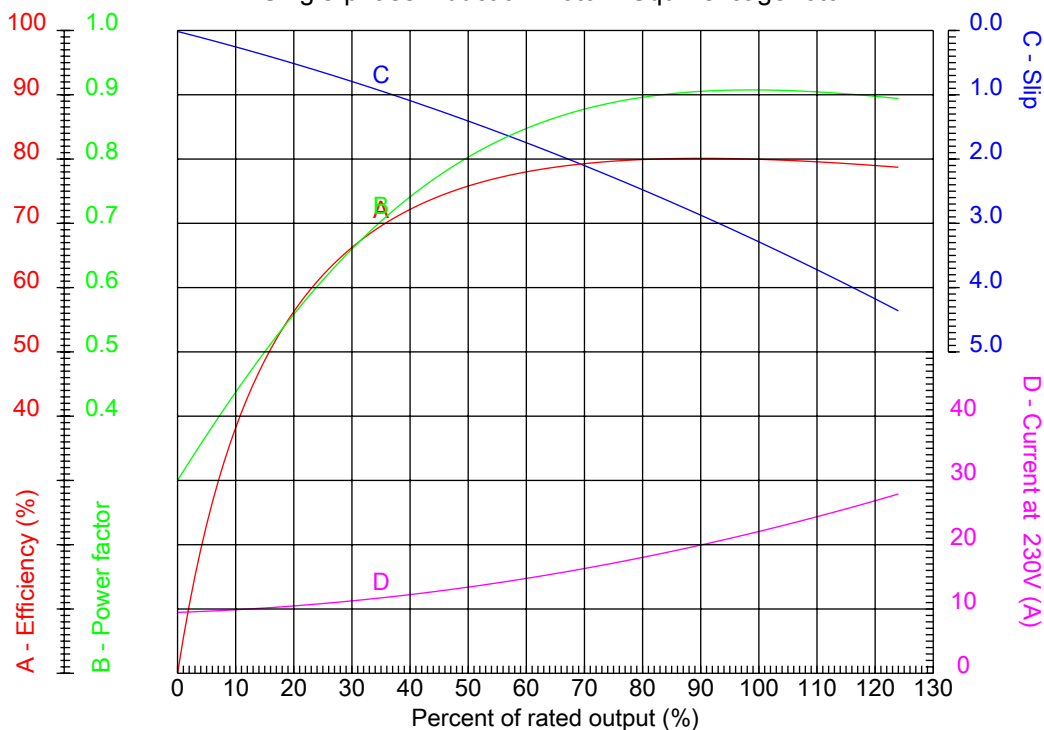
Checked



No.:

Date: 24-DEC-2012

PERFORMANCE CURVES RELATED TO RATED OUTPUT Single-phase induction motor - Squirrel cage rotor



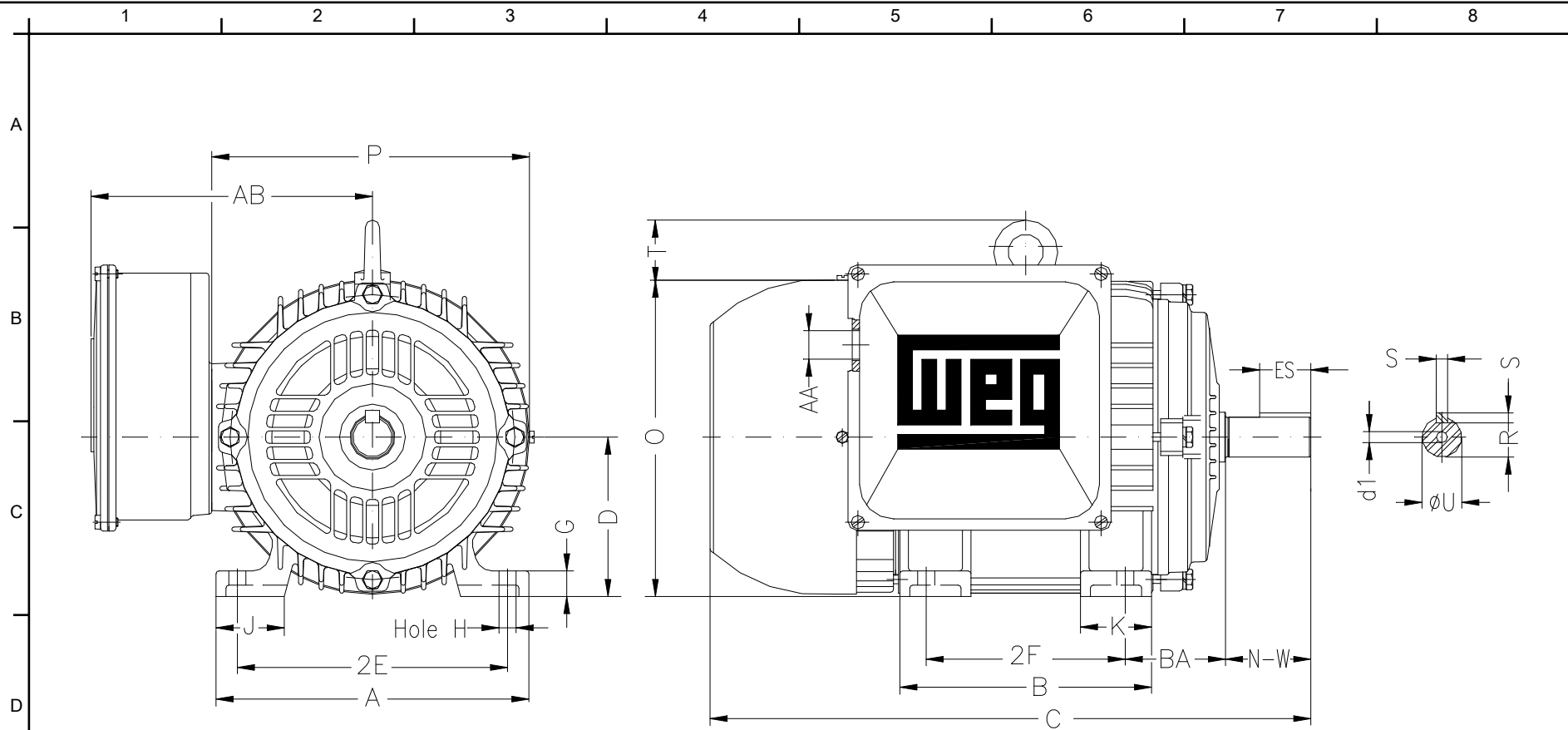
Customer :
Product line : Single-Phase : W21 TEFC (IP55)

Frame	: 215T	Locked rotor current (I _l /I _n)	: 8.0
Output	: 5 HP	Duty cycle	: S1
Frequency	: 60 Hz	Service factor	: 1.15
Full load speed	: 1160	Design	: ---
Voltage	: 208-230/460 V	Locked rotor torque	: 270 %
Rated current	: 23.3-22.0/11.0 A	Breakdown torque	: 220 %
Insulation class	: F		

Notes:

Performed by

Checked



Notes:

Performed by:

Checked:

Customer:

Single-Phase : W21 TEFC (IP55)

2E	2F	H	BA	A
8.500	7.000	0.406	3.500	9.764
B	C	D	G	J
8.858	19.567	5.250	0.827	2.008
K	O	P	ES	S
2.165	10.841	10.630	2.480	0.313
N-W	U	R	AB	AA
3.375	1.375	1.203	9.055	NPT 1
d1	Flange	AJ	AK	BD
A4	FD-254	10.000	9.000	11.000
BF	BB			
0.562	0.203			

Single-phase induction motor
Frame 215T - IP55

24-DEC-2012

