



No.:

Date: 24-DEC-2012

Customer :

TECHNICAL PROPOSAL

Single-phase induction motor - Squirrel cage rotor

Product line : Single-Phase : ODP (IP22)

Catalog Number : 00518OS1C184T

List Price : \$725

Notes:

Performed by:

Checked:



No.:

Date: 24-DEC-2012

DATA SHEET

Single-phase induction motor - Squirrel cage rotor

Customer :
Product line : Single-Phase : ODP (IP22)

Frame : 184T
Output : 5 HP
Frequency : 60 Hz
Poles : 4
Full load speed : 1745
Slip : 3.06 %
Voltage : 208-230 V
Rated current : 22.0 A
Locked rotor current : 136 A
Locked rotor current (I_L/I_n) : 6.2
No-load current : 7.40 A
Full load torque : 14.8 lb.ft
Locked rotor torque : 240 %
Breakdown torque : 200 %
Design : ---
Insulation class : F
Temperature rise : 80 K
Locked rotor time : 6 s (hot)
Service factor : 1.25
Duty cycle : S1
Ambient temperature : -20°C - +40°C
Altitude : 1000
Degree of Protection : IP22
Approximate weight : 109 lb
Moment of inertia : 0.36544 sq.ft.lb
Noise level : 60 dB(A)

	D.E.	N.D.E.	Load	Power factor	Efficiency (%)
Bearings	6206 ZZ	6205 ZZ	100%	0.90	82.5
Regreasing interval	---	---	75%	0.88	82.5
Grease amount	---	---	50%	0.82	81.0

Notes:

Performed by

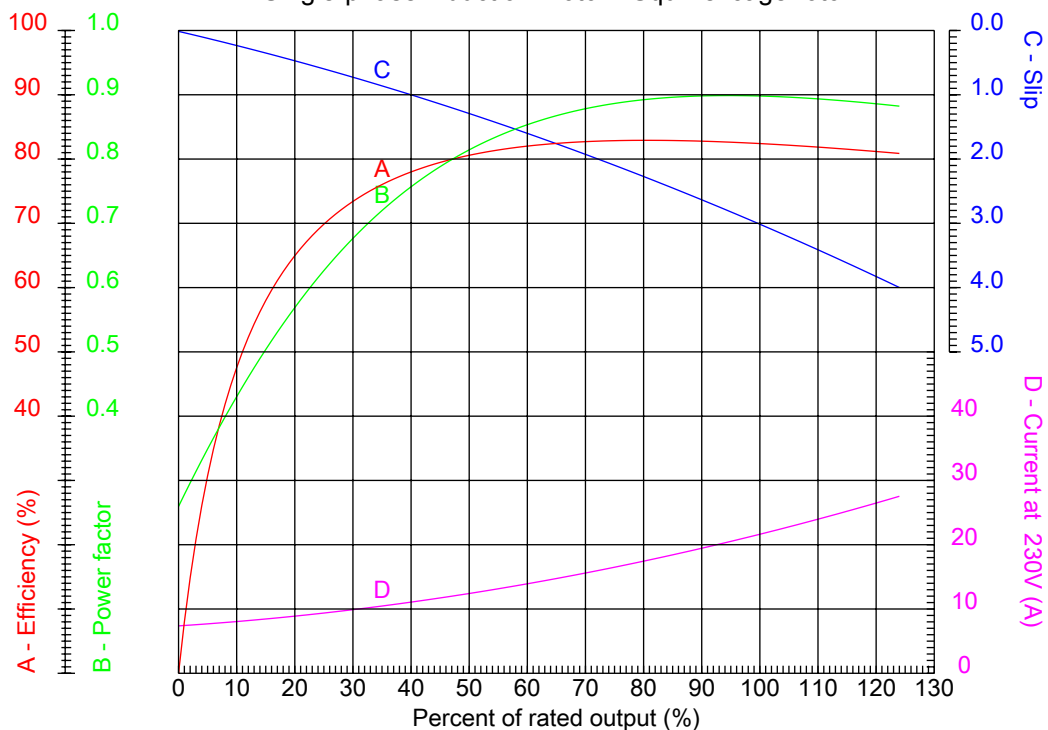
Checked



No.:

Date: 24-DEC-2012

PERFORMANCE CURVES RELATED TO RATED OUTPUT Single-phase induction motor - Squirrel cage rotor



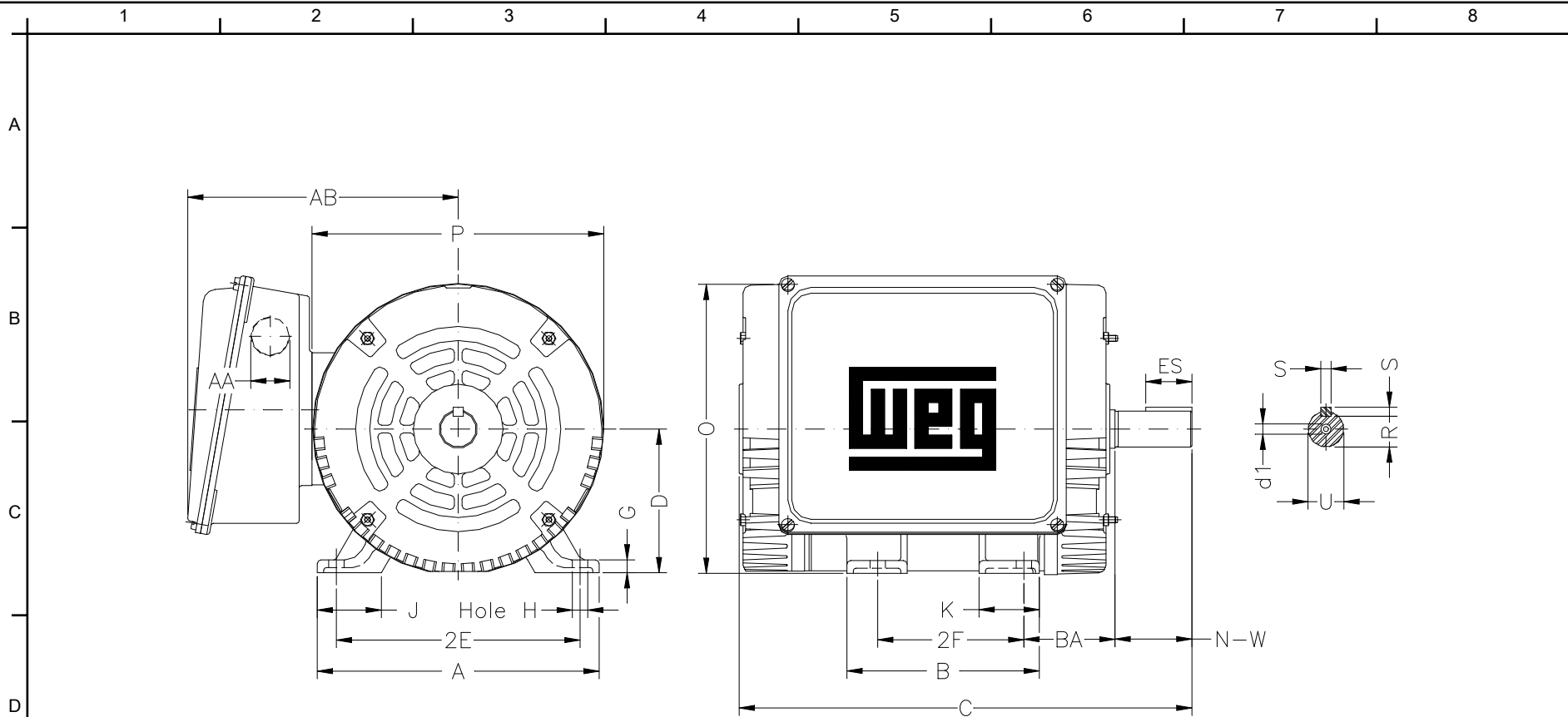
Customer :
Product line : Single-Phase : ODP (IP22)

Frame	: 184T	Locked rotor current (I _l /I _n)	: 6.2
Output	: 5 HP	Duty cycle	: S1
Frequency	: 60 Hz	Service factor	: 1.25
Full load speed	: 1745	Design	: ---
Voltage	: 208-230 V	Locked rotor torque	: 240 %
Rated current	: 22.0 A	Breakdown torque	: 200 %
Insulation class	: F		

Notes:

Performed by

Checked



Notes:

Performed by:

Checked:

Customer:

Single-Phase : ODP (IP22)

Single-phase induction motor
Frame 184T - IP22

24-DEC-2012



2E 7.500	2F 5.500	H 0.405	BA 2.750	A 8.661
B 6.889	C 14.870	D 4.500	G 0.500	J 1.968
K 1.850	O 8.930	P 8.858	ES 1.968	S 0.250
N-W 2.750	U 1.125	R 0.984	AB 8.346	AA NPT 3/4
d1 A4	Flange FC-184	AJ 7.250	AK 8.500	BD 8.875
BF UNC 1/2"x13	BB 0.250	BC 0.125	AH	