



No.:

Date: 24-DEC-2012

Customer :

TECHNICAL PROPOSAL

Single-phase induction motor - Squirrel cage rotor

Product line : Single-Phase : ODP (IP22)

Catalog Number : 00736OS1C184T

List Price : \$961

Notes:

Performed by:

Checked:



No.:

Date: 24-DEC-2012

## DATA SHEET

### Single-phase induction motor - Squirrel cage rotor

Customer :  
Product line : Single-Phase : ODP (IP22)

Frame : 184T  
Output : 7.5 HP  
Frequency : 60 Hz  
Poles : 2  
Full load speed : 3510  
Slip : 2.50 %  
Voltage : 208-230 V  
Rated current : 30.0 A  
Locked rotor current : 216 A  
Locked rotor current (I<sub>L</sub>/I<sub>n</sub>) : 7.2  
No-load current : 7.10 A  
Full load torque : 11.1 lb.ft  
Locked rotor torque : 240 %  
Breakdown torque : 230 %  
Design : ---  
Insulation class : F  
Temperature rise : 80 K  
Locked rotor time : 6 s (hot)  
Service factor : 1.25  
Duty cycle : S1  
Ambient temperature : -20°C - +40°C  
Altitude : 1000  
Degree of Protection : IP22  
Approximate weight : 112 lb  
Moment of inertia : 0.29425 sq.ft.lb  
Noise level : 60 dB(A)

	D.E.	N.D.E.	Load	Power factor	Efficiency (%)
Bearings	6206 ZZ	6205 ZZ	100%	0.95	85.0
Regreasing interval	---	---	75%	0.93	84.0
Grease amount	---	---	50%	0.90	82.0

Notes:

Performed by

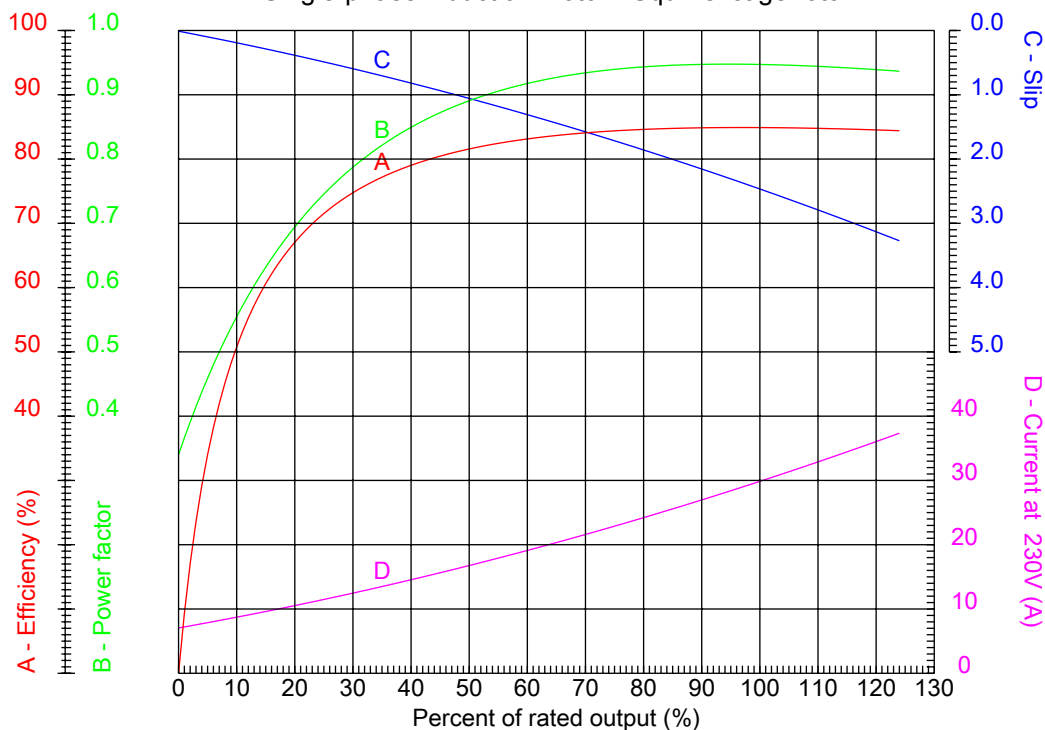
Checked



No.:

Date: 24-DEC-2012

### PERFORMANCE CURVES RELATED TO RATED OUTPUT Single-phase induction motor - Squirrel cage rotor



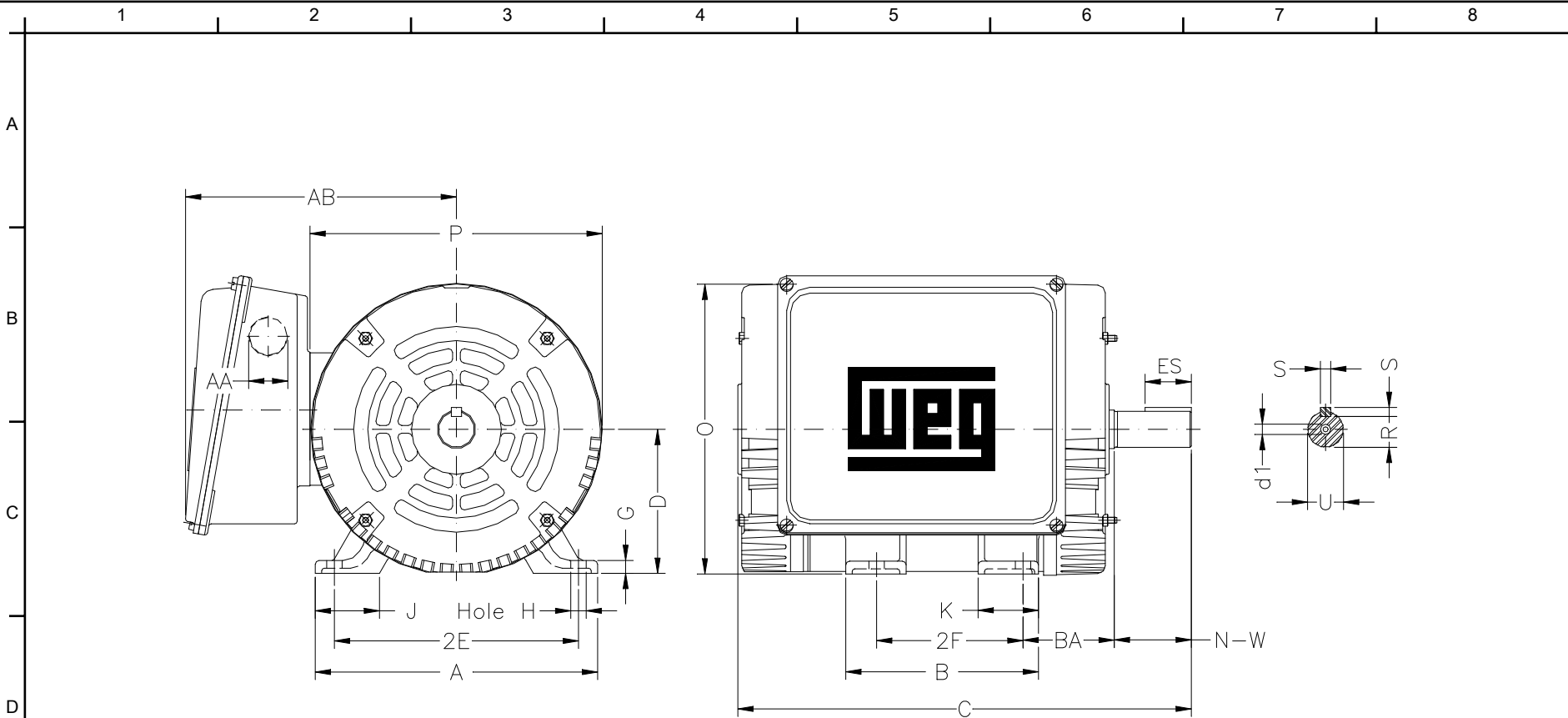
Customer :  
Product line : Single-Phase : ODP (IP22)

Frame : 184T	Locked rotor current (I <sub>l</sub> /I <sub>n</sub> ) : 7.2
Output : 7.5 HP	Duty cycle : S1
Frequency : 60 Hz	Service factor : 1.25
Full load speed : 3510	Design : ---
Voltage : 208-230 V	Locked rotor torque : 240 %
Rated current : 30.0 A	Breakdown torque : 230 %
Insulation class : F	

Notes:

Performed by

Checked



Notes:

Performed by:

Checked:

Customer:

Single-Phase : ODP (IP22)

Single-phase induction motor  
Frame 184T - IP22

24-DEC-2012



2E	2F	H	BA	A
7.500	5.500	0.406	2.750	8.661
B	C	D	G	J
7.165	14.870	4.500	0.472	1.968
K	O	P	ES	S
1.850	8.890	8.858	1.968	0.250
N-W	U	R	AB	AA
2.750	1.125	0.984	8.346	NPT 3/4"
d1	Flange	AJ	AK	BD
A 4	FC-184	7.250	8.500	8.875
BF	BB	BC	AH	
UNC 1/2"x13	0.250	0.125	2.625	