



No.:

Date: 24-DEC-2012

Customer :

TECHNICAL PROPOSAL

Three-phase induction motor - Squirrel cage rotor

Product line : Three-Phase: W22 IE3 IEC Tru-Metric - TEFC (IP55) Cast Iron Frame

Catalog Number : 01118ET3Y160M-W22

List Price : \$1,726

Notes:

Performed by:

Checked:



No.:

Date: 24-DEC-2012

## DATA SHEET

### Three-phase induction motor - Squirrel cage rotor

Customer :  
Product line : Three-Phase: W22 IE3 IEC Tru-Metric - TEFC (IP55) Cast Iron Frame

Frame : 160M  
Output : 15 HP  
Frequency : 60 Hz  
Poles : 4  
Full load speed : 1775  
Slip : 1.39 %  
Voltage : 460 V  
Rated current : 18.2 A  
Locked rotor current : 151 A  
Locked rotor current (I<sub>L</sub>/I<sub>n</sub>) : 8.3  
No-load current : 9.08 A  
Full load torque : 43.8 lb.ft  
Locked rotor torque : 310 %  
Breakdown torque : 380 %  
Design : N  
Insulation class : F  
Temperature rise : 80 K  
Locked rotor time : 16 s (hot)  
Service factor : 1.25  
Duty cycle : S1  
Ambient temperature : -20°C - +40°C  
Altitude : 1000  
Degree of Protection : IP55  
Approximate weight : 271 lb  
Moment of inertia : 2.3818 sq.ft.lb  
Noise level : 64 dB(A)

	D.E.	N.D.E.	Load	Power factor	Efficiency (%)
Bearings	6309 C3	6209 C3	100%	0.82	92.4
Regreasing interval	20000 h	20000 h	75%	0.75	91.7
Grease amount	13 g	9 g	50%	0.63	89.5

Notes:

Performed by

Checked

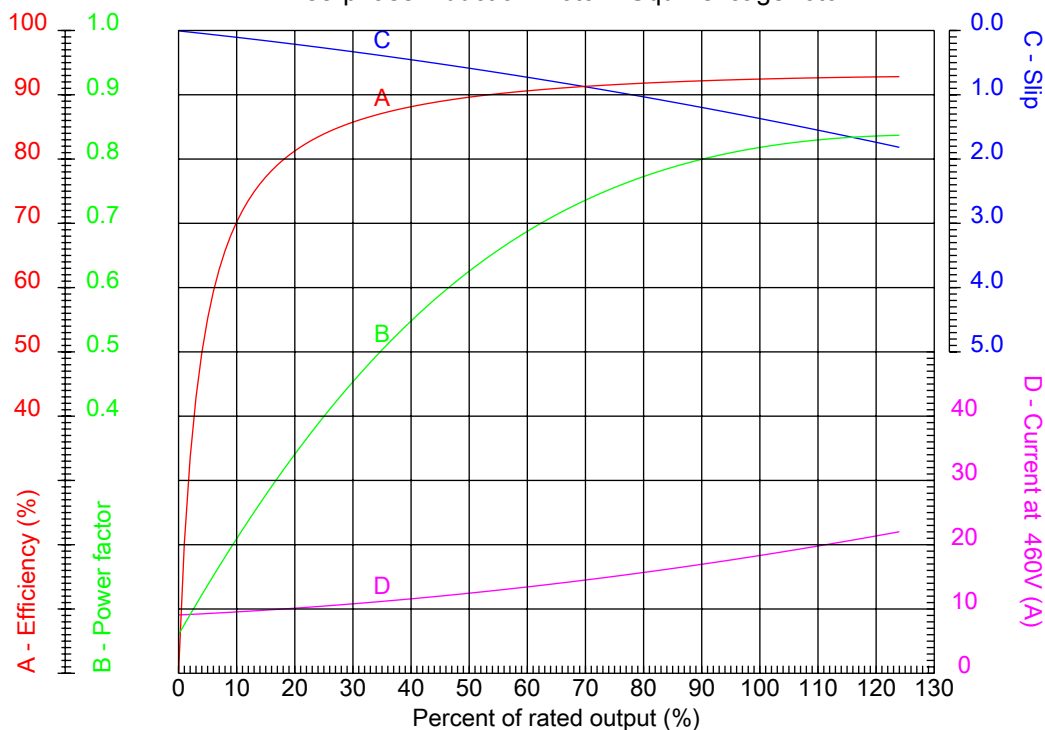


No.:

Date: 24-DEC-2012

### PERFORMANCE CURVES RELATED TO RATED OUTPUT

Three-phase induction motor - Squirrel cage rotor



Customer :  
Product line : Three-Phase: W22 IE3 IEC Tru-Metric - TEFC (IP55) Cast Iron Frame

Frame	: 160M	Locked rotor current (I <sub>l</sub> /I <sub>n</sub> )	: 8.3
Output	: 15 HP	Duty cycle	: S1
Frequency	: 60 Hz	Service factor	: 1.25
Full load speed	: 1775	Design	: N
Voltage	: 460 V	Locked rotor torque	: 310 %
Rated current	: 18.2 A	Breakdown torque	: 380 %
Insulation class	: F		

Notes:

Performed by

Checked

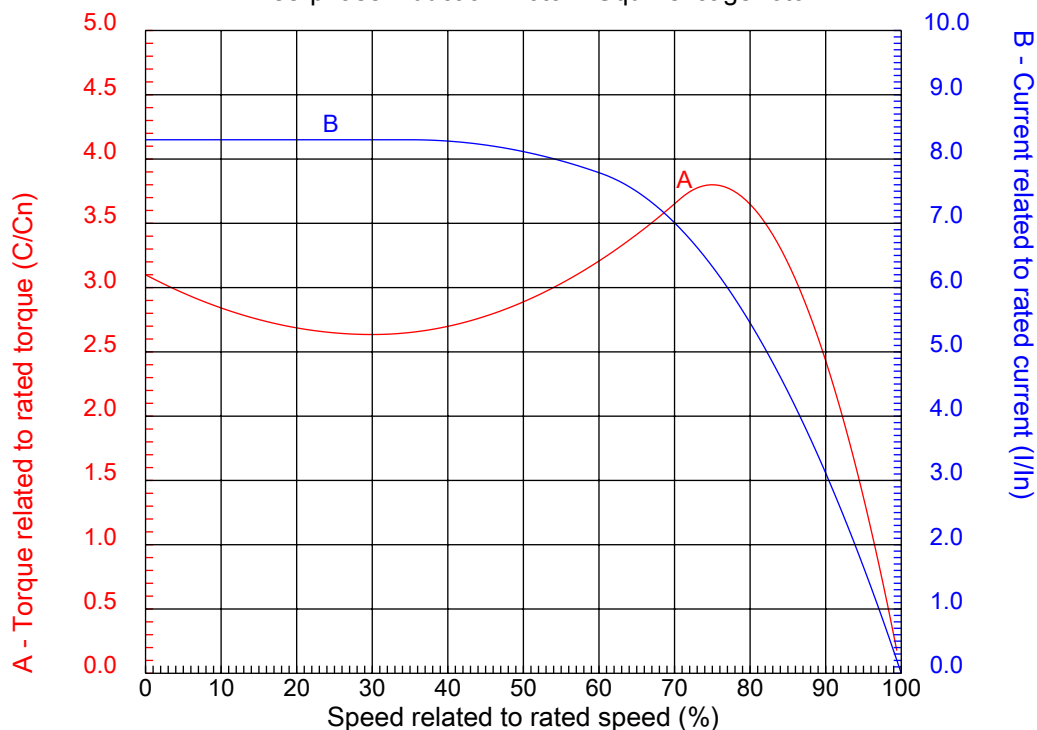


No.:

Date: 24-DEC-2012

### CHARACTERISTIC CURVES RELATED TO SPEED

Three-phase induction motor - Squirrel cage rotor



Customer :  
Product line : Three-Phase: W22 IE3 IEC Tru-Metric - TEFC (IP55) Cast Iron Frame

Frame	: 160M	Locked rotor current (I <sub>l</sub> /I <sub>n</sub> )	: 8.3
Output	: 15 HP	Duty cycle	: S1
Frequency	: 60 Hz	Service factor	: 1.25
Full load speed	: 1775	Design	: N
Voltage	: 460 V	Locked rotor torque	: 310 %
Rated current	: 18.2 A	Breakdown torque	: 380 %
Insulation class	: F		

Notes:

Performed by

Checked

1 2 3 4 5 6 7 8

A

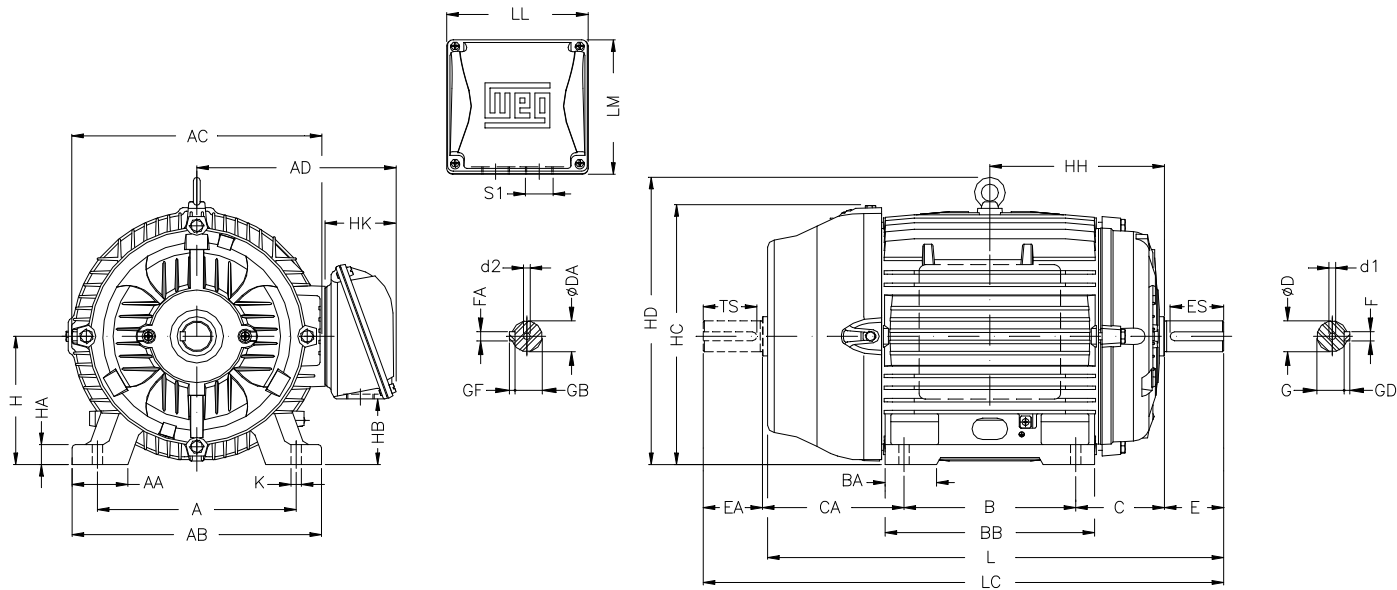
B

C

D

E

F



A	AA	AB	AC	AD
254	64	308	329	264
B	BA	BB	C	CA
210	63	254	108	174
D	E	ES	F	G
42k6	110	80	12	37
GD	DA	EA	TS	FA
8	42k6	110	80	12
GB	GF	H	HA	HC
37	8	160	22	327
HD	K	L	LC	S1
374	14.5	598	712	2XM40X1,5
d1	d2	Flange	LA	M
DM16	DM16	FF-300	18	300
N	P	T	S	Angle
250	350	5	19	45°
Holes				
4				

Notes:

Performed by:

Checked:

Customer:

Three-Phase: W22 IE3 IEC Tru-Metric - TEFC (IP55) Cast Iron Frame

Three-phase induction motor  
Frame 160M - IP55

24-DEC-2012

