



No.:

Date: 24-DEC-2012

Customer :

TECHNICAL PROPOSAL

Three-phase induction motor - Squirrel cage rotor

Product line : Three-Phase: W22 IE3 IEC Tru-Metric - TEFC (IP55) Cast Iron Frame

Catalog Number : 04512ET3Y280S/M-W22

List Price : \$11,023

Notes:

Performed by:

Checked:



No.:

Date: 24-DEC-2012

DATA SHEET

Three-phase induction motor - Squirrel cage rotor

Customer :
Product line : Three-Phase: W22 IE3 IEC Tru-Metric - TEFC (IP55) Cast Iron Frame

Frame : 280S/M
Output : 60 HP
Frequency : 60 Hz
Poles : 6
Full load speed : 1190
Slip : 0.83 %
Voltage : 460 V
Rated current : 74.7 A
Locked rotor current : 538 A
Locked rotor current (I_L/I_n) : 7.2
No-load current : 35.9 A
Full load torque : 261 lb.ft
Locked rotor torque : 260 %
Breakdown torque : 340 %
Design : N
Insulation class : F
Temperature rise : 80 K
Locked rotor time : 48 s (hot)
Service factor : 1.25
Duty cycle : S1
Ambient temperature : -20°C - +40°C
Altitude : 1000
Degree of Protection : IP55
Approximate weight : 1495 lb
Moment of inertia : 66.474 sq.ft.lb
Noise level : 69 dB(A)

	D.E.	N.D.E.	Load	Power factor	Efficiency (%)
Bearings	6316 C3	6316 C3	100%	0.80	94.5
Regreasing interval	16000 h	16000 h	75%	0.74	94.5
Grease amount	34 g	34 g	50%	0.62	93.0

Notes:

Performed by

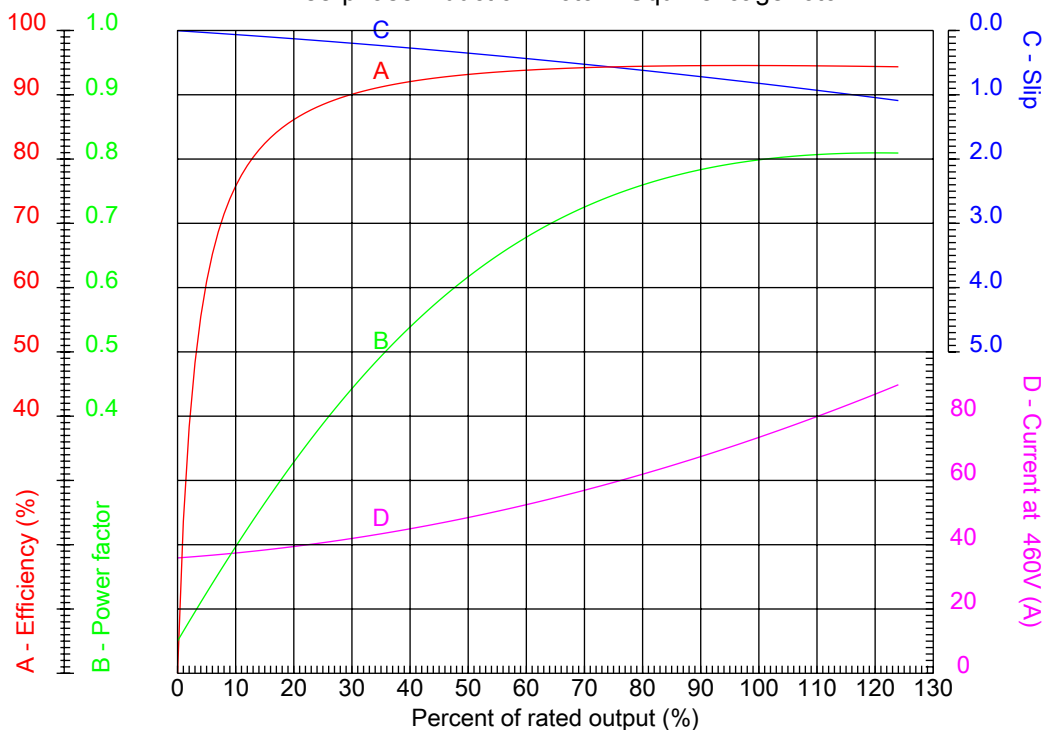
Checked



No.:

Date: 24-DEC-2012

PERFORMANCE CURVES RELATED TO RATED OUTPUT
Three-phase induction motor - Squirrel cage rotor



Customer :
Product line : Three-Phase: W22 IE3 IEC Tru-Metric - TEFC (IP55) Cast Iron Frame

Frame	: 280S/M	Locked rotor current (I _l /I _n)	: 7.2
Output	: 60 HP	Duty cycle	: S1
Frequency	: 60 Hz	Service factor	: 1.25
Full load speed	: 1190	Design	: N
Voltage	: 460 V	Locked rotor torque	: 260 %
Rated current	: 74.7 A	Breakdown torque	: 340 %
Insulation class	: F		

Notes:

Performed by

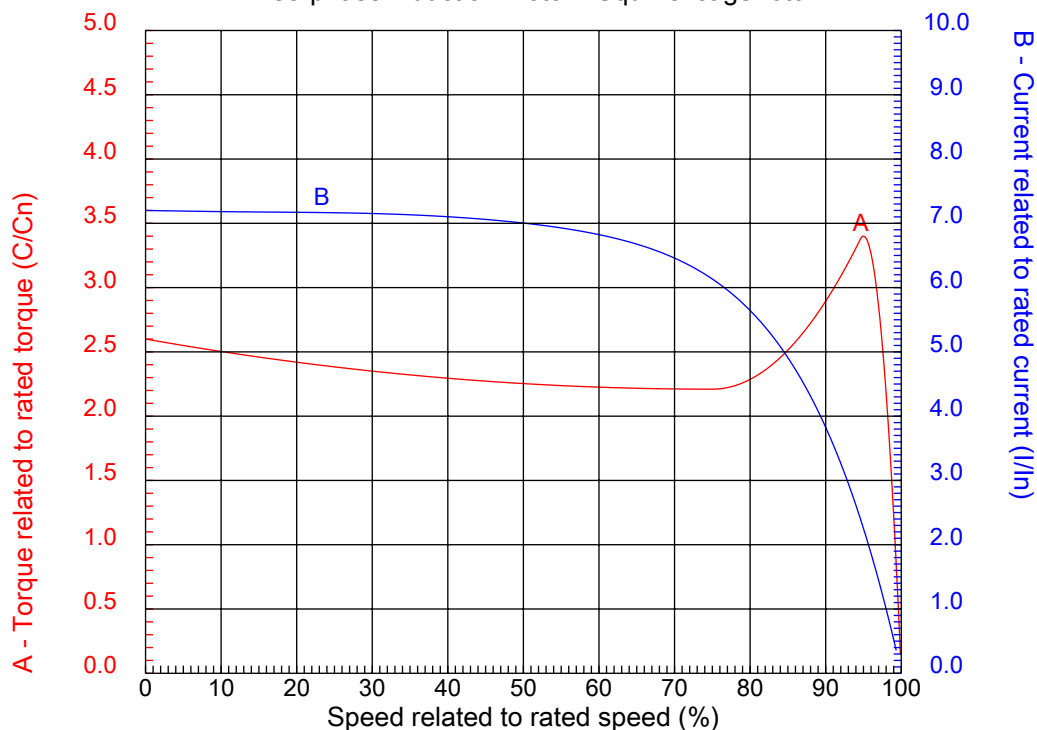
Checked



No.:

Date: 24-DEC-2012

CHARACTERISTIC CURVES RELATED TO SPEED Three-phase induction motor - Squirrel cage rotor



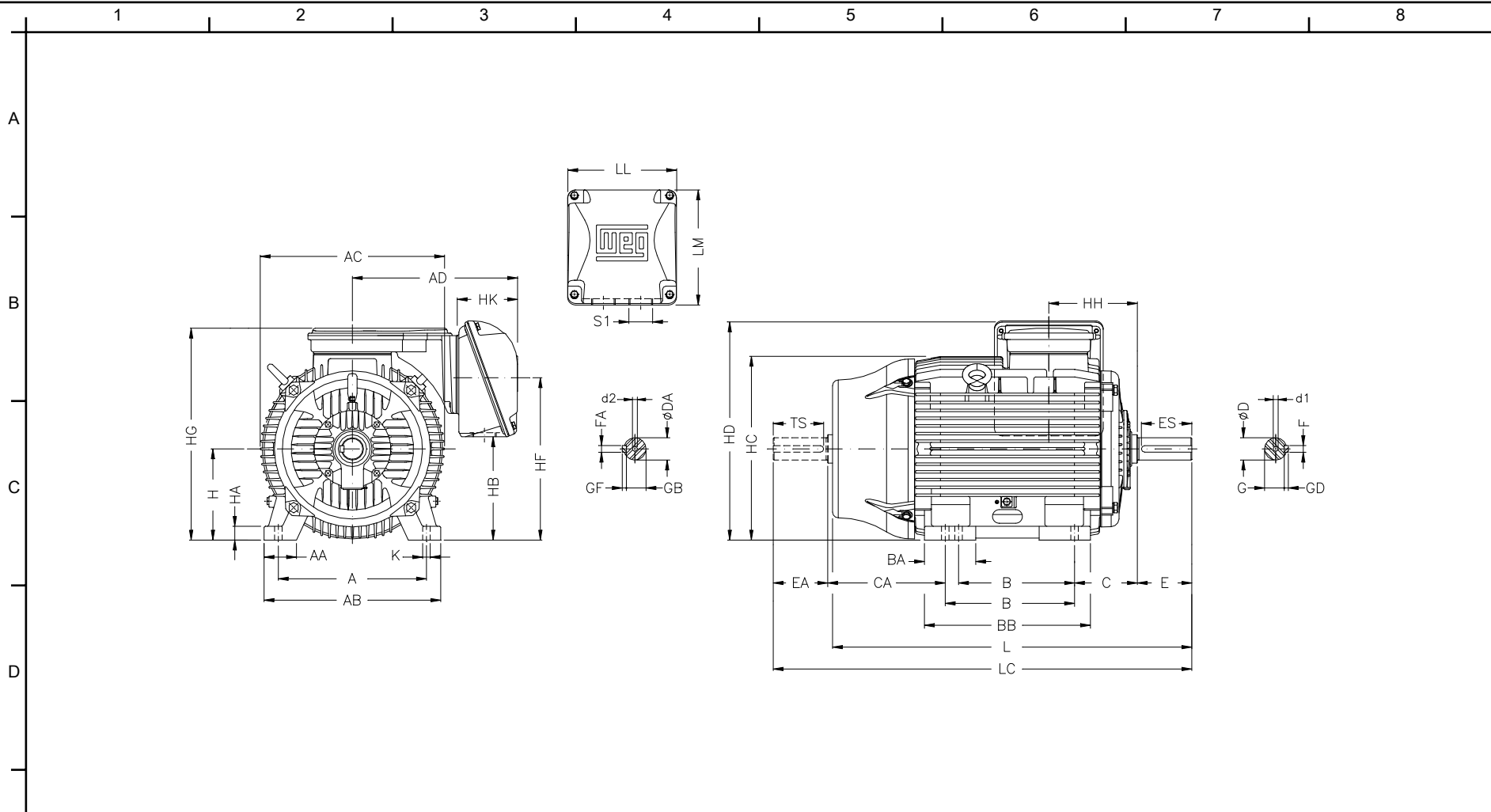
Customer :
Product line : Three-Phase: W22 IE3 IEC Tru-Metric - TEFC (IP55) Cast Iron Frame

Frame	: 280S/M	Locked rotor current (I _l /I _n)	: 7.2
Output	: 60 HP	Duty cycle	: S1
Frequency	: 60 Hz	Service factor	: 1.25
Full load speed	: 1190	Design	: N
Voltage	: 460 V	Locked rotor torque	: 260 %
Rated current	: 74.7 A	Breakdown torque	: 340 %
Insulation class	: F		

Notes:

Performed by

Checked



E	A 457	AA 100	AB 557	AC 599	AD 450	Notes:	
	B 368/419	BA 151	BB 517	C 190	CA 385/334		
	D 75m6	E 140	ES 125	F 20	G 67.5	Performed by:	
	GD 12	DA 65m6	EA 140	TS 125	FA 18	Checked:	
F	GB 58	GF 11	H 280	HA 42	HC 580	Customer:	
	HD 696	K 24	L 1071	LC 1223	S1 2XM63X1,5	Three-Phase: W22 IE3 IEC Tru-Metric - TEFC (IP55) Cast Iron Frame	
	d1 DM20	d2 DM20	Flange FF-500	LA 18	M 500	Three-phase induction motor Frame 280S/M - IP55	
	N 450	P 550	T 5	S 19	Angle 22°30'		
	Holes 8					24-DEC-2012	