



No.:

Date: 24-DEC-2012

Customer :

TECHNICAL PROPOSAL

Three-phase induction motor - Squirrel cage rotor

Product line : Three-Phase: W22 IE3 IEC Tru-Metric - TEFC (IP55) Cast Iron Frame

Catalog Number : 13218ET3Y315S/M-W22

List Price : \$19,732

Notes:

Performed by:

Checked:



No.:

Date: 24-DEC-2012

DATA SHEET

Three-phase induction motor - Squirrel cage rotor

Customer :
Product line : Three-Phase: W22 IE3 IEC Tru-Metric - TEFC (IP55) Cast Iron Frame

Frame : 315S/M
Output : 175 HP
Frequency : 60 Hz
Poles : 4
Full load speed : 1790
Slip : 0.56 %
Voltage : 460 V
Rated current : 203 A
Locked rotor current : 1600 A
Locked rotor current (I_L/I_n) : 7.9
No-load current : 77.6 A
Full load torque : 507 lb.ft
Locked rotor torque : 310 %
Breakdown torque : 330 %
Design : N
Insulation class : F
Temperature rise : 80 K
Locked rotor time : 57 s (hot)
Service factor : 1.25
Duty cycle : S1
Ambient temperature : -20°C - +40°C
Altitude : 1000
Degree of Protection : IP55
Approximate weight : 2414 lb
Moment of inertia : 69.729 sq.ft.lb
Noise level : 75 dB(A)

	D.E.	N.D.E.	Load	Power factor	Efficiency (%)
Bearings	6319 C3	6316 C3	100%	0.85	96.2
Regreasing interval	8000 h	10000 h	75%	0.81	95.4
Grease amount	45 g	34 g	50%	0.72	94.1

Notes:

Performed by

Checked

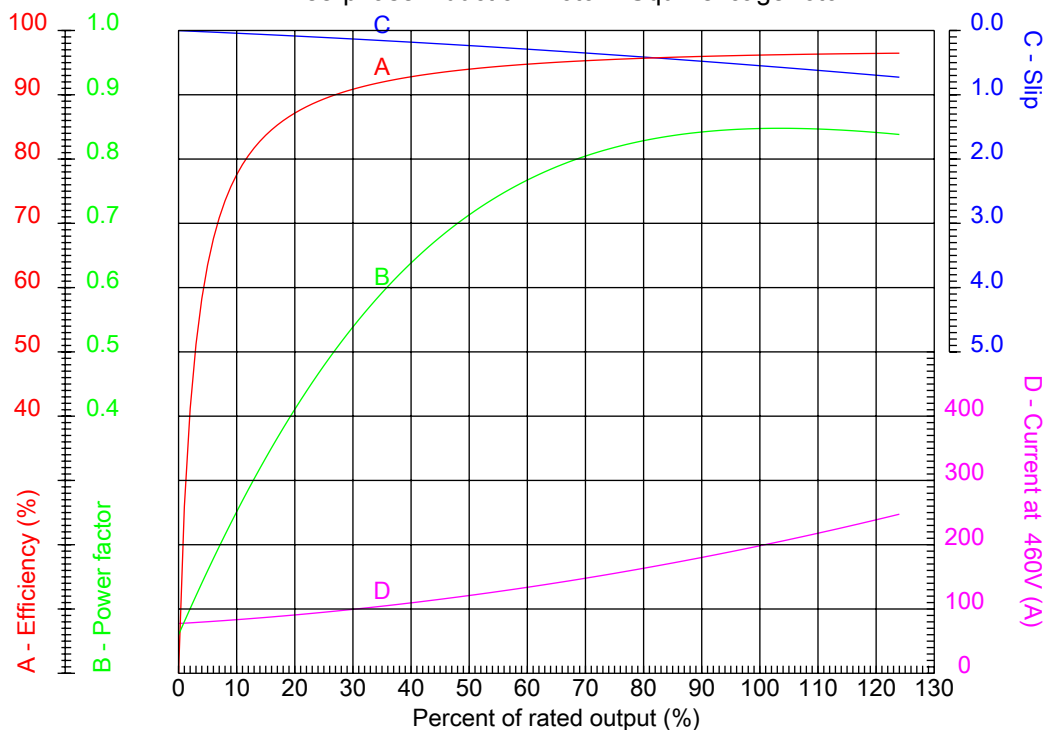


No.:

Date: 24-DEC-2012

PERFORMANCE CURVES RELATED TO RATED OUTPUT

Three-phase induction motor - Squirrel cage rotor



Customer :
Product line : Three-Phase: W22 IE3 IEC Tru-Metric - TEFC (IP55) Cast Iron Frame

Frame	: 315S/M	Locked rotor current (I _l /I _n)	: 7.9
Output	: 175 HP	Duty cycle	: S1
Frequency	: 60 Hz	Service factor	: 1.25
Full load speed	: 1790	Design	: N
Voltage	: 460 V	Locked rotor torque	: 310 %
Rated current	: 203 A	Breakdown torque	: 330 %
Insulation class	: F		

Notes:

Performed by

Checked

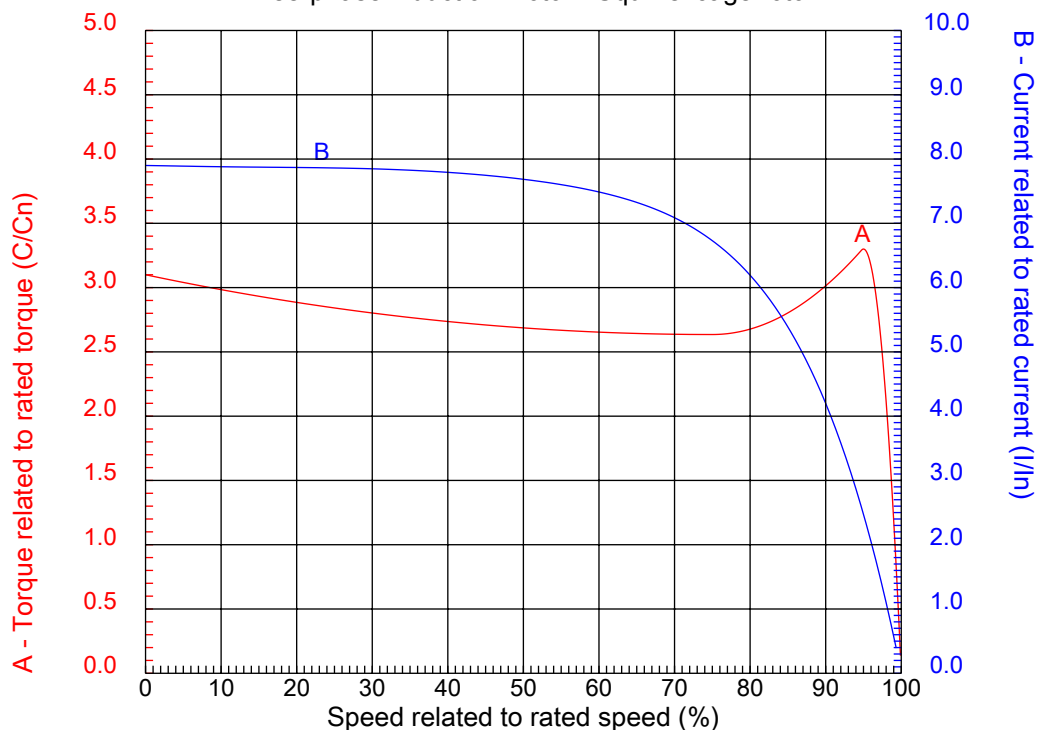


No.:

Date: 24-DEC-2012

CHARACTERISTIC CURVES RELATED TO SPEED

Three-phase induction motor - Squirrel cage rotor



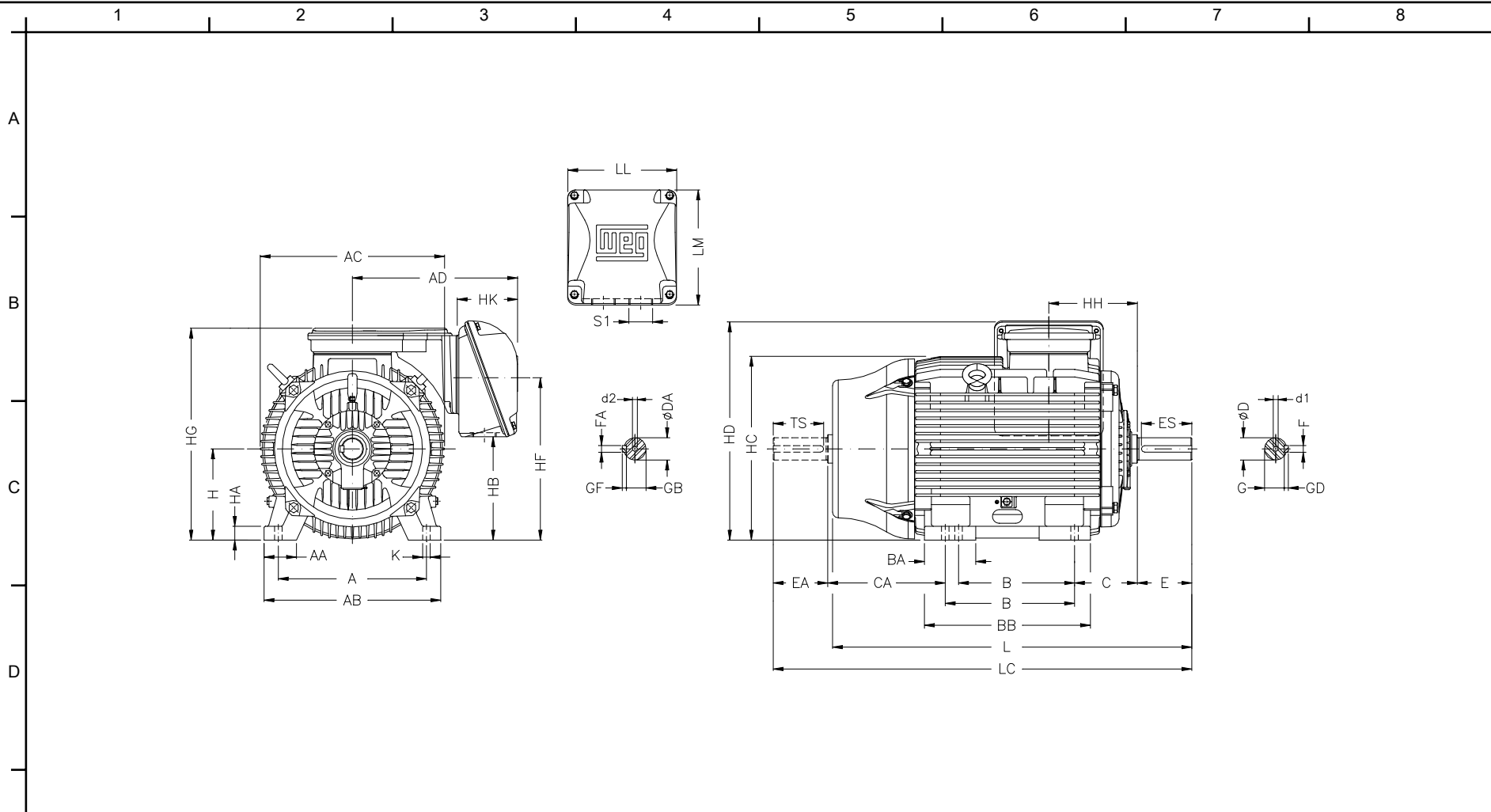
Customer :
Product line : Three-Phase: W22 IE3 IEC Tru-Metric - TEFC (IP55) Cast Iron Frame

Frame	: 315S/M	Locked rotor current (I _l /I _n)	: 7.9
Output	: 175 HP	Duty cycle	: S1
Frequency	: 60 Hz	Service factor	: 1.25
Full load speed	: 1790	Design	: N
Voltage	: 460 V	Locked rotor torque	: 310 %
Rated current	: 203 A	Breakdown torque	: 330 %
Insulation class	: F		

Notes:

Performed by

Checked



	A 508	AA 120	AB 630	AC 657	AD 525	Notes:	
E	B 406/457	BA 184	BB 621	C 216	CA 494/443		
	D 80m6	E 170	ES 160	F 22	G 71	Performed by:	
	GD 14	DA 65m6	EA 140	TS 125	FA 18	Checked:	
	GB 58	GF 11	H 315	HA 48	HC 644	Customer:	
	HD 768	K 28	L 1274	LC 1426	S1 2XM63X1,5	Three-Phase: W22 IE3 IEC Tru-Metric - TEFC (IP55) Cast Iron Frame	
F	d1 DM20	d2 DM20	Flange FF-600	LA 22	M 600	Three-phase induction motor Frame 315S/M - IP55	
	N 550	P 660	T 6	S 24	Angle 22°30"		
	Holes 8					24-DEC-2012	