



No.:

Date: 24-DEC-2012

Customer :

TECHNICAL PROPOSAL

Three-phase induction motor - Squirrel cage rotor

Product line : Three-Phase: W22 IE3 IEC Tru-Metric - TEFC (IP55) Cast Iron Frame

Catalog Number : 15036ET3Y315S/M-W22

List Price : \$26,249

Notes:

Performed by:

Checked:



No.:

Date: 24-DEC-2012

DATA SHEET

Three-phase induction motor - Squirrel cage rotor

Customer :
 Product line : Three-Phase: W22 IE3 IEC Tru-Metric - TEFC (IP55) Cast Iron Frame

Frame : 315S/M
 Output : 200 HP
 Frequency : 60 Hz
 Poles : 2
 Full load speed : 3580
 Slip : 0.56 %
 Voltage : 460 V
 Rated current : 219 A
 Locked rotor current : 1860 A
 Locked rotor current (I_L/I_n) : 8.5
 No-load current : 70.0 A
 Full load torque : 289 lb.ft
 Locked rotor torque : 260 %
 Breakdown torque : 300 %
 Design : N
 Insulation class : F
 Temperature rise : 80 K
 Locked rotor time : 46 s (hot)
 Service factor : 1.25
 Duty cycle : S1
 Ambient temperature : -20°C - +40°C
 Altitude : 1000
 Degree of Protection : IP55
 Approximate weight : 2401 lb
 Moment of inertia : 0.00000 sq.ft.lb
 Noise level : 81 dB(A)

	D.E.	N.D.E.	Load	Power factor	Efficiency (%)
Bearings	6314 C3	6314 C3	100%	0.90	95.4
Regreasing interval	4000 h	4000 h	75%	0.87	95.4
Grease amount	27 g	27 g	50%	0.79	93.6

Notes:

Performed by

Checked

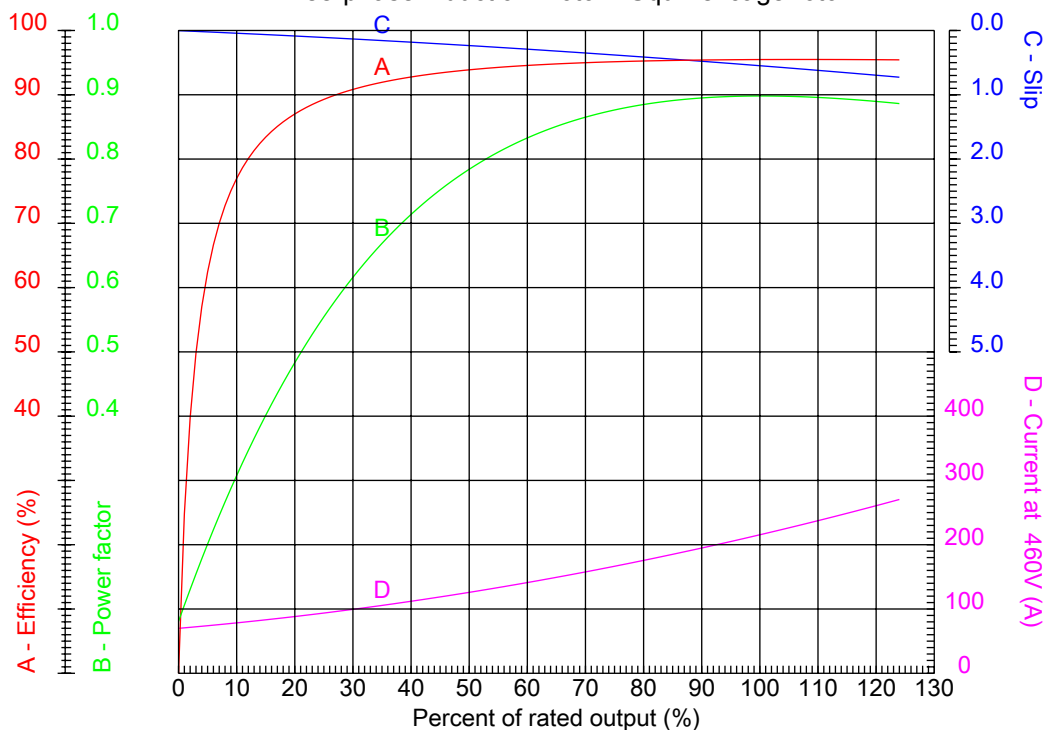


No.:

Date: 24-DEC-2012

PERFORMANCE CURVES RELATED TO RATED OUTPUT

Three-phase induction motor - Squirrel cage rotor



Customer :
Product line : Three-Phase: W22 IE3 IEC Tru-Metric - TEFC (IP55) Cast Iron Frame

Frame : 315S/M	Locked rotor current (I _l /I _n) : 8.5
Output : 200 HP	Duty cycle : S1
Frequency : 60 Hz	Service factor : 1.25
Full load speed : 3580	Design : N
Voltage : 460 V	Locked rotor torque : 260 %
Rated current : 219 A	Breakdown torque : 300 %
Insulation class : F	

Notes:

Performed by

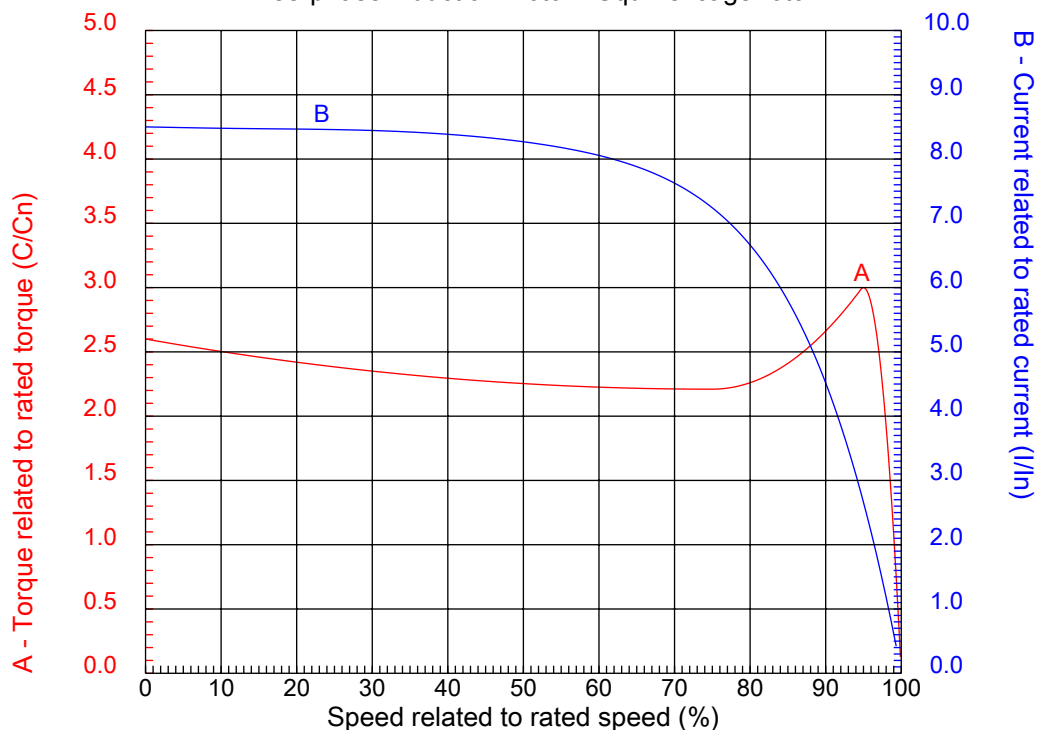
Checked



No.:

Date: 24-DEC-2012

CHARACTERISTIC CURVES RELATED TO SPEED Three-phase induction motor - Squirrel cage rotor



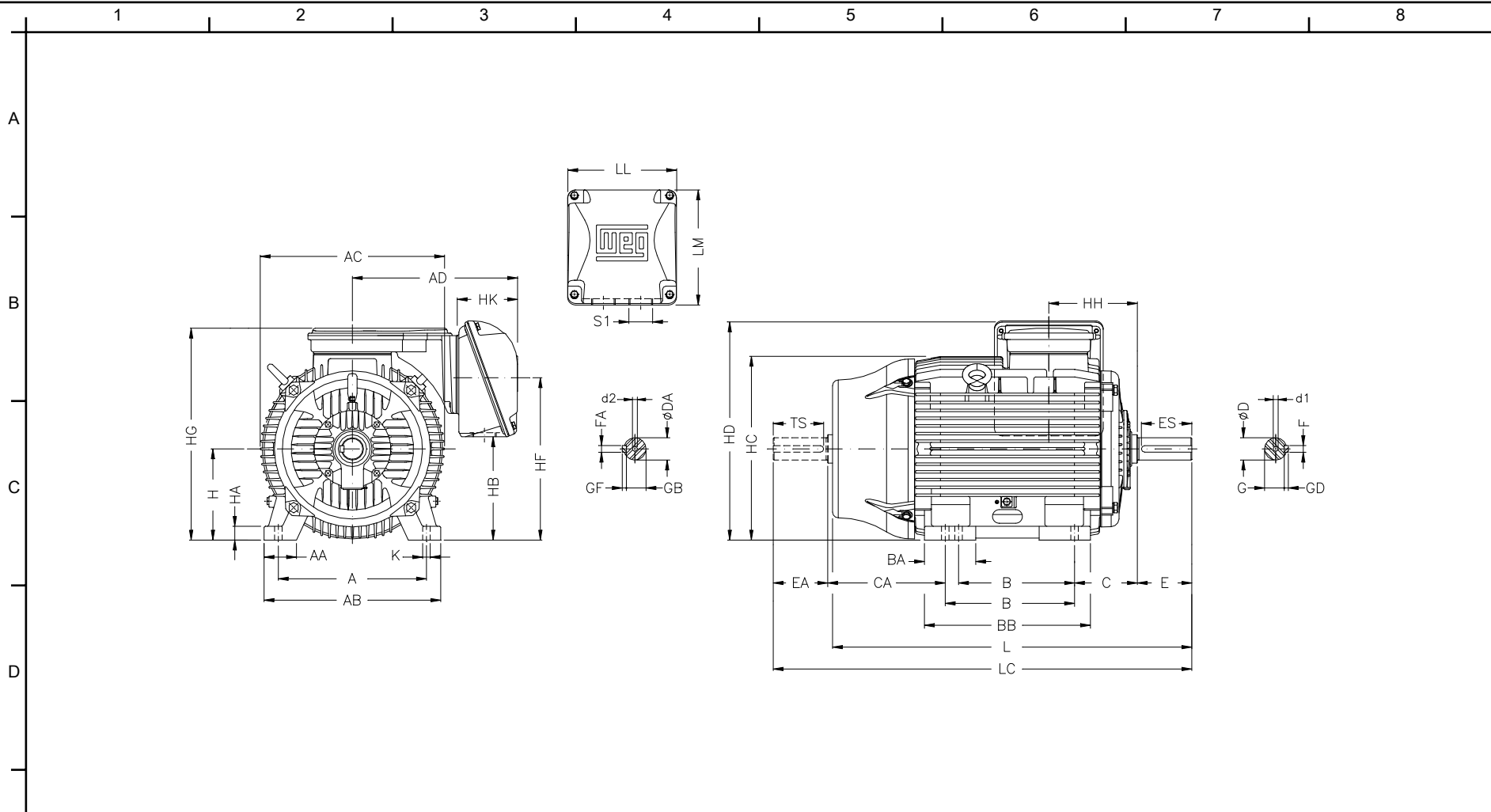
Customer :
Product line : Three-Phase: W22 IE3 IEC Tru-Metric - TEFC (IP55) Cast Iron Frame

Frame	: 315S/M	Locked rotor current (I _l /I _n)	: 8.5
Output	: 200 HP	Duty cycle	: S1
Frequency	: 60 Hz	Service factor	: 1.25
Full load speed	: 3580	Design	: N
Voltage	: 460 V	Locked rotor torque	: 260 %
Rated current	: 219 A	Breakdown torque	: 300 %
Insulation class	: F		

Notes:

Performed by

Checked



E	A 508	AA 120	AB 630	AC 657	AD 525	Notes:	
	B 406/457	BA 184	BB 621	C 216	CA 494/443		
F	D 65m6	E 140	ES 125	F 18	G 58	Performed by:	
	GD 11	DA 60m6	EA 140	TS 125	FA 18	Checked:	
F	GB 53	GF 11	H 315	HA 48	HC 644	Customer:	
	HD 768	K 28	L 1244	LC 1392	S1 2XM63X1,5	Three-Phase: W22 IE3 IEC Tru-Metric - TEFC (IP55) Cast Iron Frame	
F	d1 DM20	d2 DM20	Flange FF-600	LA 22	M 600	Three-phase induction motor Frame 315S/M - IP55	
	N 550	P 660	T 6	S 24	Angle 22°30"		
	Holes 8					24-DEC-2012	