



No.:

Date: 24-DEC-2012

Customer :

TECHNICAL PROPOSAL

Three-phase induction motor - Squirrel cage rotor

Product line : Three-Phase : IEC Tru-Metric - TEFC (IP55) - Aluminum Frame

Catalog Number : .1818EP3EAL63

List Price : \$267

Notes:

Performed by:

Checked:



No.:

Date: 24-DEC-2012

DATA SHEET

Three-phase induction motor - Squirrel cage rotor

Customer :
Product line : Three-Phase : IEC Tru-Metric - TEFC (IP55) - Aluminum Frame

Frame : 63
Output : 0.25 HP
Frequency : 60 Hz
Poles : 4
Full load speed : 1710
Slip : 5.00 %
Voltage : 230/460 V
Rated current : 1.02/0.512 A
Locked rotor current : 4.71/2.36 A
Locked rotor current (I_L/I_n) : 4.6
No-load current : 0.800/0.400 A
Full load torque : 0.757 lb.ft
Locked rotor torque : 280 %
Breakdown torque : 290 %
Design : N
Insulation class : F
Temperature rise : 80 K
Locked rotor time : 19 s (hot)
Service factor : 1.15
Duty cycle : S1
Ambient temperature : -20°C - +40°C
Altitude : 1000
Degree of Protection : IP55
Approximate weight : 14 lb
Moment of inertia : 0.01329 sq.ft.lb
Noise level : 48 dB(A)

	D.E.	N.D.E.	Load	Power factor	Efficiency (%)
Bearings	6201 ZZ	6201 ZZ	100%	0.64	69.0
Regreasing interval	---	---	75%	0.54	67.0
Grease amount	---	---	50%	0.42	63.0

Notes:

Performed by

Checked

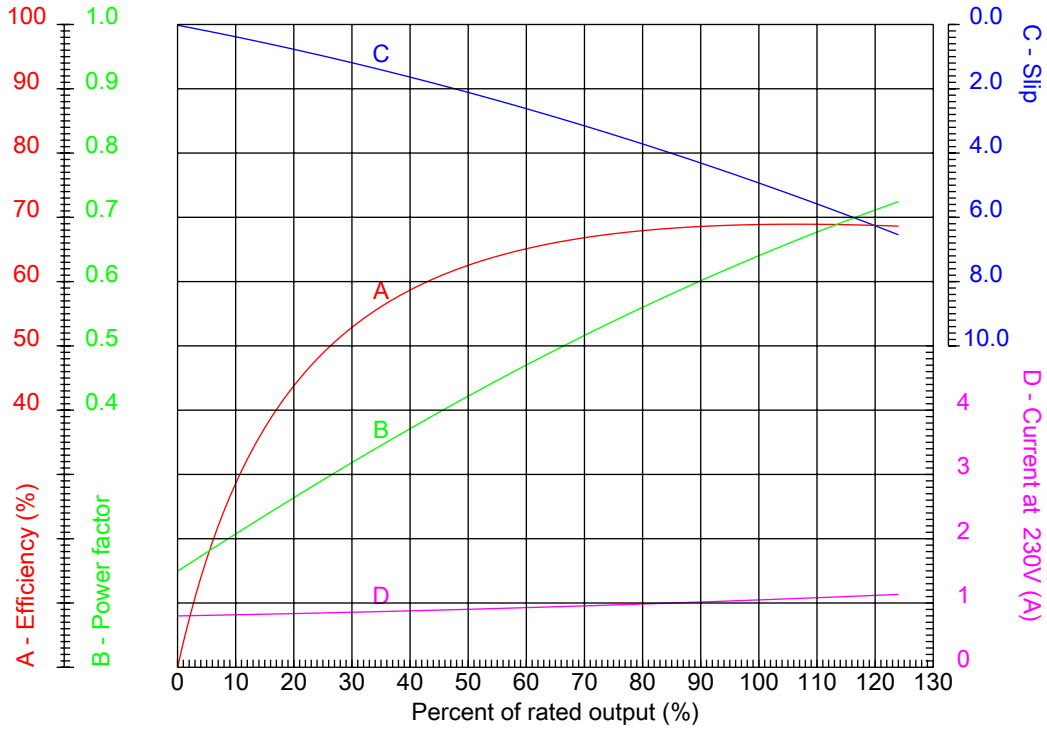


No.:

Date: 24-DEC-2012

PERFORMANCE CURVES RELATED TO RATED OUTPUT

Three-phase induction motor - Squirrel cage rotor



Customer :
Product line : Three-Phase : IEC Tru-Metric - TEFC (IP55) - Aluminum Frame

Frame : 63	Locked rotor current (I _L /I _n) : 4.6
Output : 0.25 HP	Duty cycle : S1
Frequency : 60 Hz	Service factor : 1.15
Full load speed : 1710	Design : N
Voltage : 230/460 V	Locked rotor torque : 280 %
Rated current : 1.02/0.512 A	Breakdown torque : 290 %
Insulation class : F	

Notes:

Performed by

Checked

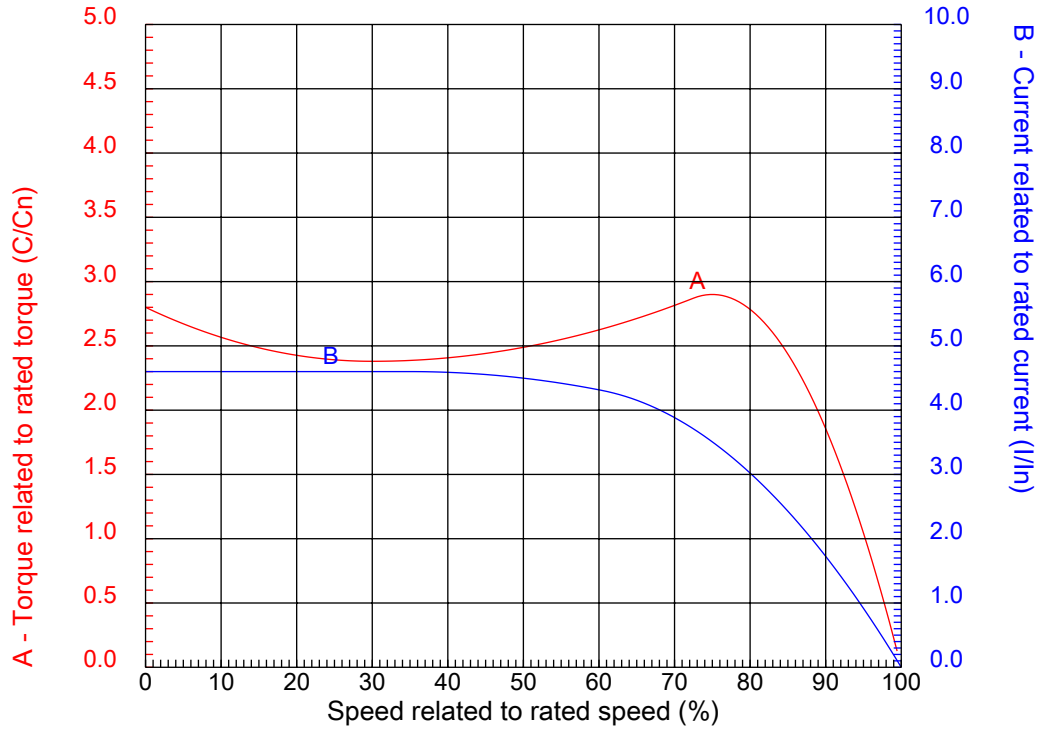


No.:

Date: 24-DEC-2012

CHARACTERISTIC CURVES RELATED TO SPEED

Three-phase induction motor - Squirrel cage rotor



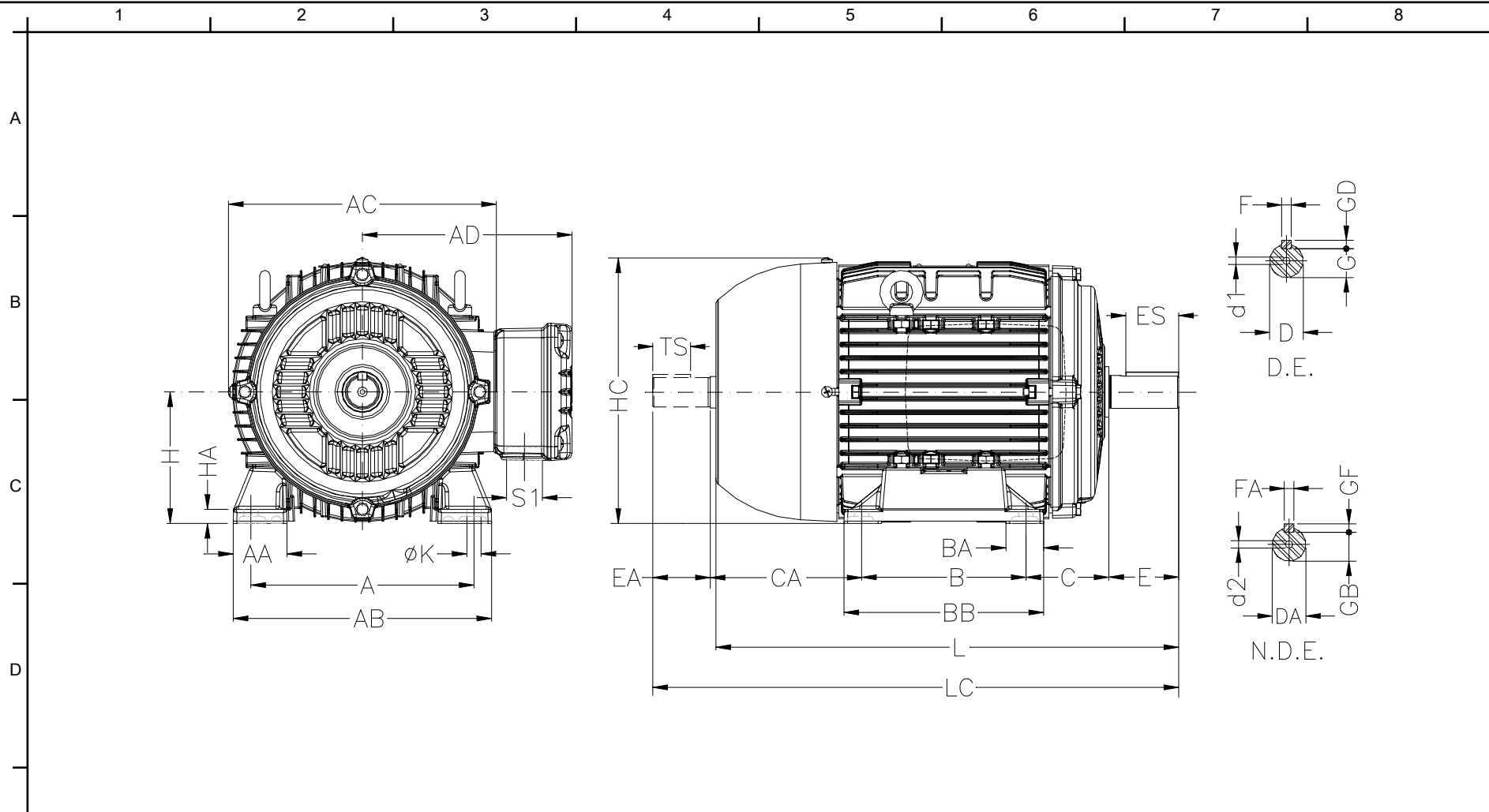
Customer :
Product line : Three-Phase : IEC Tru-Metric - TEFC (IP55) - Aluminum Frame


Frame : 63	Locked rotor current (I _l /I _n) : 4.6
Output : 0.25 HP	Duty cycle : S1
Frequency : 60 Hz	Service factor : 1.15
Full load speed : 1710	Design : N
Voltage : 230/460 V	Locked rotor torque : 280 %
Rated current : 1.02/0.512 A	Breakdown torque : 290 %
Insulation class : F	

Notes:

Performed by

Checked



E	A	AA	AB	AC	AD	Notes:
	100	19	116	125	119	
E	B	BA	BB	C	CA	Performed by:
	80	23	95	40	78	
E	D	E	ES	F	G	Checked:
	11j6	23	14	4	8.5	
E	GD	DA	EA	TS	FA	Customer:
	4	9j6	20	12	3	
E	GB	GF	H	HA	HC	Three-Phase : IEC Tru-Metric - TEFC (IP55) - Aluminum Frame
	7.2	3	63	6	125	
F	HD	K	L	LC	S1	Three-phase induction motor
	176	7	216	241	NPT 1/2"	
F	d1	d2	Flange	LA	M	Frame 63 - IP55
	EM4	EM3	FF-115	9	115	
F	N	P	T	S	Angle	24-DEC-2012
	95	140	3	10	45°	
	Holes					
	4					