



No.:

Date: 24-DEC-2012

Customer :

TECHNICAL PROPOSAL

Three-phase induction motor - Squirrel cage rotor

Product line : Three-Phase : IEC Tru-Metric - TEFC (IP55) - Aluminum Frame

Catalog Number : .7518EP3WAL80

List Price : \$339

Notes:

Performed by:

Checked:



No.:

Date: 24-DEC-2012

## DATA SHEET

### Three-phase induction motor - Squirrel cage rotor

Customer :  
Product line : Three-Phase : IEC Tru-Metric - TEFC (IP55) - Aluminum Frame

Frame : 80  
Output : 1 HP  
Frequency : 60 Hz  
Poles : 4  
Full load speed : 1730  
Slip : 3.89 %  
Voltage : 460 V  
Rated current : 1.41 A  
Locked rotor current : 10.4 A  
Locked rotor current (I<sub>L</sub>/I<sub>n</sub>) : 7.4  
No-load current : 0.700 A  
Full load torque : 2.99 lb.ft  
Locked rotor torque : 310 %  
Breakdown torque : 320 %  
Design : N  
Insulation class : F  
Temperature rise : 80 K  
Locked rotor time : 8 s (hot)  
Service factor : 1.15  
Duty cycle : S1  
Ambient temperature : -20°C - +40°C  
Altitude : 1000  
Degree of Protection : IP55  
Approximate weight : 35 lb  
Moment of inertia : 0.09017 sq.ft.lb  
Noise level : 48 dB(A)

	D.E.	N.D.E.	Load	Power factor	Efficiency (%)
Bearings	6204 ZZ	6203 ZZ	100%	0.81	82.5
Regreasing interval	---	---	75%	0.74	82.5
Grease amount	---	---	50%	0.61	80.0

Notes:

Performed by

Checked

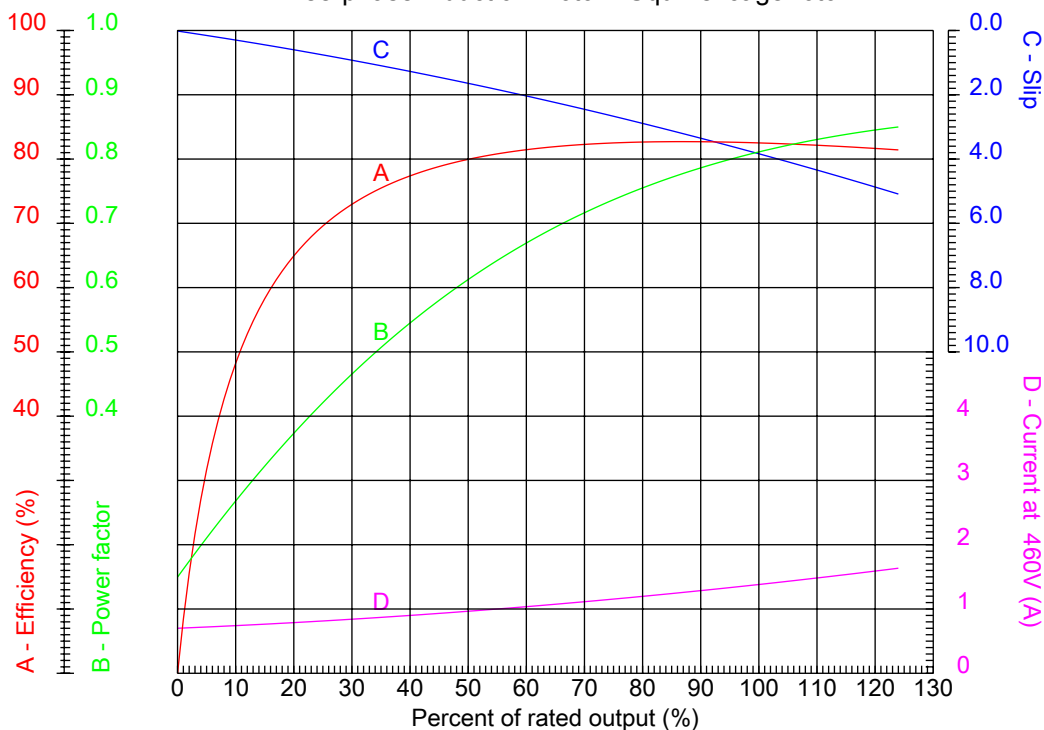


No.:

Date: 24-DEC-2012

### PERFORMANCE CURVES RELATED TO RATED OUTPUT

Three-phase induction motor - Squirrel cage rotor



Customer :  
Product line : Three-Phase : IEC Tru-Metric - TEFC (IP55) - Aluminum Frame

Frame : 80	Locked rotor current (I <sub>l</sub> /I <sub>n</sub> ) : 7.4
Output : 1 HP	Duty cycle : S1
Frequency : 60 Hz	Service factor : 1.15
Full load speed : 1730	Design : N
Voltage : 460 V	Locked rotor torque : 310 %
Rated current : 1.41 A	Breakdown torque : 320 %
Insulation class : F	

Notes:

Performed by

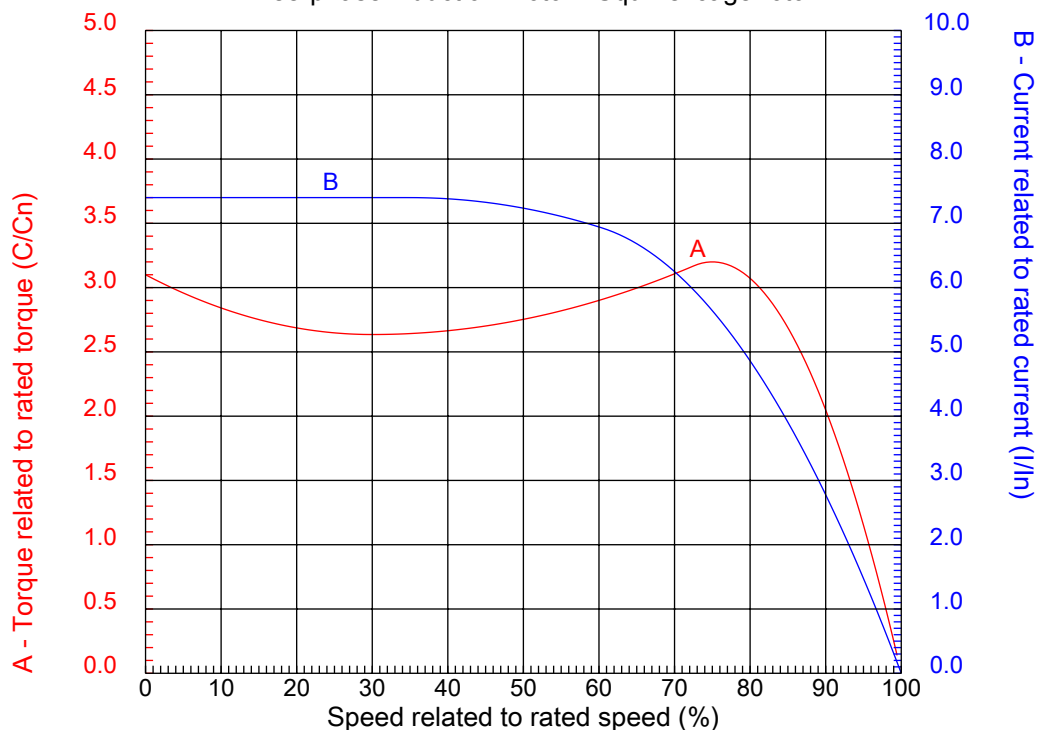
Checked



No.:

Date: 24-DEC-2012

### CHARACTERISTIC CURVES RELATED TO SPEED Three-phase induction motor - Squirrel cage rotor



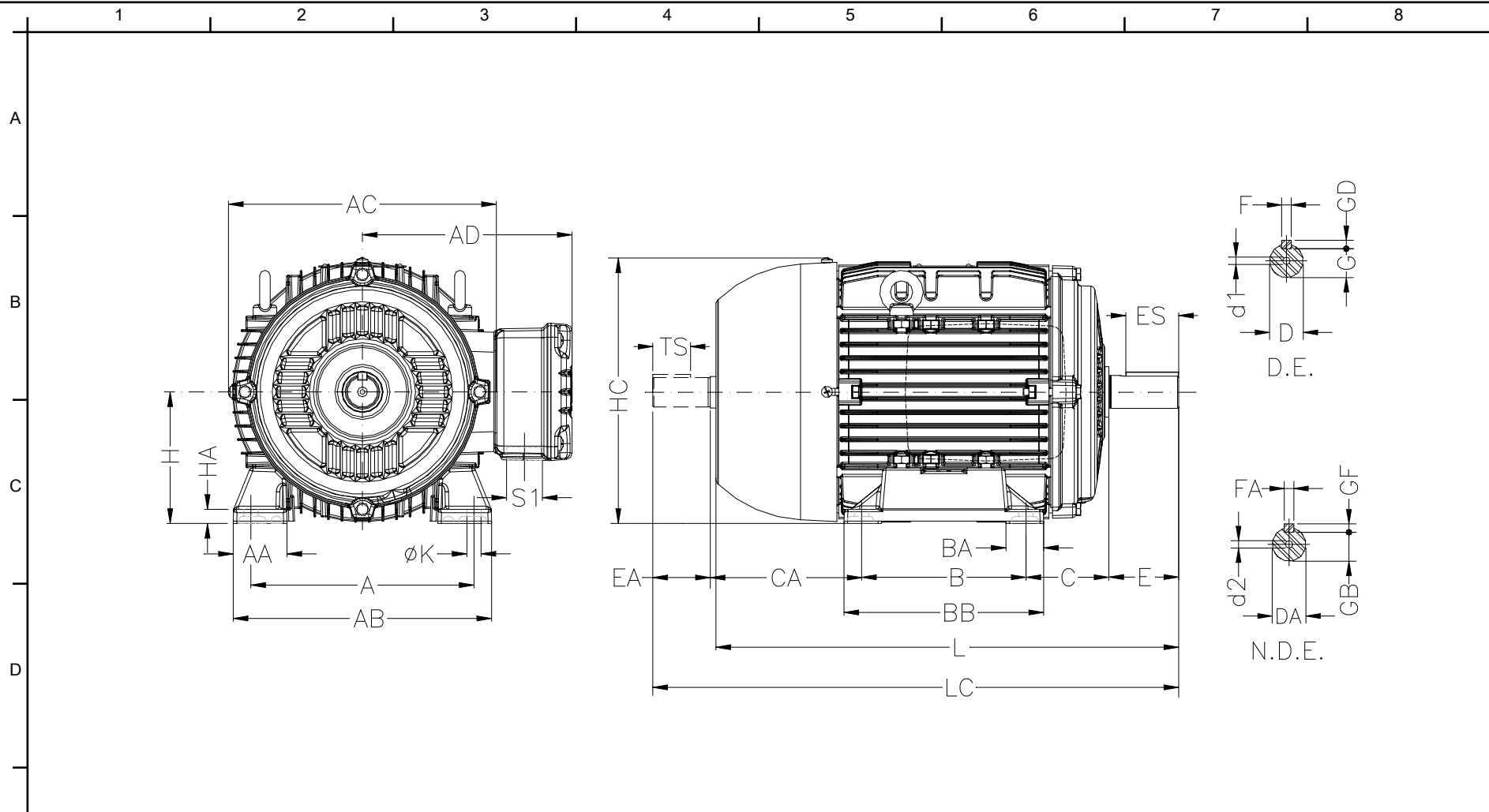
Customer :  
Product line : Three-Phase : IEC Tru-Metric - TEFC (IP55) - Aluminum Frame


Frame	: 80	Locked rotor current (I <sub>l</sub> /I <sub>n</sub> )	: 7.4
Output	: 1 HP	Duty cycle	: S1
Frequency	: 60 Hz	Service factor	: 1.15
Full load speed	: 1730	Design	: N
Voltage	: 460 V	Locked rotor torque	: 310 %
Rated current	: 1.41 A	Breakdown torque	: 320 %
Insulation class	: F		

Notes:

Performed by

Checked



E	A	AA	AB	AC	AD	Notes:
	125	32	155	159	136	
F	B	BA	BB	C	CA	Performed by:
	100	28	124	50	93	
F	D	E	ES	F	G	Checked:
	19j6	40	28	6	15.5	
F	GD	DA	EA	TS	FA	Customer:
	6	14j6	30	18	5	
F	GB	GF	H	HA	HC	Three-Phase : IEC Tru-Metric - TEFC (IP55) - Aluminum Frame
	11	5	80	8	157	
F	HD	K	L	LC	S1	Three-phase induction motor
	210	10	325	362	NPT 3/4"	
F	d1	d2	Flange	LA	M	Frame 80 - IP55
	DM6	DM4	FF-165	10	165	
F	N	P	T	S	Angle	24-DEC-2012
	130	200	3.5	12	45°	
F	Holes					
	4					