



No.:

Date: 31-DEC-2012

Customer :

TECHNICAL PROPOSAL

Three-phase induction motor - Squirrel cage rotor

Product line : Cooling Tower Motors : NEMA Premium

Catalog Number : 00152ET3PCT182T

List Price : \$903

Notes:

Performed by:

Checked:



No.:

Date: 31-DEC-2012

DATA SHEET

Three-phase induction motor - Squirrel cage rotor

Customer :
Product line : Cooling Tower Motors : NEMA Premium

Frame : 182T
Output : 1.5 HP
Frequency : 60 Hz
Poles : 6
Full load speed : 1165
Slip : 2.92 %
Voltage : 200 V
Rated current : 5.49 A
Locked rotor current : 43.9 A
Locked rotor current (I_L/I_n) : 8.0
No-load current : 3.74 A
Full load torque : 6.67 lb.ft
Locked rotor torque : 320 %
Breakdown torque : 400 %
Design : B
Insulation class : F
Temperature rise : 80 K
Locked rotor time : 16 s (hot)
Service factor : 1.25
Duty cycle : S1
Ambient temperature : -20°C - +40°C
Altitude : 1000
Degree of Protection : IP55
Approximate weight : 70 lb
Moment of inertia : 0.48789 sq.ft.lb
Noise level : 52 dB(A)

	D.E.	N.D.E.	Load	Power factor	Efficiency (%)
Bearings	6307 2RS	6206 2RS	100%	0.66	87.5
Regreasing interval	---	---	75%	0.56	86.5
Grease amount	---	---	50%	0.45	84.0

Notes:

Performed by

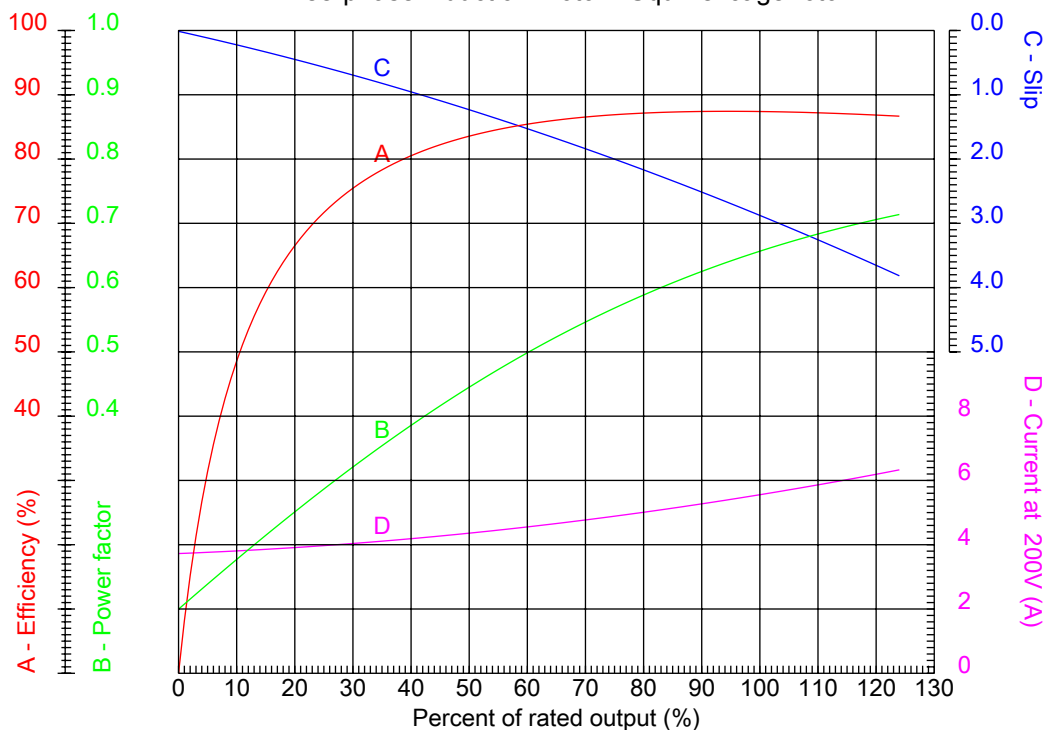
Checked



No.:

Date: 31-DEC-2012

PERFORMANCE CURVES RELATED TO RATED OUTPUT Three-phase induction motor - Squirrel cage rotor



Customer :
Product line : Cooling Tower Motors : NEMA Premium

Frame	: 182T	Locked rotor current (I _l /I _n)	: 8.0
Output	: 1.5 HP	Duty cycle	: S1
Frequency	: 60 Hz	Service factor	: 1.25
Full load speed	: 1165	Design	: B
Voltage	: 200 V	Locked rotor torque	: 320 %
Rated current	: 5.49 A	Breakdown torque	: 400 %
Insulation class	: F		

Notes:

Performed by

Checked

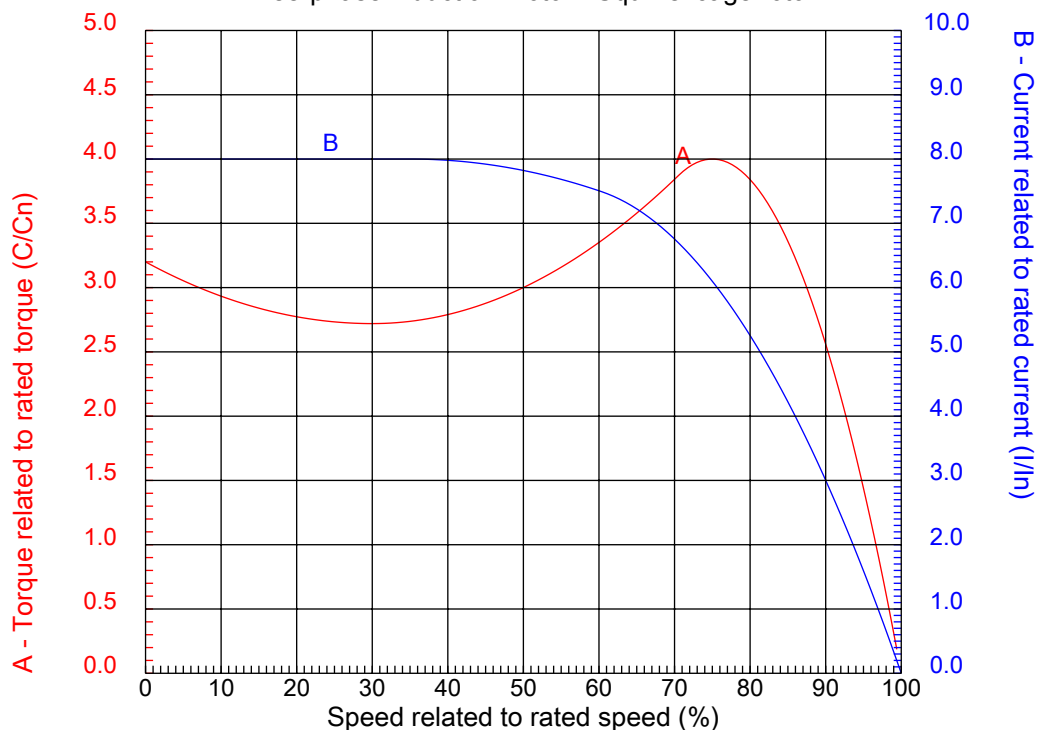


No.:

Date: 31-DEC-2012

CHARACTERISTIC CURVES RELATED TO SPEED

Three-phase induction motor - Squirrel cage rotor



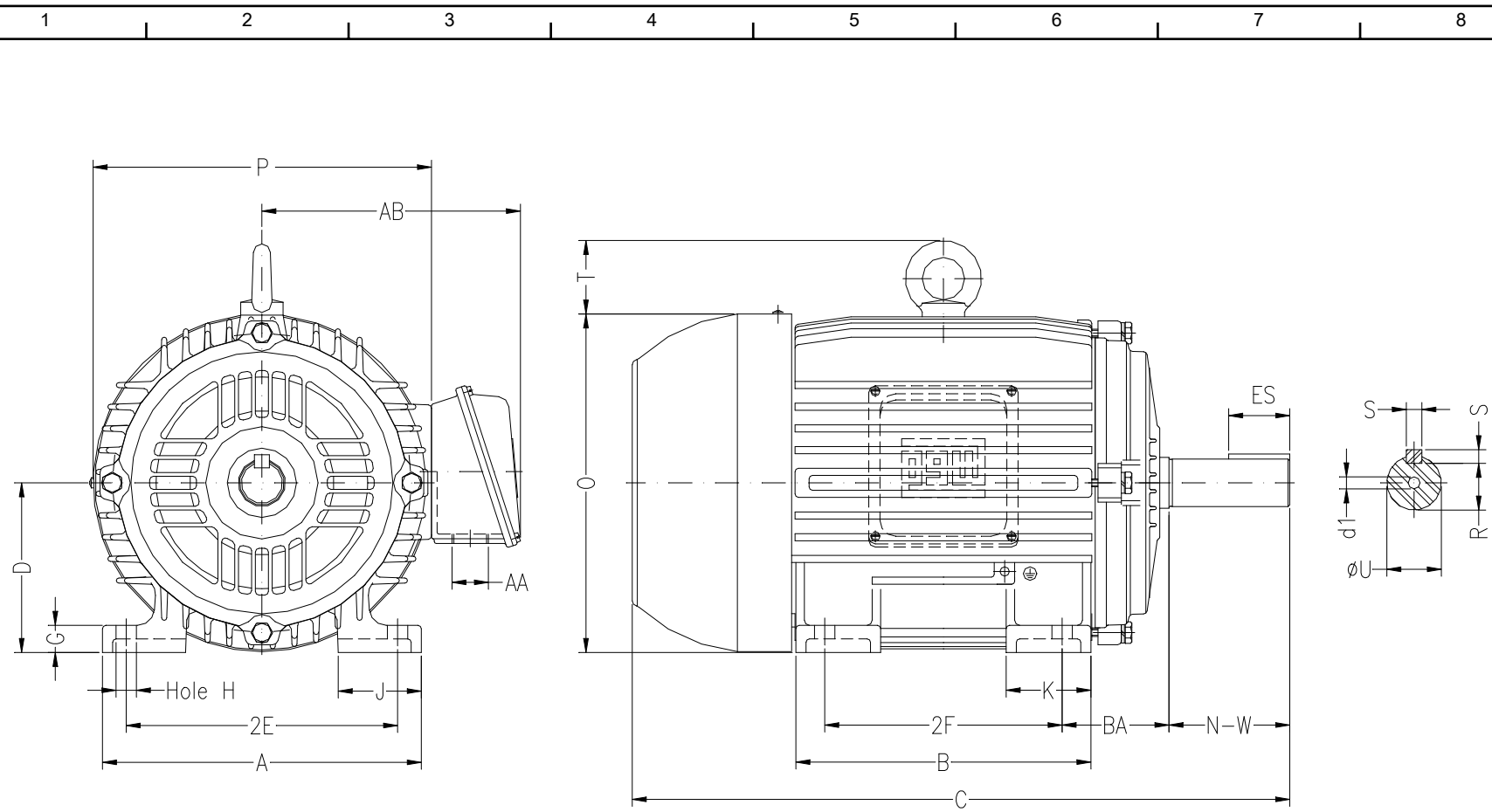
Customer :
Product line : Cooling Tower Motors : NEMA Premium

Frame	: 182T	Locked rotor current (I _l /I _n)	: 8.0
Output	: 1.5 HP	Duty cycle	: S1
Frequency	: 60 Hz	Service factor	: 1.25
Full load speed	: 1165	Design	: B
Voltage	: 200 V	Locked rotor torque	: 320 %
Rated current	: 5.49 A	Breakdown torque	: 400 %
Insulation class	: F		

Notes:

Performed by

Checked



Notes:

Performed by:

Checked:

Customer:

Cooling Tower Motors : NEMA Premium

Three-phase induction motor
Frame 182T - IP55

31-DEC-2012



2E	2F	H	BA	A
7.500	4.500	0.406	2.750	8.661
B	C	D	G	J
5.945	14.860	4.500	0.720	1.890
K	O	P	ES	S
1.969	9.343	8.740	1.969	0.250
N-W	U	R	AB	AA
2.750	1.125	0.984	7.086	NPT 1"
d1	Flange	AJ	AK	BD
A 4	FD-254	10.000	9.000	11.000
BF	BB			
0.562	0.203			