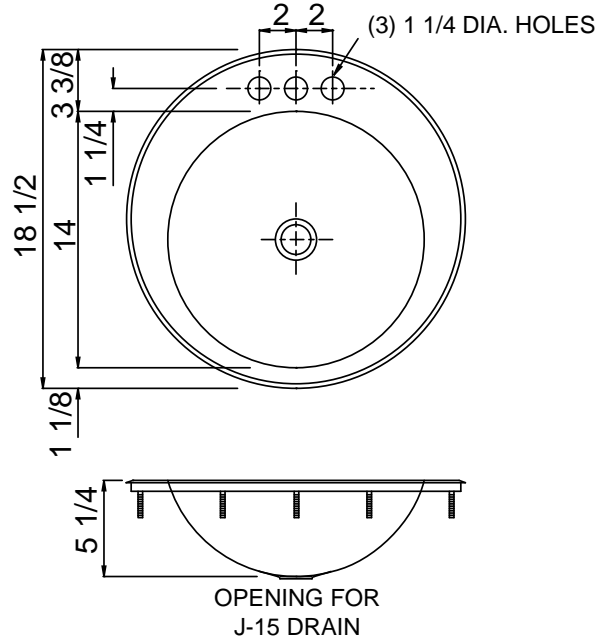
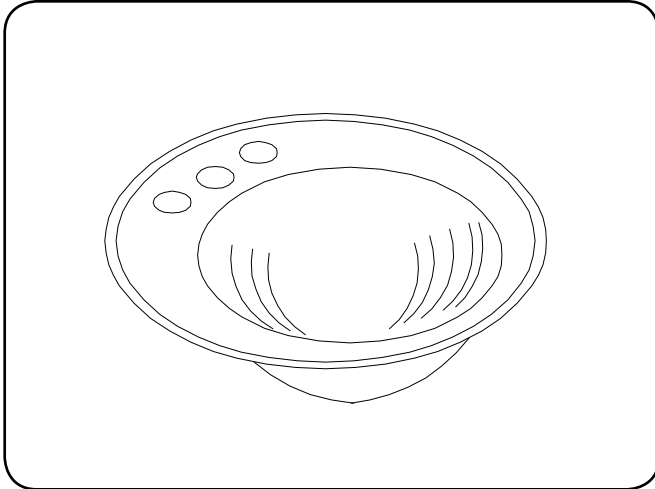




CLR-ADA-14
STYLIST GROUP
ADA COMPLIANT
ROUND LAVATORY
with FAUCET LEDGE

SUBMITTAL DATA



SPECIFICATION

Seamless construction of 18 gauge, type 304, 18-8 stainless steel. Interior and top surfaces polished to a non-porous Hand-Blended Just Finish . Fully coated underside insulates for sound, and reduces condensation. Self-rimming top mount. Conforms to ASME/ANSI A112.19.3M. Drain punch Just J-15 drain.

To Be Specified:	
<input checked="" type="checkbox"/> Faucet Hole Punching:	
<input type="checkbox"/> (1) Hole Centered	
<input type="checkbox"/> (2) Holes on 4" centers	
<input type="checkbox"/> (3) Holes on 2 "centers(illustrated)	
<input type="checkbox"/> Alternate Punching: Faucet Model: _____	Punching required: _____

APPROVED FOR MANUFACTURING	
MODEL NO.:	QTY:
JOB NAME: _____	
TAG/ITEM: _____	
CUSTOMER: _____	
SIGNATURE: _____	



JUST MFG. COMPANY CONTINUES TO MAKE QUALITY AND FUNCTIONALITY A MARK OF THE JUST PRODUCT LINE. TO DO SO REQUIRES THAT WE RESERVE THE RIGHT TO CHANGE PRODUCT INFORMATION WITHOUT NOTICE. DIMENSIONS MAY VARY AND ARE SUBJET TO CHANGE WITHOUT NOTICE. NO RESPONSIBILITY IS ASSUMED FOR USE OF SUPERCEDED OR VOIDED DATA. FOR THE MOST CURRENT AND ACCURATE INFORMATION REGARDING THE COMPLETE LINE OF JUST SINKS, FAUCETS AND DRAINS, CLICK ON THE **SPEC LINE DRAWINGS** LINK ON OUR WEB SITE AT www.justmfg.com