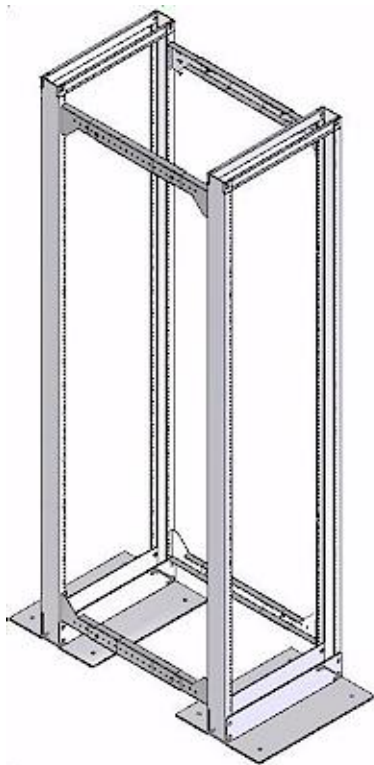


# 2 Post to 4 Post Conversion Add On Kit And Wall Mount Extensions Installation Instructions



## **Step 1**

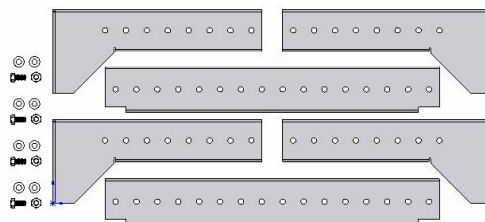
Remove all contents from the box and make sure all of the following parts are accounted for.

### **Box Contents**

- 2 Center Arms
- 2 Left Arms
- 2 Right Arms
- 4 1/4 X 20 Bolts
- 4 1/4 X 20 Nuts
- 8 Washers
- 1 Instruction Sheet

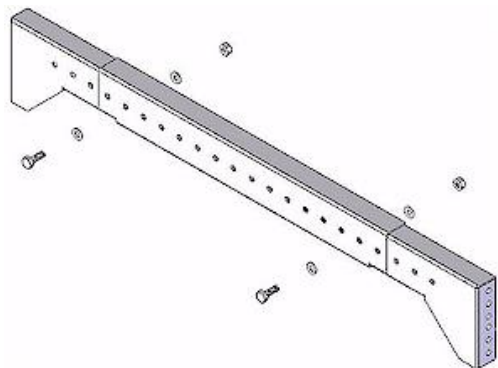
### **Tools Required**

2 1/2" wrench or sockets  
**(You will also need mounting hardware specific to your rack or wall mount application)**



## **Step 2**

Assemble each of the 2 arm assemblies as shown. Be sure the center arm is centered on the left and right arms so the weight of the rack will be evenly distributed. In the example at the right, there are 3 holes on the left and 3 holes on the right of the center arm. A general rule of thumb: The longer you make the arm assembly, the less strength your rack will have overall. Extending the arm to its last possible position may result in your rack becoming unstable. This is also greatly dependent on the type of 2-post racks you are using. For example, a steel railed rack will be much more stable than an aluminum railed rack.



## **Step 3 (For wall mount applications skip to the next step)**

Mount one arm at a time to each rack using the correct screws for your rack type, placing them at the upper corners. If this kit is being used in addition to the 4 piece kit, mount the conversion arms in the center of the rack or the mid position.

For most installations, 3 screws per arm will be sufficient. The more screws that you use to mount the arms to your 2-post racks, the stronger the overall rack will be. Each arm allows for 8 screws per side.

### **Wall Mount Installation**

For wall mount application, install the arms as shown to the right and attach the opposite end to the wall. We recommend using a piece of plywood or similar material to attach the arms too. Then attach the plywood to the wall using anchor bolts directly into the wall studs.

